

Chemistry 100

Name: _____

Worksheet 11

For the following, where the name is given, write the full structure showing all atoms and bonds. Where the structure is given, write the name using the rules shown in class.

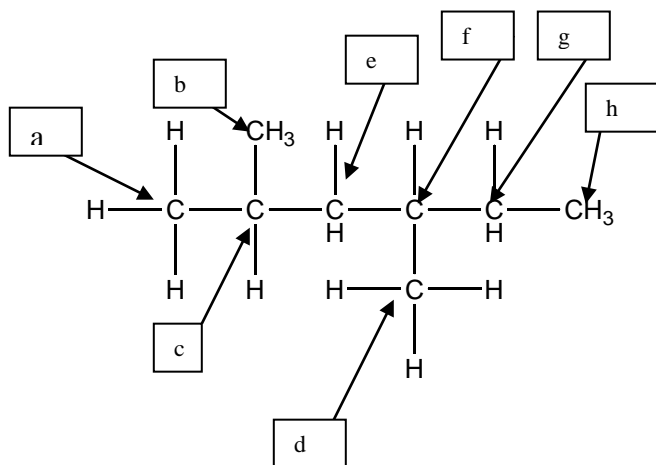
	Name	Structure
1.		
2.		
3.		
4.		
5.		
6.		
7.		

8.		
9.		
10.		
11.		
12.		

Show 5 different ways to draw C_6H_{14} and name each

Name:	Name:	Name:
Name:	Name:	

Label the following carbons as primary, secondary or tertiary:



a.	
b.	
c.	
d.	
e.	
f.	
g.	
h.	