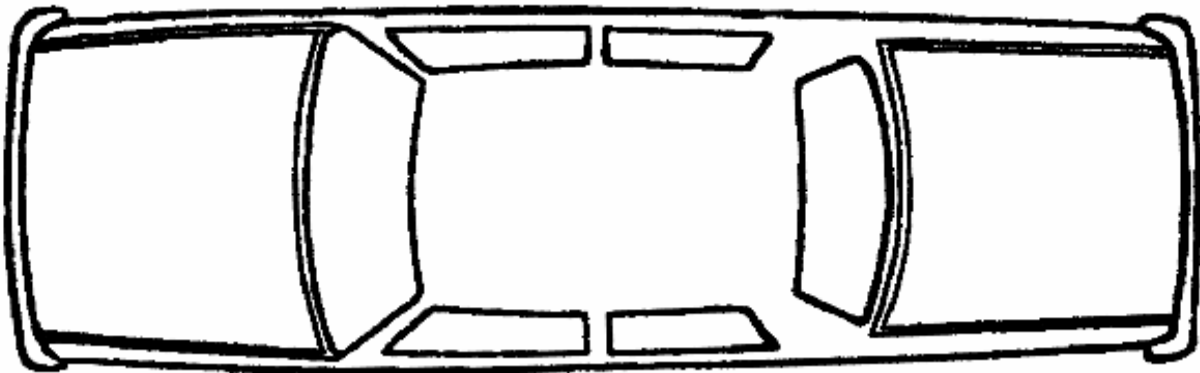
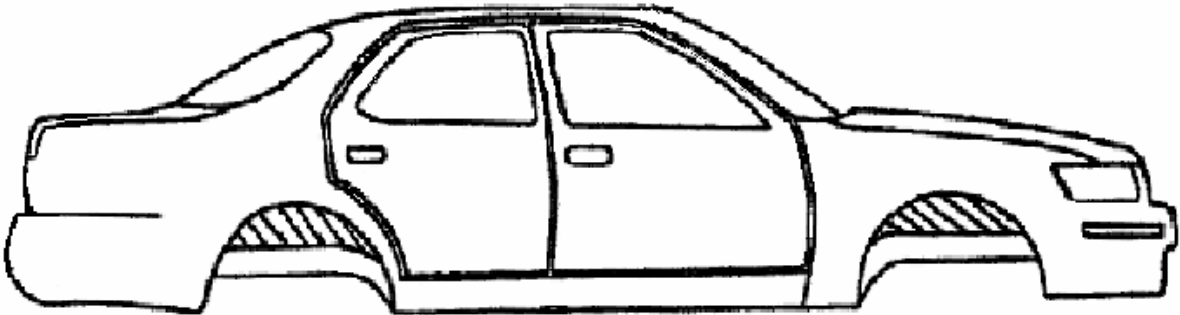
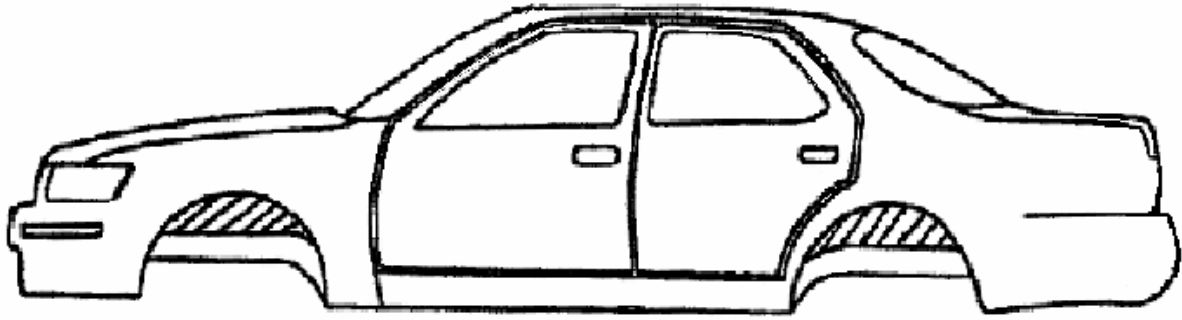


Visual Inspection Worksheet

4-Door Sedan



Structural Damage Expected

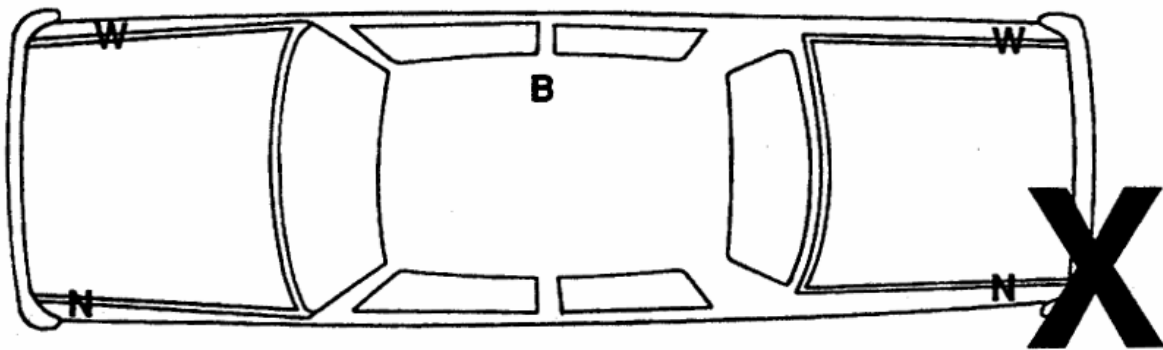
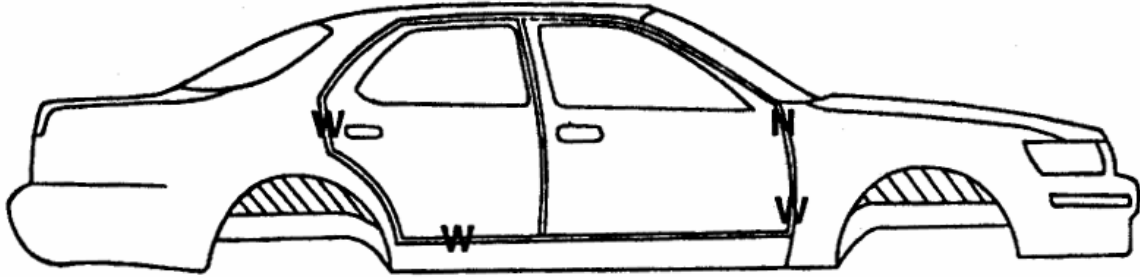
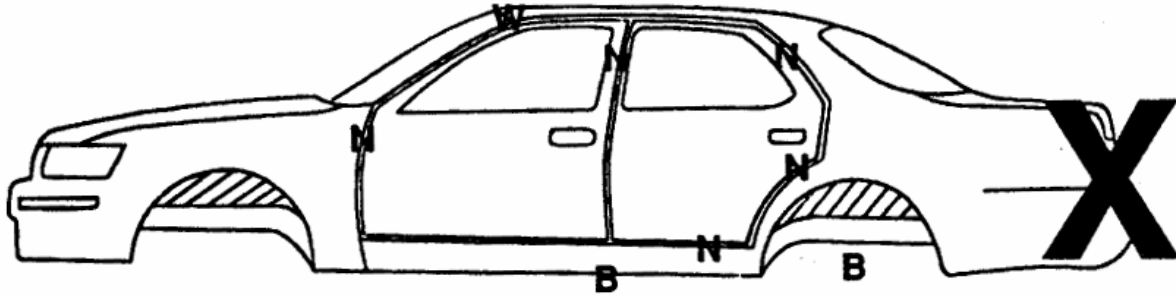
Front Section: _____

Center Section: _____

Rear Section: _____

Additional: _____

VISUAL INSPECTION WORKSHEET — 4 DOOR



Structural Damage Expected

Front Section: sway left, high (possibly higher on right front)

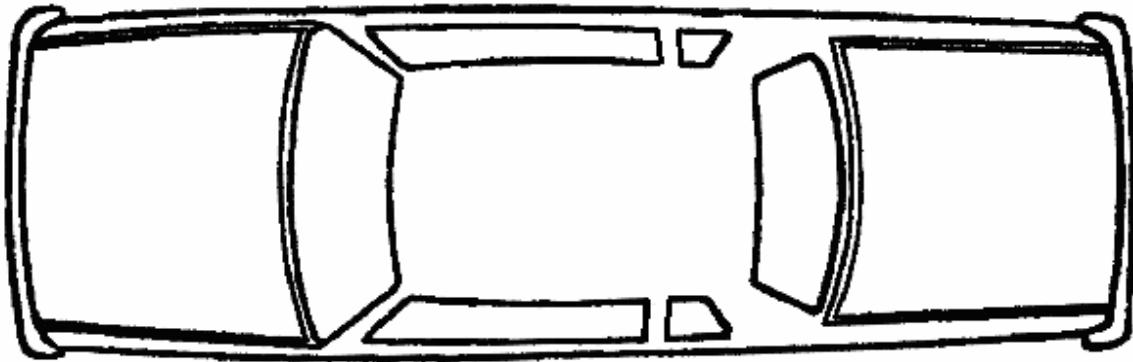
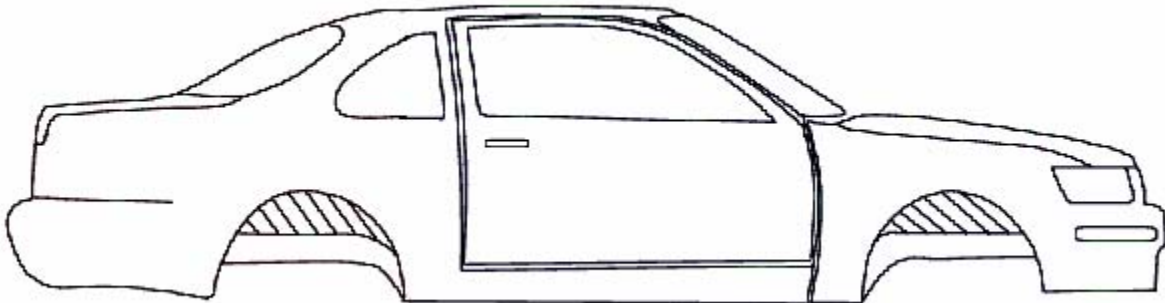
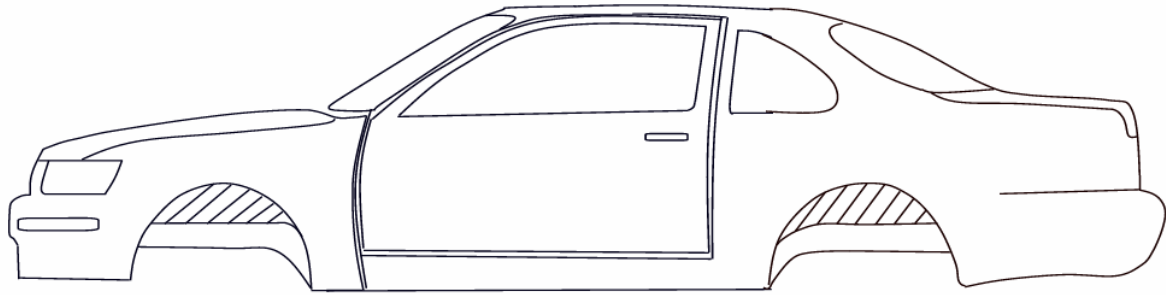
Center Section: possible twist, roof buckle, buckle left rocker panel, torn welds at left rocker panel, dog leg area

Rear Section: short rails, high, sway left

Additional: rear suspension area high, collapsed rear crossmember, buckled floor

Visual Inspection Worksheet

2-Door



Structural Damage Expected

Front Section: _____

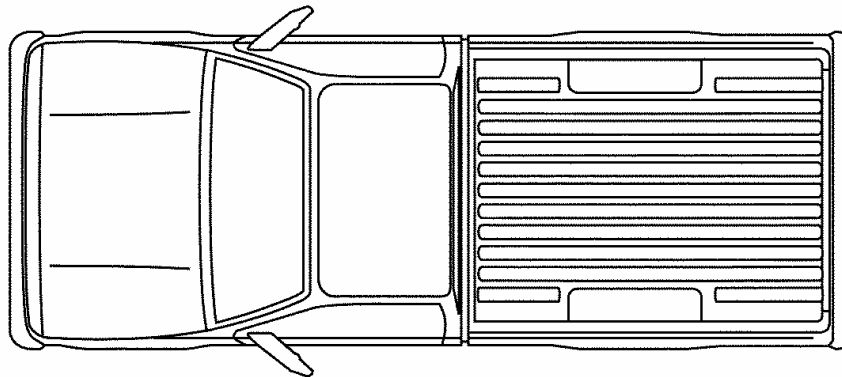
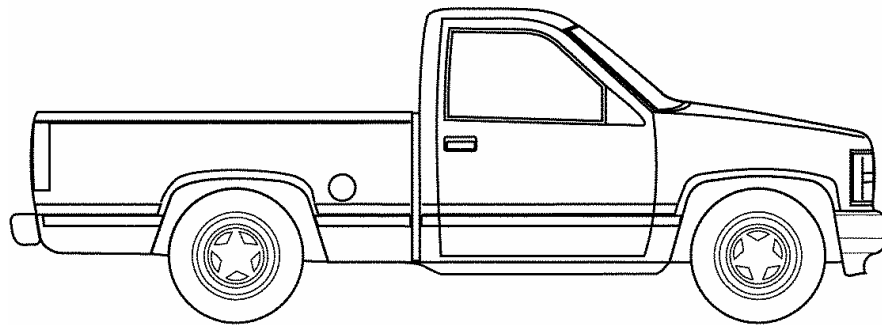
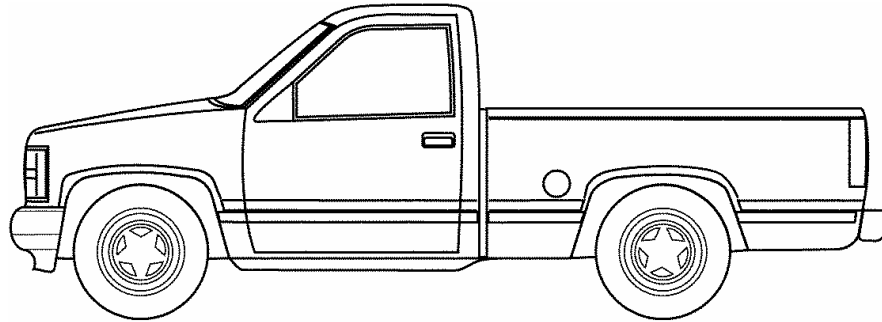
Center Section: _____

Rear Section: _____

Additional: _____

Visual Inspection Worksheet

Pickup Truck



Structural Damage Expected

Front Section: _____

Center Section: _____

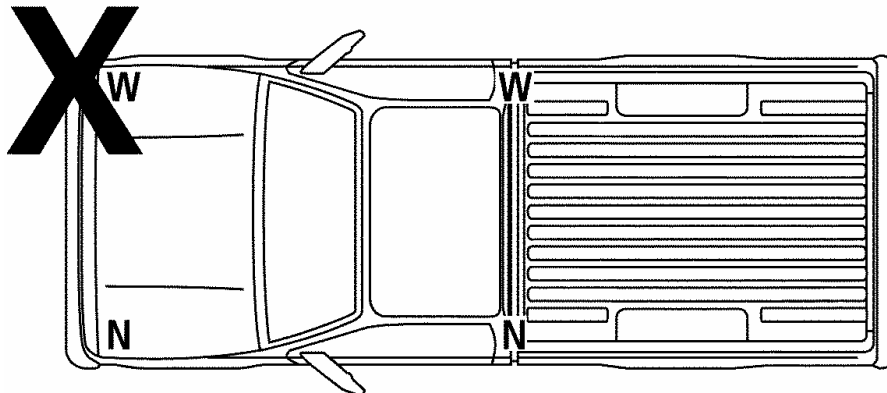
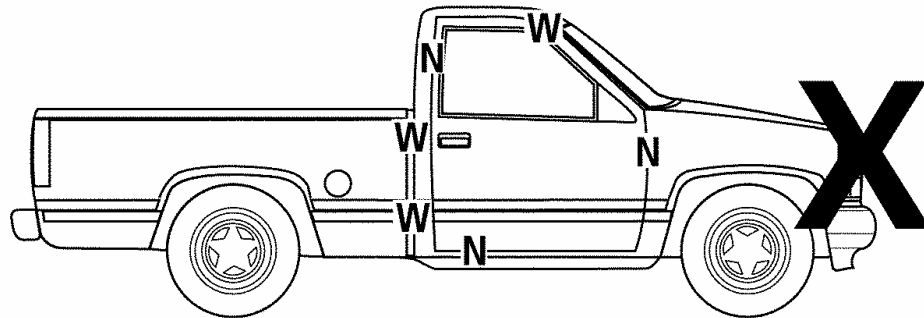
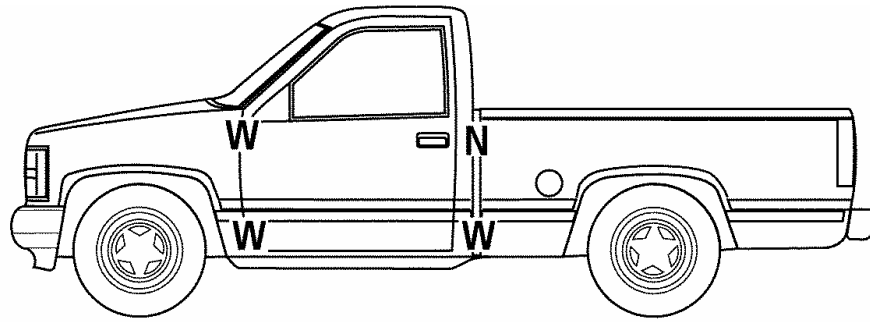
Rear Section: _____

Additional: _____

Visual Inspection Worksheet

Pickup Truck

EXAMPLE



Structural Damage Expected

Front Section: Swayed right, high, higher on right

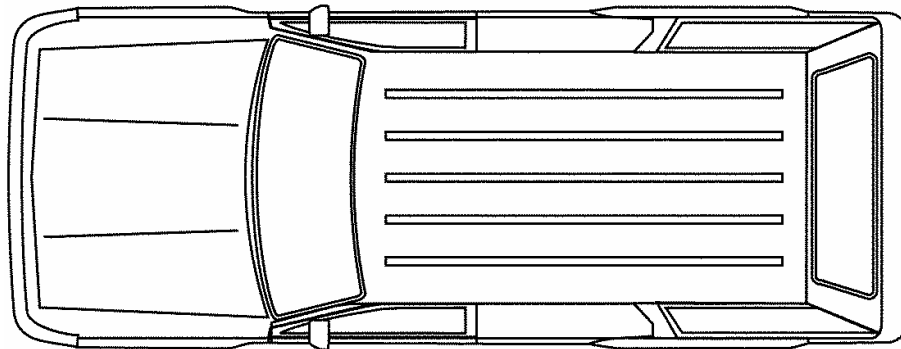
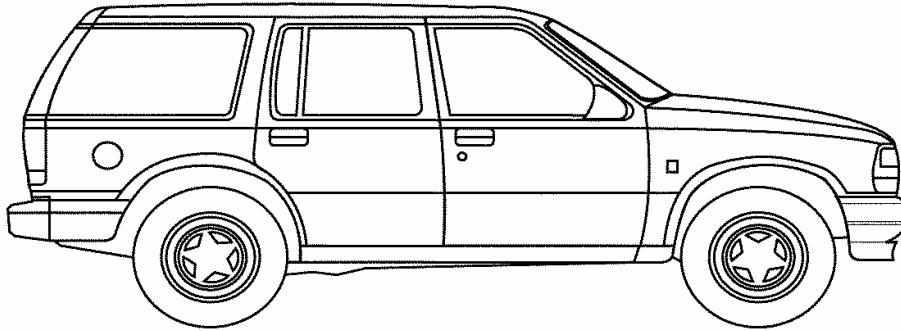
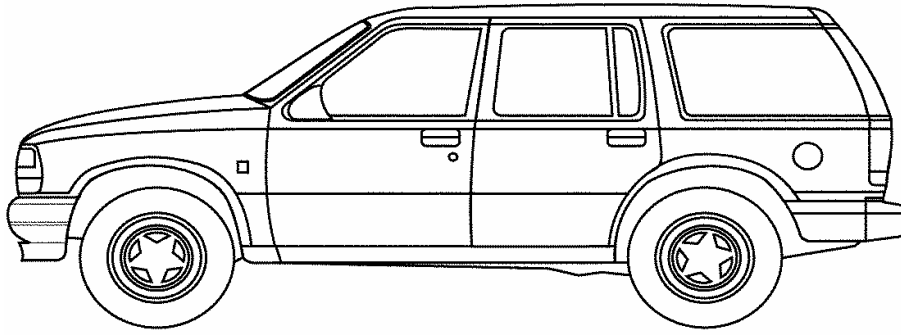
Center Section: Diamond, twist

Rear Section: High on left, swayed left (possibly result of diamond)

Additional: Front suspension high, short right front rail, damaged front frame horns, cab mounts misaligned.

Visual Inspection Worksheet

Sport Utility Vehicle



Structural Damage Expected

Front Section: _____

Center Section: _____

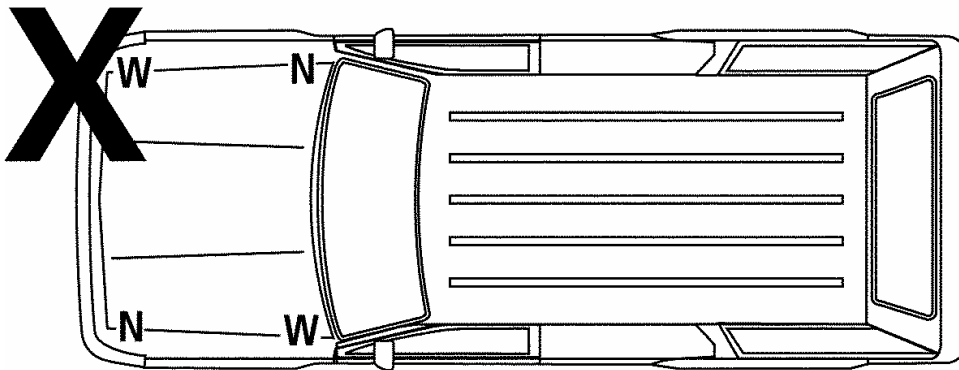
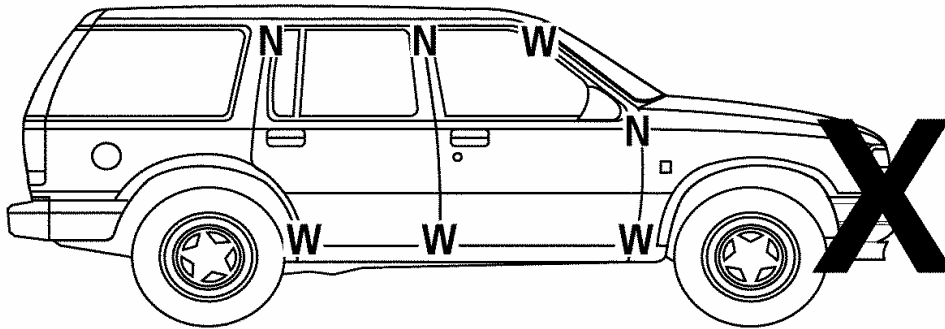
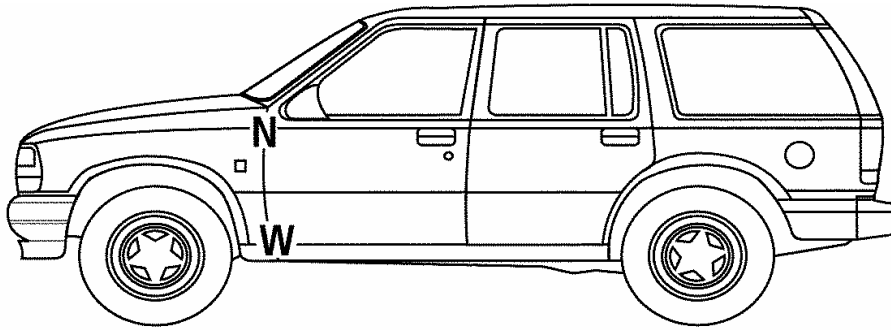
Rear Section: _____

Additional: _____

Visual Inspection Worksheet

Sport Utility Vehicle

EXAMPLE



Structural Damage Expected

Front Section: Swayed right, high on both sides

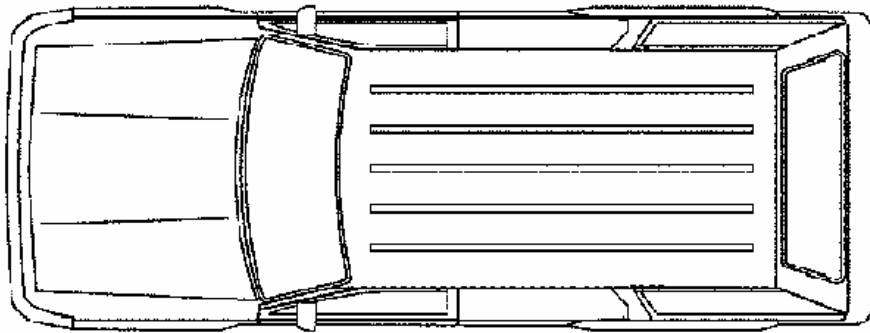
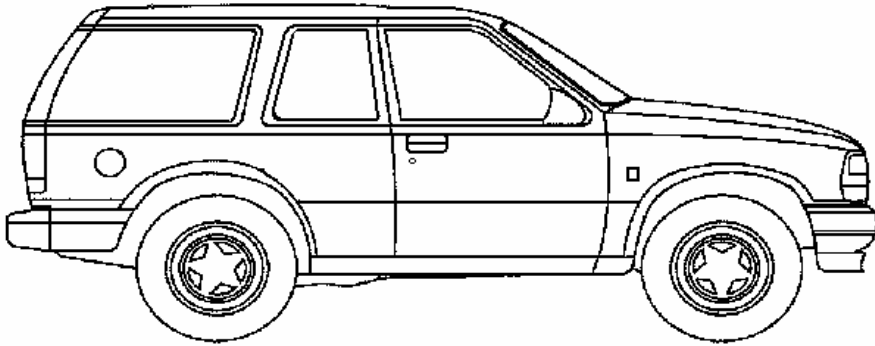
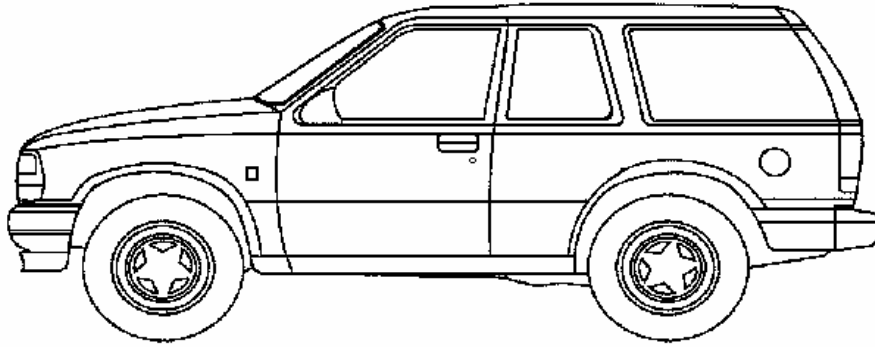
Center Section: Twist

Rear Section: High on right side

Additional: Front suspension high, short right front rail, damaged front frame horn, body mounts misaligned

Visual Inspection Worksheet

Sport Utility Vehicle (2 door)



Structural Damage Expected

Front Section: _____

Center Section: _____

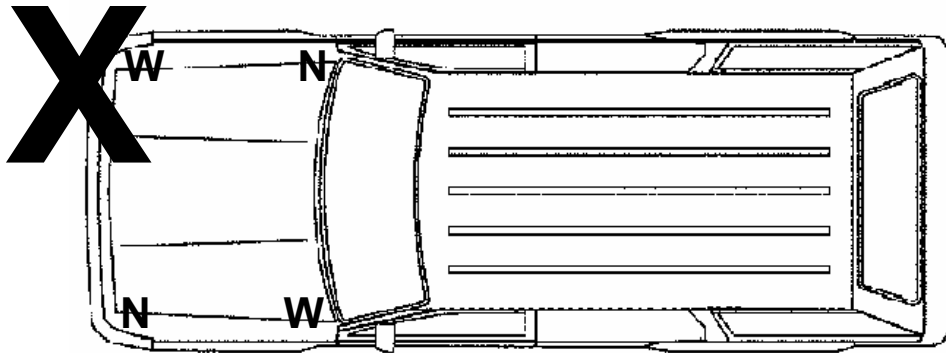
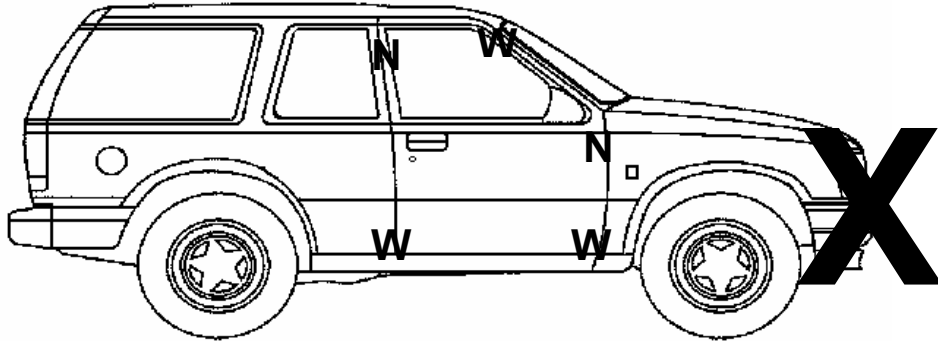
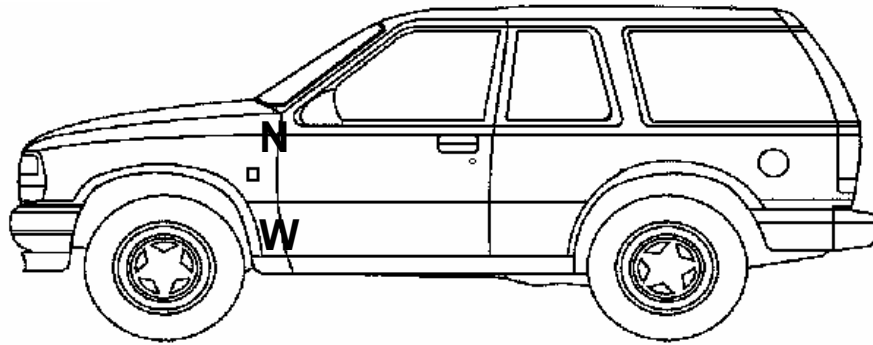
Rear Section: _____

Additional: _____

Visual Inspection Worksheet

Sport Utility Vehicle (2 door)

EXAMPLE



Structural Damage Expected

Front Section: Swayed right, high on both sides

Center Section: Twist

Rear Section: High on right side

Additional: Front suspension high, short right front rail, damaged front frame horn, body mounts misaligned