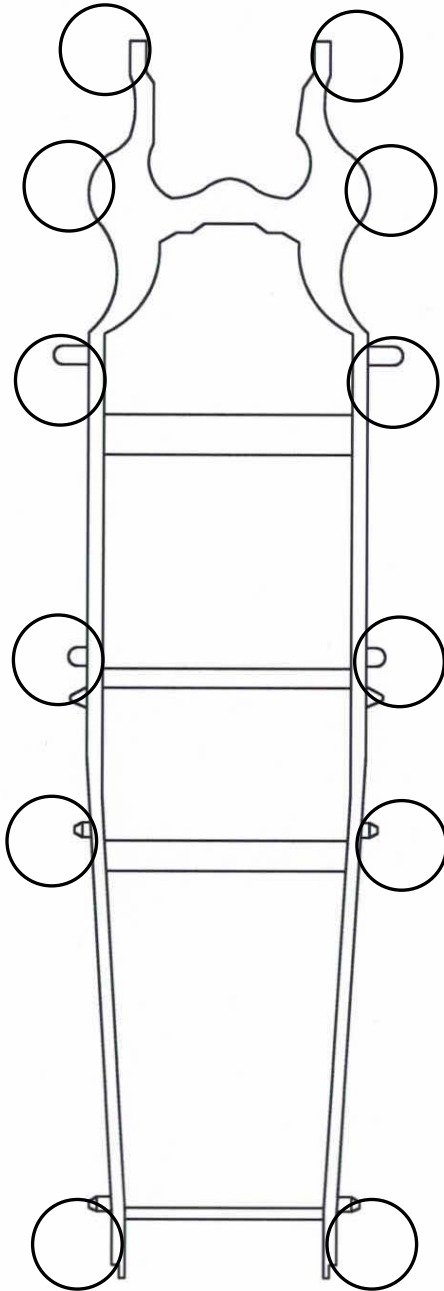


## PICKUP DAMAGE ANALYSIS DIRECTIONS DIAGRAM

Use these symbols to indicate the damage:

<u>DAMAGE</u>	<u>SYMBOLS</u>
Twist .....	(Twist)
Control Point <b>LOW</b> .....	L
Control Point <b>HIGH</b> .....	H
Control Point <b>OKAY</b> .....	OK
Centerline .....	X
Centerline Misalignment .....	X →
Short Rail .....	SR ↓
Collapsed Suspension Crossmember .....	← 1" →
Diamond .....	D ↓

# Pickup Damage Analysis



## FRONT SECTION

---

---

---

---

---

---

---

## CENTER SECTION

---

---

---

## REAR SECTION

---

---

---

---

## SUSPENSION/STEERING

---

---

---

---

## OTHER

---

---