

MESSAGE FROM THE PRESIDENT



Welcome to the Fall Semester! I hope you are as excited as I am to start the academic year.

Whether you plan to head into the workforce or transfer to a four-year university, the next phase of your life will begin when you enroll here as a Cerritos College student. We have been recognized nationally for our innovation and commitment to student success, and our dedicated faculty and staff are here to help you navigate college life and meet your goals. We offer a comprehensive range of student support services and resources designed to help you succeed, and there are many ways to become involved in campus life through student clubs and leadership opportunities.

We strive to meet the needs for the intellectual, social, ethical, professional, cultural, and creative facets of students' lives. You can take one class or a full load of 12 units. You can learn in our classrooms and laboratories, or you can take courses online. We want to prepare you for the future so that the skills you learn today will support you tomorrow.

Thank you for considering us. If you are already part of our family, I hope you're enjoying your experience. I look forward to you joining us here at Cerritos, and hope to shake your hand when you earn your diploma.

Sincerely,

Dr. Jose L. Fierro
President/Superintendent

OUR MISSION

Cerritos College values its diverse student population and is committed to providing these students with high quality, comprehensive, instructional programs and support services that improve student success and offer clear pathways to achieve personal, educational, and career goals. In doing so, the college develops in students the knowledge, skills, and values that prepare them to be productive participants in the global community.

SERVING THE COMMUNITIES OF

Artesia, Bellflower, Cerritos, Downey,
Hawaiian Gardens, La Mirada, Norwalk



AND PORTIONS OF

Bell Gardens, Lakewood, Long Beach,
Santa Fe Springs, South Gate

CERRITOS COMMUNITY COLLEGE DISTRICT ADMINISTRATION

JOSE L. FIERRO, D.V.M., Ph.D.
President/Superintendent

RICK MIRANDA
Vice President of Academic Affairs/Assistant Superintendent

FELIPE R. LOPEZ
Vice President of Business Services/Assistant Superintendent

ADRIANA FLORES-CHURCH, Ed.D
Vice President of Human Resources/Assistant Superintendent

DILCIE PEREZ, Ed.D
Vice President of Student Services/Assistant Superintendent

BOARD OF TRUSTEES

CARMEN AVALOS
President

MARISA PEREZ
Vice President

MARTHA CAMACHO-RODRIGUEZ
Clerk

JAMES CODY BIRKEY
Member

ZURICH LEWIS
Member

DR. SHIN LIU
Member

DR. SANDRA SALAZAR
Member

VALERY ESCOBAR
Student Trustee

In accordance with the Americans with Disabilities Act, this information is available in alternate formats (Braille, enlarged type, e-text, etc.) and may be requested by calling (562) 860-2451, Ext. 2335.

ALPHABETICAL TABLE OF CONTENTS

Cerritos Community College District

Academic Information	20-22
Admission and Enrollment of Special Admit Minors	29
Admission and Orientation	6,7
Adult Education Non-Credit Classes	103-108
Alcohol and Drug Policy	147
(ASCC) Associated Students of Cerritos College Rights/Responsibilities/Policies	135-146
Assessment/Placement	8
Attendance and Grading	27
Auditing of Courses	22
Calendar of Important Dates	3
Campus Map	150
Campus Phone Extensions	148
Chicano Studies	110
Class Listings	31-102
Counseling and Follow-up	9
Course Listings	151
Course Repeatability	25-26
Credit by Exam	22
Disabled Student Programs and Services	133
Distance Education Courses	115-119
Enrollment Instructions	15
Enrollment Appointment Priority	4-5
Family Educational Rights and Privacy Act (FERPA)	121
Fees/Refund Information and Procedures	19
Final Exam Schedule	149
Financial Assistance	28
General Education Requirements for the AA Degree and for Transfer to the CSU and UC	121-128
Información en Español	10-14, 132
International Student Services	30
Learning Communities	113-114
Northwood University	17
Pass/No Pass Classes	23-24
Paying your Fees	16
Reading the Class Schedule	18
Scholars' Honors Program	111
Services for Students	129-131
Sexual and Gender-Based Misconduct	120
Site Locations (off campus)	109
Student Services and Policies	135-146
Student Success and Support Program (SSSP)	4-6
Success Center	134
Wait List	17
Women's and Gender Studies	112

CLASS SCHEDULE

31 – 102

GENERAL CLASS LISTINGS

- General Class Listings 31-97
- Short-Term Classes 98-101
- Weekend Classes 102

103 – 108

ADULT EDUCATION NON-CREDIT CLASSES

- Apprenticeship Programs
Firesprinklers, Painters, and Ironworkers
- Pre-Apprenticeship
- Adult Education
 - ESL
 - VESL
 - Basic English (College English Skills)
 - Basic Math (Preparatory Mathematics)
 - High School Equivalency
 - Literacy Skills for General Education
Development (GED) Success
 - Supplemental General Education
Development (GED) Math
 - Spanish Literacy Skills for General
Education Development (GED) Success
 - Spanish Supplemental General
Education Development (GED) Math
 - Occupational Preparation
 - Citizenship
 - College Math Support
 - College English Support
- Introduction to Energy Surveying
Introduction to Automotive Tools and
Equipment
- Courses for Older Wiser Learner
- Plaza Community (Spanish Literacy)

113 – 114

LEARNING COMMUNITIES

115 – 119

DISTANCE EDUCATION COURSES

*From science to technology to
the humanities, at Cerritos College,
our focus is teaching, learning
and academic excellence.*

If you have questions or need information in Spanish about Cerritos College, please call the Admissions and Records Office at (562) 860-2451, extension 2211. Office hours are Monday through Thursday, 8 am – 7 pm; Friday, 8 am – 12 pm. Additional information is available in Spanish on pages 10-14 and 132.

Si usted tiene preguntas o necesita información en español acerca del Colegio de Cerritos, llame por favor a la Oficina de Admisiones y Registro al número (562) 860-2451, extensión 2211. El horario de oficina es Lunes a Jueves, 8 am – 7 pm; Viernes, 8 am – 12 pm. Información adicional está disponible en español en las páginas 10-14 y 132.

FALL 2019 CALENDAR OF IMPORTANT DATES

ENROLLMENT BEGINS JUNE 3, 2019

For information on assignment of enrollment priorities, please refer to the section titled, "Enrollment Appointment Priority" in this schedule of classes.

MYCERRITOS APPLICATION/ENROLLMENT HOURS:	
Monday – Saturday	2 am – midnight
Sunday	8 am – midnight

ADMISSIONS AND RECORDS OFFICE FEE PAYMENT HOURS:	
Monday – Thursday	8 am – 6:30 pm
Friday	8 am – 11:30 am

**Session Dates and Deadlines are now available online at:
www.cerritos.edu/add-drop-dates**

IMPORTANT DATES:	
First day to file a petition for A.A. Degree and Certificate for Fall 2019	August 19
Labor Day Holiday	September 2
Last day to file petition for A.A. Degree and Certificate for Fall 2019	September 2
Veterans Day Holiday	November 11
Thanksgiving Recess	November 28 – December 1
Final Exams	December 16–20

CERRITOS COLLEGE OFFERS APPLICATION AND ENROLLMENT VIA THE WEB.	
<p style="text-align: center;">For Online Submission of Admissions Applications:</p> <p>Visit www.cerritos.edu. Under the "Students" section, click on "Future Students Apply". Then, under the "Future Students Links", click on "Apply Online".</p>	<p style="text-align: center;">For Online Enrollments:</p> <p>Visit www.cerritos.edu. Under the "Students" section, click on "MyCerritos". Then, click on "Student Center".</p>

*An application must be submitted for new, returning, and transfer students prior to enrollment. For continuing students, a user ID number (7-digit student ID-example 0123456) and Password (6-digit date of birth-mmddyy) are required.

EMERGENCY INFORMATION
<p>In the event of an emergency, the Cerritos College Emergency Information web page (http://www.cerritoscollege.us/) may be used to secure updated information about any emergency event occurring on the Cerritos College campus. The College also offers an SMS-based emergency notification service for mobile phones. In the event of an emergency, Cerritos students, staff, faculty, and others will be alerted in real-time to important security information. You may sign-up for Emergency Text Alerts by texting the keyword "CERRITOS" to 226787.</p>

DISCLAIMER
<p><i>Cerritos College has made reasonable efforts to ensure the accuracy of the information contained in this Schedule of Classes at the time of publication. The College reserves the right to add to, amend, or repeal any of the rules, regulations, policies and procedures, or any other content, consistent with applicable regulations and laws. Content is subject to change without notice by the administration for reasons of student enrollment, level of financial support, or for any other reason at the discretion of the College. The Schedule of Classes does not constitute a contract or the terms of a contract. The Schedule of Classes is not intended to promulgate all policies, procedures, rules, and regulations of partner organizations, transfer institutions, the College, or the Cerritos Community College District. Students are advised to consult the online version of this schedule of classes and to contact Counseling Services or the applicable administrative office for additional information.</i></p>

ANNUAL SECURITY REPORT
<p><i>Cerritos College publishes an Annual Security Report in accordance with the Clery Act. This report includes statistics for the previous three years concerning reported crimes that occurred on-campus; in certain off-campus buildings or property owned or controlled by Cerritos College; and on public property within, or immediately adjacent to and accessible from, the campus. This report also includes institutional policies concerning campus security, such as policies concerning sexual assault, and other matters. You can obtain a copy of this report by contacting the Campus Police Department in person or at (562) 860-2451, extension 3202. This report is also available on the college website at www.cerritos.edu/securityreport.</i></p>

STUDENT SUCCESS AND SUPPORT PROGRAM (SSSP)

Information is also available in Spanish on pages 10-14.
Información en español también está disponible en las páginas 10-14.

STUDENT RIGHTS AND RESPONSIBILITIES

- (a) All students shall be required to:
 - (1) identify an education and career goal;
 - (2) diligently engage in course activities and complete assigned coursework; and
 - (3) complete courses and maintain progress toward an education goal and completing a course of study.
- (b) Nonexempt first-time students shall, within a reasonable period of time, be required to:
 - (1) identify a course of study;
 - (2) be assessed to determine appropriate course placement;
 - (3) complete an orientation provided by the college;
 - (4) participate in counseling, advising, or another education planning service to develop an abbreviated student education plan (A-SEP).
- (c) For the purposes of this section, a first time student is a student who enrolls at the college for the first time, excluding students who transferred from another institution of higher education. For the purposes of this section, first time enrollment does not include concurrent enrollment during high school. To the extent that a college has the capacity to require and provide the services identified in (b)(1) through (4) to other students, nothing in this section would preclude a college from doing so.
- (d) Nonexempt students who have completed the services identified in (b)(1) through (4) shall be required to complete a comprehensive student education plan (C-SEP) after completing 15 semester units of degree applicable credit course work or prior to the end of the 3rd semester, or a shorter period if required by district or program policy.
- (e) Failure to fulfill the required services listed in (b) may result in a hold on a student's registration or loss of registration priority until the services have been completed.

INSTITUTIONAL RESPONSIBILITIES

- (a) The college shall take steps to ensure that information regarding matriculation policies is accessible and available to all students during, or prior to, enrollment (e.g. during orientation) and is included in class schedules, catalogs, or other appropriate communications describing student rights and responsibilities.
- (b) Once the student has identified a course of study and completed 15 semester units of degree applicable course work, the college shall provide the student with an opportunity to develop a comprehensive student education plan (C-SEP) within a reasonable time period. Student responsibilities shall also be identified in the student's education plan.
- (c) College policy provides that a nonexempt student will have a hold placed on enrollment if a student fails to fulfill the responsibilities set forth in the section, "Student Rights and Responsibilities".
- (d) The college shall make reasonable efforts to avoid duplication of the orientation, assessment, counseling, advising, or other education planning services, and development of student education plans funded through this subchapter or funded through other programs.

- (e) It is intended that the instructional and student services area of the college shall use multiple sources of data from student education planning efforts and identified courses of study to coordinate course scheduling.

ENROLLMENT APPOINTMENT PRIORITY

including Orientation, Assessment, Counseling, Student Education Plans, Tier Groups, Probation

The purpose of establishing enrollment priorities is to support students endeavoring to reach their educational goals at Cerritos College by providing priority enrollment to groups of students (as listed herein) with special needs and/or who are in continuing student status, as long as satisfactory progress is made.

PRIORITY ENROLLMENT CRITERIA AND CONDITIONS

- A. Priority
 - 1. New students not otherwise exempt, including those in any state-provided priority enrollment groups, must complete assessment, orientation, and counseling with at least an abbreviated student education plan (A-SEP), in order to receive priority enrollment.
 - 2. First-time students, beginning with Spring 2019 enrollment, who have identified a course of study, been assessed to determine appropriate course placement, completed an orientation program provided by the college, and participated in counseling, advising, or another education planning service including at least an abbreviated student education plan (A-SEP), are required to complete a comprehensive student education plan (C-SEP) after completing 15 units of degree-applicable credit course work, or prior to the end of the 3rd semester of enrollment, resources permitting.
 - 3. Continuing students, including those in any state-provided priority enrollment groups, except eligible current and former foster youth, are subject to loss of the enrollment priority for which they would ordinarily be eligible if they are on any combination of progress or academic probation for two consecutive semesters.
 - 4. Continuing students, including those in any state-provided priority enrollment groups, except eligible current and former foster youth, are subject to loss of the enrollment priority for which they would ordinarily be eligible if they have earned 100 degree-applicable, non-basic skills and non-ESL units. Units for high unit majors and programs may be disregarded to the extent they exceed the number of units required for non-high unit majors and programs. Units from Credit by Exam, Advanced Placement, International Baccalaureate, or other similar programs may also be exempted.
- B. Subject to the above, continuing student enrollment appointments shall be set on the basis of units earned and cumulative grade point average at Cerritos College.
- C. Students subject to enrollment priority exclusion shall have a "PRB" negative service indicator, appearing as a Hold in the Student Center in MyCerritos, placed on their enrollment account. The effect shall be to place the student's access to enroll at the end of the enrollment cycle in the period known as Open Enrollment.

STUDENT SUCCESS AND SUPPORT PROGRAM (SSSP)

- D. Students excluded from enrollment priority shall be notified of options they may have, and/or are advised to exercise. See also the section of this procedure titled "Appeals and Exemptions".

Additional Criteria for Enrollment Priority of Certain Students

- A. Students who are otherwise specified by statute.
- B. Students whose instructional program requires time off-campus or blocks of time associated with scheduled classes for such activities as practice, meetings, counseling, and off-campus time, which limit the choice of class periods.

STUDENT GROUPS WITH PRIORITIES:

Tier 1: Enrollment appointments for students in Tier 1 groups shall be set tier-wide based on units earned and cumulative grade point average, consistent with applicable regulations.

Armed Forces Personnel and Recent Veterans: Students who are any member or former member of the Armed Forces of the United States, who is a resident of California, for any academic term, within four years of leaving active duty (Education Code Section 66025.8).

CalWORKs: Students formally enrolled in the CalWORKs Program (Education Code Section 66025.92).

DSPS: Students who, by their specific disabilities, are enrolled in Disabled Student Programs and Services (Education Code Section 66025.91).

EOPS: Students formally enrolled in Extended Opportunity Programs and Services (Education Code Section 66025.91).

Foster Youth: Students formally deemed eligible current or former foster youth who are up to and including 24 years of age (Education Code Section 66025.9).

Tier 2: Enrollment appointments for students in Tier 2 groups shall be set tier-wide based on units earned and cumulative grade point average, consistent with applicable regulations.

Scholars' Honors Students: Students who have been officially admitted to the College's Scholars' Honors Program each term and are currently enrolling in Scholars' Honors Program courses and/or Scholars' Honors contracts.

Student Athletes: Students who have been identified as eligible to participate in intercollegiate athletics.

Mandatory Enrollment Requirement Students: Students in compliance with program requirements who must maintain full-time status, with completion time requirements, in order to remain in Cerritos College programs and/or who are in grant-funded programs with enrollment priority requirements.

Matriculated Students: Students who, prior to their first semester of enrollment, completed the Admission, Orientation, Assessment, and Counseling components of Matriculation.

Trial, Grant-funded, or Other Special Groups for Student Success: Students in groups identified for enhanced and/or expedited student success measures where trial, grant-funded, and/or other special, short-term measures are employed.

Tier 3: Enrollment appointments for students in Tier 3 groups shall be set in the order of the groups as listed and based on units earned and cumulative grade point average within those groups, consistent with applicable regulations.

Continuing Students: Students who were enrolled in the previous academic year or summer session. Students who do not attend summer session will not lose continuing student status. The definition includes non-credit students who are matriculating to credit student status.

Returning Students: Students who have completed at least one unit of credit at Cerritos College and are returning after a break of no more than one semester excluding summer session.

Tier 4: Enrollment appointments for students in Tier 4 groups shall be set in the order of the groups as listed and based on units earned and cumulative grade point average within those groups, consistent with applicable regulations.

Dual Enrollment: High school juniors and seniors, as provided for and limited in, Board Policy 5010 titled "Admissions and Concurrent Enrollment" and Administrative Procedure 5011 titled "Admission and Concurrent Enrollment of High School and Other Young Students".

Dual Enrollment (Grades K-10): Talented elementary and secondary students through the 10th grade, as provided for and limited in, Board Policy 5010 titled "Admissions and Concurrent Enrollment" and Administrative Procedure 5011 titled "Admission and Concurrent Enrollment of High School and Other Young Students".

ENROLLMENT LIMITATIONS

Enrollment in courses and programs may be limited to students meeting properly established prerequisites and co-requisites (See Board Policy and Administrative Procedure 4260 titled "Prerequisites and Co-requisites").

Additional Enrollment Limitations (including, but not limited to):

- A. Health and safety considerations;
- B. Faculty workload;
- C. Availability of qualified instructors;
- D. Funding limitations;
- E. Regional planning;
- F. Legal requirements;
- G. Facility limitations; and
- H. Accreditation, regulatory, and policy requirements.

Priorities When Enrollment Must be Limited

- A. First come, first served, or other non-evaluative selection techniques, provided all prerequisite and/or course requisites have been met;
- B. In the case of intercollegiate competition, honors courses, or public performance courses, allocating available seats to those students judged most qualified;
- C. Limiting enrollment to any selection procedure expressly authorized by statute; and
- D. Limiting enrollment in one or more sections to students enrolled in one or more other courses, provided that a reasonable percentage of all sections of the course do not have such restrictions.

Additional Conditions May Be Applicable to Order of Enrollment

Course sections funded other than by state apportionment, such as contract education, grant-funded programs, and certain fee-based sections (as permitted by law).

STUDENT SUCCESS AND SUPPORT PROGRAM (SSSP)

LOSS OF ELIGIBILITY FOR CCPG FEE WAIVER

A student shall become ineligible for a California College Promise Grant (CCPG) Fee Waiver if the student is placed on academic or progress probation, or any combination thereof, for two consecutive primary terms. Loss of eligibility shall become effective at the first registration opportunity after such determination is made.

The District shall notify students of their placement on academic or progress probation no later than 30 days following the end of the term that resulted in the student's placement on probation. The notification must clearly state that two consecutive primary terms of probation will lead to a loss of the CCPG Fee Waiver until the student is no longer on probation. The notification must also advise students about the available student support services to assist them in maintaining eligibility.

The District shall adopt, prominently display, and disseminate policies ensuring that students are advised about the student support services available to assist them in maintaining and re-establishing CCPG Fee Waiver eligibility. Dissemination includes, but is not limited to, information provided in college catalogs and class schedules.

The District shall establish written procedures by which a student may appeal the loss of a CCPG Fee Waiver due to extenuating circumstances, or when a student with a disability applied for, but did not receive, a reasonable accommodation in a timely manner. Extenuating circumstances are verified cases of accidents, illnesses, or other circumstances that might include documented changes in the student's economic situation or evidence that the student was unable to obtain essential student support services. Extenuating circumstances also include special consideration of the specific factors associated with Veterans, CalWORKs, EOPS, and DSPS student status.

Foster Youth shall not be subject to loss of CCPG Fee Waiver due to placement on academic or progress probation. This exemption for Foster Youth is effective until the date specified in the Education Code, section 66025.9(c).

APPEALS AND EXEMPTIONS

It is the intent of these procedures to support and promote student success, including program completion, through access to needed courses. Petitions for appeals of, or exemption from, the implementation of these procedures are subject to consideration by the Committee on Academic Records and Standards (A&S) or its designee.

- A. Students may appeal the loss of enrollment priority and/or loss of the CCPG Fee Waiver due to extenuating circumstances, certain conditions specified on the Enrollment Priorities and/or the CCPG Fee Waiver Appeals Form, or where a student with a disability applied for, but did not receive reasonable accommodation in a timely manner. Extenuating circumstances are verified cases of accidents, illnesses, or other circumstances beyond the control of the student.
- B. Students who have demonstrated significant academic improvement will regain the CCPG Fee Waiver and/or priority enrollment status. It is the student's responsibility to timely verify changes in enrollment priority status. Significant academic improvement is defined as achieving no less than the minimum grade point average and progress standard within a term. The minimum academic standard is a 2.0 grade point average, once the student has attempted 12 semester units; the minimum progress standard is greater than 50% of all units enrolled in being other than "W", "I", "NP", or "NC", once the student has enrolled in a total of at least 12 semester units.
- C. Students may request reinstatement of enrollment priority and/or the CCPG Fee Waiver if an institutional mistake was made.

ADMISSION AND ORIENTATION

ASSESSMENT AND ORIENTATION-COUNSELING ARE REQUIRED FOR FIRST-TIME, NEW-TO-COLLEGE STUDENTS.

ADMISSION

Who May Apply for Admission?

- Anyone who is a high school graduate or at least 18 years of age who may benefit from instruction.
- High school students in their junior or senior year with appropriate Dual Enrollment approval forms.
- International Students in valid, non-immigrant, F-1 visa status.

How to Apply for Admission

- Students who are enrolling for the first time or who are returning after an absence of one or more semesters, must complete an admissions application as early as possible prior to the start of enrollment (proof of residence may be required). The admission application is available on the college website at www.cerritos.edu, "Future Students/Apply", "Apply Online".
- **International students who are in F-1 student visa status:** International students must submit an International Student application, meet specific admission requirements, and pay a \$50 processing fee. Please see page 30 for admission requirements.

Prerequisites are strictly enforced by MyCerritos enrollment. Read your course selections carefully for all requirements. Requisites may be fulfilled by:

- *Completing placement tests and enrolling in the recommended courses, and/or*
- *Completing the prerequisite course with a grade of Pass, or "C" or higher.*

OR

- *By submitting transcripts to the Admissions and Records Office if a prerequisite course was completed at another college.*

Requisite Clearance forms for consideration for the current semester should be submitted two weeks prior to the start of enrollment.

ADMISSION AND ORIENTATION

ORIENTATION

Assessment/Placement and Orientation-Counseling are required for all first-time, new-to-college students. Transfer students are also highly encouraged to complete orientation.

Assessment/Placement and Orientation-Counseling (AOC)

Assessment/Placement and Orientation-Counseling (AOC) are required for first-time, new-to-college students. Two holds will appear in the MyCerritos account of these students: one hold for Assessment/Placement (ASM) and one hold for Orientation-Counseling (ORI). **Enrollment in classes will not be allowed until these requirements are met.** Students not required to complete AOC under established criteria are automatically exempt upon application to the College.

Early Success Program (ESP)

Cerritos College offers the Early Success Program (ESP) during the fall and spring semesters. This program is designed to encourage early completion of Assessment/Placement and Orientation-Counseling. By completing AOC prior to the established deadline, first-time college students receive an earlier enrollment appointment date. For more information, visit www.cerritos.edu/esp.

Options for New Student Orientations

Online

Start, stop, and restart anytime! Go to www.cerritos.edu, log in to MyCerritos, and click *Cerritos College New Student Orientation*.

On campus

A limited number of orientations are offered, including day and evening, prior to the start of each term. Call the Counseling Office at (562) 467-5231, or go online to www.cerritos.edu/aoc, for more information.

STUDENT ACTIVITY STICKER AND IDENTIFICATION CARD

ASCC utilizes the revenue collected from the Student Activity fee to support academic, extra-curricular, and student life programs, services, and events.

A student activity sticker and identification card can be obtained from the Student I.D. Center, which is located in the Admissions and Records Office in the Administration Building.

REGULAR HOURS

During fall and spring semesters: 8 am – 7 pm, Monday through Thursday; 8 am – 12 pm, Friday. Hours vary during summer sessions. For more information or current hours, call the Student I.D. Center at (562) 860-2451, ext. 2211.

If a student has special circumstances and cannot be available to obtain the student activity sticker and identification card during any of the hours listed above, arrangements can be made by calling (562) 860-2451, ext. 2211.

It is important that students be in possession of their Cerritos College identification card at all times while on campus. This card is necessary for “buy-backs” in the College Bookstore and it is important to present when using the College Library and Student Health Center.



ASSESSMENT/PLACEMENT

WHAT IS “ASSESSMENT/PLACEMENT?”

Assessment/Placement is required for first-time, new-to-college students. “Assessment/Placement” means the process of gathering information about an individual student to facilitate his or her success. At Cerritos College, assessment/placement includes, but is not limited to, the collection of information regarding a student’s study skills, English language proficiency, and/or computational skills. Academic counselors will review high school and/or college transcripts, evidence of an A.A. degree or higher from an accredited institution, learning skills, academic performance, and need for special services. In addition, career assessment is the opportunity to explore career aspirations, goals, skills, interests, and values.

DO I NEED TO COMPLETE THE ASSESSMENT/PLACEMENT PROCESS?

First-time, new-to-college students are required to complete the assessment/placement process prior to enrollment.

Effective June 18, 2018, the college implemented a new assessment/placement process to help students on their path to success. By using high school records or guided self-placement, new and continuing students may have the opportunity to complete transfer-level math and English courses in one year and credit ESL courses in three years.

Depending on when, where or if students attended high school, they will complete either the Self-Report Tool (SRT) or Guided Placement Tool (GPT), which, in most cases, will place students directly into transfer level courses in the areas of math and English or ESL. A current Cerritos College student number and photo ID are required to complete the SRT or GPT.

How do you take the SRT or GPT? Visit the Assessment Center in MP 206 to get started. Go to our web page <http://www.cerritos.edu/assessment-center/> for more information.

Students with a history of special education are encouraged to seek additional assessment/placement guidance from counselors in Disabled Student Programs and Services. Visit their web page at <http://www.cerritos.edu/dsps/> for more information.

STUDENT SUCCESS & SUPPORT PROGRAM (SSSP) EXEMPTION/EXCEPTION

Cerritos Community College offers Student Success and Support Services to all new students prior to their enrollment in classes. These services include assessment/placement, orientation, and counseling. First-time, new-to-college students must complete required Assessment/Placement and Orientation-Counseling (AOC) prior to enrollment. Students not required to complete the requirements under established criteria are automatically exempt upon application to the College. Students wishing to pursue another type of exemption must submit a completed Student Success and Support Program (SSSP) Exemption and Exception form to the Admissions and Records Office. SSSP Exemption and Exception forms are available in the Admissions and Records, Assessment, and Counseling Offices. If you have special needs for completing assessment/placement, orientation, or counseling; please contact the Assessment Office of Disabled Students Programs and Services.

ASSESSMENT/PLACEMENT EXEMPTIONS

Students who already possess an AA degree or higher from a regionally accredited college are not required to complete the assessment/placement process, but will be required to verify the degree by presenting official documents to the Admissions and Records Office at least 10 working days prior to their enrollment appointment date. A Requisite Clearance form must accompany the documents in order to meet prerequisites.

ASSESSMENT/PLACEMENT EXEMPTIONS FOR:

English – Students who have completed English courses at another college may not need to complete the English SRT. Please submit proof (official or unofficial transcripts) and a Requisite Clearance form to a counselor or Admissions and Records prior to enrollment.

Math – Students who have completed math courses at another college also may not need to complete the math SRT. Please submit proof (official or unofficial transcripts) and a Requisite Clearance form to a counselor or Admissions and Records prior to enrollment. It is strongly recommended that these math courses have been completed within the past 10 years.

Advanced Placement Exams – Students who participate in advanced placement courses at their high schools and earn passing scores on AP exams may earn college credit for those courses when they come to Cerritos College. For further details, ask a counselor.

Chemistry – Please read the prerequisites and recommendations section with each chemistry class listing. Be sure that the prerequisites are satisfied before enrolling in a course.

Please note: The exceptions listed are assessment/placement options for course clearance or placement. To meet the required reading, math, and English proficiencies necessary to qualify for the Associate in Arts degree, check your catalog or ask a counselor.

ACCOMMODATION FOR ENGLISH AS A SECOND LANGUAGE

Students planning to take ESL (English as a Second Language) courses may need to take the ACCUPLACER ESL test. Upon completion of the SRT, students will receive a recommendation to take the ACCUPLACER ESL test when appropriate. Students may still take the ACCUPLACER ESL test if the student believes they would benefit from ESL instruction. For questions regarding the best path of instruction, please meet with a counselor.

RETEST POLICY

Students who have completed the ACCUPLACER test and wish to retest, will now complete the Self-Reporting Tool (SRT). Students who have completed high school within the last 10 years, will receive course recommendations based on their United States high school records. Based on the cumulative and unweighted United States high school GPA and other academic-related questions, students may be placed directly into transfer level courses in the areas of English, reading, math, or ESL. A current Cerritos College student number and photo ID are required to complete the SRT, which is computerized. For students who completed high school more than 10 years prior to applying to the college, completed the GED or did not complete high school, or are an international student, please contact the Assessment Office for information pertaining to your specific situation.

PLACEMENT SCHEDULE

Copies of the placement schedule are available on the Cerritos College Assessment Office web page, www.cerritos.edu/assessment-center/; at the Admissions and Records Office, Counseling, and Career Services; or call (562) 860-2451, ext. 2599, for dates and times. Appointments are available during the peak testing period of July and August. For the current schedule, please refer to the web page, as the schedule is subject to change.

ACCOMMODATION FOR STUDENTS WITH DISABILITIES

Any student with a verified disability may arrange accommodations for the placement process. A current Cerritos College application must be on file to receive accommodations. Accommodations requests should be made at least 7 days in advance to Disabled Students Programs and Services (DSPS). For more information or an appointment, call (562) 860-2451, ext. 2335; (562) 274-7164 (VP); or visit our website at www.cerritos.edu/dsps/. Academic Accommodations may include, but are not limited to: readers, writers, or the use of assistive technology.

COUNSELING AND FOLLOW-UP

COUNSELING

- All students new to college are required to complete a new student orientation to receive counselor assistance for course selection prior to enrollment. See the "Orientation" section for more information on required Assessment/Placement and Orientation-Counseling (AOC). Returning and transfer students are also encouraged to see a counselor.
- Complete requirements before seeing a counselor.
- Students who are on academic and/or progress probation will be limited in the number of units they may take each semester based upon their GPA and course completion. They also risk losing their enrollment priority appointment and, as of Fall 2016, may be ineligible for the California College Promise Grant Fee Waiver (CCPGFW) if they remain on probation for two consecutive semesters.
- Counselors are available on an appointment or standby basis prior to enrollment.
- During enrollment, counselors are available on a limited standby basis.
- Counselors are available online at www.cerritos.edu/counseling.
- Once the semester begins, new, readmit, and transfer students are highly encouraged to make a counseling appointment or attend an Ed Plan workshop to discuss educational goals and to complete a Comprehensive Student Educational Plan (C-SEP).

Continuing students are encouraged to meet with a counselor every semester to ensure their educational plan accurately reflects their educational goal. Schedule an appointment or sign up for an Ed Plan workshop at the Counseling desk, or call (562) 467-5231.

FOLLOW-UP

Counseling and teaching faculty provide a number of follow-up services to students. These services are designed to provide information regarding the students' academic progress. Special services are provided to students on academic and/or progress probation, students in basic skills courses, and students who are undecided about their educational goal. Referrals are made to on and off-campus services when appropriate.

NEW STUDENT

You are a new student if this is the first time you are attending any college. You are required to complete Assessment/Placement and Orientation-Counseling prior to enrollment.

TRANSFER STUDENT

You are a transfer student if you attended another college but have never attended Cerritos College.

RETURNING STUDENT

You are a returning student if you have previously attended Cerritos College but did not attend the 2019 Spring or 2019 Summer semester.

CONTINUING STUDENT

You are a continuing student if you were enrolled in credit classes at Cerritos College during the 2019 Spring or 2019 Summer semester.

DUAL ENROLLMENT STUDENT (K-12)

Concurrent enrollment for students who wish to attend Cerritos College while in grades K-12.

BASIC SKILLS COURSE LIMITATIONS

No more than a total of thirty (30) units from the pre-collegiate basic skills courses listed below are allowed:

ENGL 20

MATH 20, 40

READ 41, 42, 43, 46, 48, 49

"Basic skills course work" refers to pre-collegiate basic skills courses (i.e. courses in reading, writing, computation, learning skills, study skills) that are designated as non-degree applicable courses, the purpose of which is to prepare students for successful completion of an Associate in Arts degree, transfer, or certification courses.

Students enrolled in one or more courses of English as a Second Language (ESL) or students identified as having a learning disability are exempt from the thirty (30) unit limitation. A student who has completed thirty (30) units of basic skills course work shall be barred from enrolling in pre-collegiate basic skills classes and referred to other agencies to develop the skills necessary to enter college-level course work.

Open Courses

All courses, course sections, and classes of the College shall be open for enrollment to any person who has been admitted to the College. Enrollment shall be limited to students meeting properly validated prerequisites and co-requisites. Exemptions for state or federal statutes or regulations shall be established and the President/Superintendent shall establish procedures to establish exemptions for other practical considerations.

**BUY YOUR
BOOKS
WHEN YOU
ENROLL!**

Now you can buy your textbooks during the enrollment process. Just click the "buy books" button in MyCerritos on either of two screens: one when you "Add Classes" and another on "My Class Schedule". The button links to the Cerritos College Bookstore's eFollett website and presents a list of items (if available) that directly relate to your enrolled classes for the term.

PROGRAMAS DE APOYO Y ÉXITO DEL ESTUDIANTE (Student Success and Support Programs, SSSP), anteriormente Matriculación

DERECHOS Y RESPONSABILIDADES DE LOS ESTUDIANTES

- (a) Se debe requerir a los estudiantes que:
 - (1) Identifiquen una meta educativa y profesional.
 - (2) Participen diligentemente en las actividades del curso y completen los trabajos asignados.
 - (3) Completen los cursos y mantengan el progreso hacia un objetivo educativo y concluyan un curso de estudio.
- (b) Los estudiantes de primer ingreso no exentos en un plazo de tiempo razonable, deberán:
 - (1) Identificar un curso de estudio.
 - (2) Realizar una evaluación para determinar la colocación en el curso apropiado.
 - (3) Completar una orientación que establece la universidad.
 - (4) Participar en la consultoría, asesoría u otro servicio de planificación de la educación para desarrollar un plan educativo abreviado.
- (c) A los efectos de esta sección, un estudiante de primer ingreso es un estudiante que se inscribe en la universidad por primera vez, salvo los estudiantes que se transfieren de otra institución de educación superior. Para los propósitos de esta sección, la inscripción por primera vez no incluye la inscripción simultánea cuando todavía se asiste a la escuela secundaria. En la medida en que una universidad tenga la capacidad de exigir y proporcionar los servicios indicados en (b)(1) a (4) a otros estudiantes, nada de lo incluido en esta sección impedirá a la universidad hacerlo.
- (d) Los estudiantes no exentos que hayan cumplido con los servicios identificados en (b)(1) a (4) estarán obligados a terminar un plan de formación integral (C-SEP) después de completar 15 unidades semestrales de los cursos con créditos aplicables al grado académico o antes de finalizar el tercer semestre, o bien en un período más corto si lo requiere una política del programa o del distrito.
- (e) El incumplimiento de realizar los servicios requeridos que se enumeran en (b) puede resultar en una retención del registro del estudiante o la pérdida de la prioridad de inscripción hasta que los servicios se hayan completado.

RESPONSABILIDADES INSTITUCIONALES

- (a) La universidad tomará las medidas necesarias para garantizar que la información sobre las políticas de matriculación sea accesible y está disponible para todos los estudiantes, durante, o antes de, la inscripción (por ejemplo, durante la orientación) y se incluye en los programas de clase, catálogos u otras comunicaciones apropiadas que describen los derechos y las responsabilidades de los estudiantes.
- (b) Una vez que el estudiante ha identificado un curso de estudio y completó 15 unidades semestrales de trabajo del curso aplicables al grado académico, la universidad debe proporcionarle la oportunidad de desarrollar un plan educativo (C-SEP) integral en un plazo razonable. Las responsabilidades estudiantiles también deberán determinarse en el plan de educación del estudiante.
- (c) La política de la universidad establece que un estudiante no exento tendrá una retención de la matrícula si no cumple con las responsabilidades establecidas en la sección “Derechos y responsabilidades de los estudiantes”.

- (d) La universidad hará esfuerzos razonables para evitar la duplicación de la orientación, evaluación, consultoría, asesoría u otros servicios de planificación de la educación y el desarrollo de los planes educativos financiados a través de este subcapítulo o por medio de otros programas.
- (e) Se pretende que el área de servicios estudiantiles y de enseñanza de la universidad utilice diferentes fuentes de datos sobre los esfuerzos de planificación de la educación de los estudiantes y cursos identificados de estudio para coordinar la programación de los cursos.

PRIORIDAD DE LA CITA DE INSCRIPCIÓN

incluye la orientación, evaluación, consultoría, planes educativos, grupos de nivel, período de prueba

El propósito de establecer prioridades de inscripción es apoyar a los estudiantes que se esfuerzan por alcanzar sus metas educativas en Cerritos College, proporcionando prioridad de inscripción a grupos de estudiantes (que se enumeran en este documento) con necesidades especiales o que están en condición de estudiantes de reingreso, siempre y cuando el progreso sea satisfactorio.

CRITERIOS Y CONDICIONES PARA LA PRIORIDAD DE INSCRIPCIÓN

A. Prioridad

1. Los nuevos estudiantes que no se encuentran exentos de otra manera, entre ellos los que son parte de grupos con prioridad de inscripción que establece el estado, deben completar la evaluación, orientación y consultoría con por lo menos un plan educativo abreviado (A-SEP), a fin de recibir prioridad de inscripción.
2. La primera vez, a partir de la inscripción en el otoño de 2014, los estudiantes que han identificado un curso de estudio, se han evaluado para determinar la colocación apropiada de cursos, completaron un programa de orientación que proporciona la universidad y han participado en la consultoría, asesoría u otro servicio de planificación de la educación que incluye, al menos, un plan educativo abreviado (A-SEP), están obligados a completar un plan educativo integral (C-SEP) después de completar 15 unidades semestrales de los cursos con créditos aplicables al grado académico o antes de finalizar el tercer (3.er) semestre de inscripción, según lo permitan los recursos.
3. Los estudiantes de reingreso, incluidos los de algún grupo con prioridad de inscripción que establece el estado, salvo los jóvenes de crianza actual y anterior que son elegibles, están sujetos a la pérdida de la prioridad de inscripción para los que ordinariamente serían elegibles si están en cualquier combinación de progreso o probatoria académica para dos semestres consecutivos.
4. Los estudiantes de reingreso, incluidos los de algún grupo con prioridad de inscripción que establece el estado, salvo los jóvenes de crianza actual y anterior que son elegibles, están sujetos a la pérdida de la prioridad de inscripción para la que ordinariamente serían elegibles si han obtenido 100 destrezas no básicas aplicables al grado académico y que no son unidades del programa ESL. Las unidades para asignaturas y programas principales podrán ignorarse en la medida en que superen el número de unidades requeridas para asignaturas y programas que no son principales. Las unidades de crédito por examen, colocación avanzada, Bachillerato Internacional u otros programas similares también pueden estar exentos.

- B. Sin perjuicio de lo anterior, las citas de matrícula de los estudiantes de reingreso se establecerán con base en las unidades o el promedio de calificaciones acumuladas en Cerritos College.
- C. Los estudiantes que están sujetos a la exclusión de prioridad de inscripción tendrán un indicador de servicio negativo, que aparece como una retención en el Centro estudiantil en MyCerritos, colocado en su cuenta de la matrícula. El efecto será colocar el acceso del estudiante a matricularse al final del ciclo de inscripción en el período conocido como Inscripción Abierta.
- D. Los estudiantes excluidos de la prioridad de inscripción deben recibir notificación de las opciones que tienen o qué se les aconseja ejercer. Vea también la sección de este procedimiento titulada "Apelaciones y Excepciones."

Criterios adicionales para la prioridad de inscripción de determinados estudiantes

- A. Los estudiantes que de otra manera se especifican en el estatuto.
- B. Los estudiantes cuyo programa educativo requiere tiempo fuera del campus o bloques de tiempo asociados con las clases programadas para actividades tales como práctica, reuniones, asesoramiento y tiempo fuera de la escuela, lo que limita la elección de los períodos de clase.

GRUPOS DE ESTUDIANTES CON PRIORIDADES:

Nivel 1: las citas de matrícula para los estudiantes en los grupos del Nivel 1 se programarán en todo el nivel con base en las unidades que han obtenido y el promedio de calificaciones acumuladas de conformidad con la normativa aplicable.

Personal de las Fuerzas Armadas y veteranos recientes: los estudiantes que son miembros o ex miembros de las Fuerzas Armadas de los Estados Unidos, que son residentes de California, por cualquier plazo académico, dentro de los cuatro años siguientes al cese del servicio activo. (Artículo 66025.8 del Código de Educación)

CalWORKs: estudiantes inscritos formalmente en el Programa CalWORKs. (Artículo 66025.92 del Código de Educación)

EOPS: estudiantes matriculados formalmente en los Programas y Servicios de Oportunidad Ampliada (Extended Opportunity Programs and Services, EOPS). (Artículo 66025.91 del Código de Educación)

DSPS: estudiantes que por sus discapacidades específicas están inscritos en Programas y Servicios de Estudiantes Discapacitados (Disabled Students Programs and Services, DSPS) (Artículo 66025.91 del Código de Educación)

Jóvenes de crianza: los estudiantes que se consideran formalmente como jóvenes de crianza actualmente o en el pasado, que son elegibles hasta los 24 años de edad inclusive. (Artículo 66025.9 del Código de Educación)

Nivel 2: las citas de matrícula para los estudiantes en los grupos del Nivel 2 se programarán en todo el nivel con base en las unidades que han obtenido y el promedio de calificaciones acumuladas, de conformidad con la normativa aplicable.

Estudiantes del Programa de Excelencia Académica (Scholars' Honors Students): los estudiantes que han sido admitidos oficialmente en el Programa de Excelencia Académica cada semestre y en la actualidad se matriculan en los cursos o contratos del Programa de Excelencia Académica (Scholars' Honors Program).

Estudiantes Atletas: los estudiantes que se identifican como elegibles para participar en deportes intercolegiales.

Estudiantes con Requisitos de Inscripción Obligatoria: los estudiantes en cumplimiento de los requisitos del programa que deben mantener la condición de tiempo completo con los requisitos de tiempo de finalización para permanecer en los programas universitarios de Cerritos que están en programas financiados con donaciones con necesidades prioritarias de inscripción.

Estudiantes matriculados: estudiantes que, antes de su primer semestre de inscripción, completaron la admisión, orientación, evaluación y los componentes de asesoramiento de matriculación.

Grupos de prueba, financiamiento u otros grupos especiales para el éxito estudiantil: los estudiantes en grupos identificados por medidas mejoradas o aceleradas para el éxito estudiantil donde se emplean las pruebas, financiamiento y otras medidas especiales a corto plazo.

Nivel 3: las citas de matrícula para los estudiantes en los grupos del Nivel 3 se programarán en el orden en que los grupos aparecen en la lista y con base en las unidades que han obtenido y el promedio de calificaciones acumuladas, de conformidad con la normativa aplicable.

Estudiantes de reingreso: estudiantes que se inscribieron en el año académico anterior o en el curso de verano. Los estudiantes que no asistan al curso de verano no perderán la continuidad de la condición de estudiante de reingreso. La definición incluye a los estudiantes que no tienen créditos, quienes se matriculan en condición de estudiante con crédito.

Estudiantes que se reinscriben: los estudiantes que han completado al menos una unidad de crédito en Cerritos College y regresan después de un período de no más de un semestre sin contar el curso de verano.

Nivel 4: las citas de matrícula para los estudiantes en los grupos del Nivel 4 se programarán en el orden en que los grupos aparecen en la lista y con base en las unidades que han obtenido y el promedio de calificaciones acumuladas con esos grupos, de conformidad con la normativa aplicable.

Inscripción doble: estudiantes de penúltimo y último año de la escuela secundaria, según lo previsto y limitado en la Política del Consejo 5010 titulada Admisiones e inscripción simultánea y el Procedimiento Administrativo 5011 titulado Admisión e inscripción simultánea de la escuela secundaria y otros jóvenes estudiantes.

Inscripción doble (grado K-10): estudiantes de primaria y secundaria de la escuela secundaria hasta 10o grado, según lo previsto y limitado en la Política del Consejo 5010 titulada Admisiones e inscripción simultánea y el Procedimiento Administrativo 5011 titulado Admisión e inscripción simultánea de la escuela secundaria y otros jóvenes estudiantes.

LIMITACIONES DE INSCRIPCIÓN

La inscripción en los cursos y programas se puede limitar a los estudiantes que cumplen los requisitos previos y los requisitos conjuntos establecidos. (Consulte la Política del Consejo y el Procedimiento Administrativo 4260 titulado Requisitos previos y requisitos conjuntos)

Limitaciones de inscripción adicionales (incluyen, entre otros):

- A. consideraciones de salud y seguridad;
- B. carga de trabajo de los profesores;
- C. disponibilidad de instructores calificados;
- D. limitaciones de financiamiento;
- E. planificación regional;
- F. requisitos legales;
- G. limitaciones de instalaciones, y

Prioridades cuando la inscripción debe limitarse

- A. Por orden de llegada u otras técnicas de selección no evaluativas, siempre que se hayan cumplido todos los requisitos previos o los requisitos del curso.
- B. En el caso de las competencias intercolegiales, cursos de nivel avanzado o cursos de representación pública, se asignan los lugares disponibles a aquellos estudiantes que se consideren más calificados.
- C. Limitar la inscripción a cualquier procedimiento de selección que los estatutos autoricen expresamente.
- D. Limitar la inscripción en una o más secciones para los estudiantes inscritos en uno o más cursos, siempre que un porcentaje razonable de todas las secciones del curso no tengan tales restricciones.

Condiciones adicionales pueden ser aplicables al orden de inscripción

Secciones de los cursos financiados por distribución que no es del estado como la educación por contrato para los empleados de una compañía, los programas financiados con donaciones, y ciertas secciones de paga (según lo permite la ley).

PÉRDIDA DE ELEGIBILIDAD PARA RECIBIR LA EXENCIÓN DE CUOTAS DE INSCRIPCIÓN DE LA PROMESA DE BECA DE COLEGIO DE LA CALIFORNIA (CALIFORNIA COLLEGE PROMISE GRANT, CCPG)

Un estudiante ya no será elegible para recibir la Exención de cuotas de inscripción de la Promesa de Beca de Colegio de la California (California College Promise Grant, CCPG) si al estudiante se le pone en un período de prueba académico o de progreso, o en alguna combinación de estos, durante dos períodos académicos primarios consecutivos. La pérdida de elegibilidad entrará en vigencia en la primera oportunidad de inscripción después de que se haya tomado dicha determinación.

El distrito deberá notificar a los estudiantes sobre su asignación en el período de prueba académico o de progreso a más tardar treinta días después del final del período académico que provocó que al estudiante se le pusiera en un período de prueba. La notificación debe indicar claramente que dos períodos académicos primarios consecutivos en período de prueba ocasionarán la pérdida de la Exención de cuotas de inscripción de la CCPG hasta que el estudiante ya no esté en el período de prueba. La notificación también debe informar a los estudiantes acerca de los servicios de apoyo para estudiantes disponibles para ayudarlos a conservar la elegibilidad.

El distrito adoptará, exhibirá claramente y divulgará políticas que garanticen que los estudiantes estén informados acerca de los servicios de apoyo para estudiantes disponibles para ayudarlos a conservar y restablecer la elegibilidad para calificar para recibir la Exención de cuotas de inscripción de la CCPG. La divulgación incluye, entre otras, información proporcionada en los catálogos de la universidad y en los programas de clases.

El distrito establecerá procedimientos por escrito mediante los cuales un estudiante pueda apelar la pérdida de la Exención de cuotas de inscripción de la CCPG debido a circunstancias atenuantes, o cuando un estudiante con discapacidad solicite, pero no reciba, una adaptación razonable de manera oportuna. Las circunstancias atenuantes son casos verificados de accidentes, enfermedades u otras circunstancias que podrían incluir cambios documentados en la situación económica del estudiante, o bien, evidencia de que el estudiante no pudo obtener

servicios de apoyo esenciales para estudiantes. Las circunstancias atenuantes también incluyen la consideración especial de factores específicos relacionados con el estado del estudiante con respecto a la ayuda para Veteranos, el programa de California de Oportunidades de trabajo y responsabilidad hacia los niños (California Work Opportunity and Responsibility to Kids, CalWORKs), Programa de Oportunidad educativa (Educational Opportunity Program, EOP) y Programas y Servicios para estudiantes discapacitados (Disabled Students Programs & Services, DSPS).

Un joven en régimen de acogida familiar no estará sujeto a la pérdida de la Exención de cuotas de inscripción de la CCPG debido a la asignación en un período de prueba académico o de progreso. Esta exclusión para los Jóvenes en régimen de acogida familiar es válida hasta la fecha que se especifica en la sección 66025.9(c) del Código de Educación.

APELACIONES Y EXENCIONES

La intención de estos procedimientos es apoyar y promover el éxito del estudiante, incluyendo la finalización del programa, a través del acceso a los cursos necesarios. Las peticiones de apelación o para la exención de la aplicación de estos procedimientos están sujetas a consideración del Comité de Expedientes y Normas Académicas, o a quien este designe.

- A. Los estudiantes pueden apelar la pérdida de la prioridad de inscripción y/o la pérdida de la Exención de cuotas de inscripción de la CCPG debido a circunstancias atenuantes, ciertas condiciones especificadas en el Formulario de Inscripción de Prioridades y/o la Exención de cuotas de inscripción de la CCPG de Apelaciones, o cuando un estudiante con una discapacidad solicitada, pero que no recibió los ajustes razonables en el momento oportuno. Las circunstancias atenuantes verifican los casos de accidentes, enfermedades u otras circunstancias fuera del control del estudiante.
- B. Los estudiantes que han demostrado una mejora académica significativa restablecerán el estado la Exención de cuotas de inscripción de la CCPG y/o de prioridad de inscripción que perdieron. Es responsabilidad del estudiante verificar oportunamente los cambios del estado de las inscripciones de prioridad. El mejoramiento académico significativo se define como haber logrado por lo menos el promedio de calificaciones mínimo y las normas de progreso mínimas durante el semestre. El nivel académico mínimo es una calificación promedio mínima de 2.0, una vez que el estudiante haya intentado tomar 12 unidades semestrales; el progreso mínimo convencional es superior al 50% de todas las unidades en las que se inscribió que no reciban “W”, “I”, “NP”, o “NC”, una vez que el estudiante se haya matriculado en un total de al menos 12 unidades semestrales.
- C. Los estudiantes pueden solicitar el reintegro de la prioridad de inscripción y/o la Exención de cuotas de inscripción de la CCPG si se cometió un error institucional.

ADMISION

¿Quién puede solicitar admisión?

- Cualquier persona que sea graduada de secundaria o por lo menos de 18 años de edad.
- Estudiantes en su penúltimo año o con una forma aprobada de inscripción doble (Dual Enrollment).
- Estudiantes internacionales con visas válidas F-1 de no inmigrante.

Como solicitar admisión

- Estudiantes que se matriculan por primera vez o que regresan después de una ausencia de uno o más semestres, deben completar una solicitud de admisión tan pronto como sea posible antes de el comienzo de inscripción. (Prueba de residencia podría ser necesaria). La solicitud de admisión se encuentra disponible en el sitio web de Cerritos College, www.cerritos.edu, "Future Students/Apply", "Apply Online".
- Estudiantes internacionales con visa F-1 de estudiante.
Estudiantes internacionales deben presentar una solicitud internacional de estudiante, reunir los requisitos de admisión específicos, y pagar una cuota de \$50 por el cobro de procesamiento.

ORIENTACIÓN

Evaluación/Colocación y Orientación-Consejería son requerimientos para todos los estudiantes nuevos o nuevos para el colegio. Es recomendable que también los estudiantes que se han transferido de otros colegios completen la orientación.

Evaluación/Colocación y Orientación-Consejería (AOC)

La Evaluación y Orientación-Consejería (AOC, por sus siglas en inglés) se necesita para los estudiantes de primer ingreso, nuevos en la universidad. Aparecerán dos retenciones en la cuenta MyCerritos de estos estudiantes: una retención por evaluación (ASM) y una retención por asesoría de orientación (ORI). *No se permitirá la inscripción en clases hasta que se haya cumplido con este requerimiento.* Los estudiantes a los que no se les solicite que completen la AOC bajo los criterios establecidos quedan exentos automáticamente al momento de presentar la solicitud a la Universidad.

Programa de Éxito Prematuro (Early Success Program, ESP)

El Colegio de Cerritos ofrece el Programa de Éxito Prematuro durante el otoño y el semestre de primavera. Éste programa está diseñado para motivar a los estudiantes a completar con anticipación la Evaluación y Orientación-Consejería. Si completan la Evaluación y Orientación-Consejería antes de el plazo indicado, los estudiantes nuevos para el colegio reciben una cita más temprana para inscribirse. Para obtener más información, visite la página web www.cerritos.edu/esp.

Opciones de Orientaciones para Nuevos Estudiantes

En línea

Comience, pare, y vuelva a comenzar en cualquier momento! Vaya a www.cerritos.edu, entre al sistema de MyCerritos, y elija *Orientation Plus*.

En el plantel

Hay orientaciones disponibles antes de el comienzo de cada semestre, incluyendo de día y de noche. Llame a Oficina de Consejería al (562) 467-5231, ó en línea en el sitio www.cerritos.edu/aoc, para más información.

¿QUE ES "EVALUACIÓN/COLOCACIÓN?"

La evaluación es obligatoria para los estudiantes de primer ingreso, nuevos en la universidad. "Evaluación" significa el proceso de recopilar información sobre cada estudiante para facilitar su éxito. En Cerritos College las evaluaciones incluyen, pero no se limitan a la recopilación de información relacionada con las técnicas de estudio del estudiante, dominio del inglés o aptitudes de computación. Los orientadores académicos revisarán el expediente académico de la escuela secundaria o universidad, evidencia del título A.A. u otro superior de una institución acreditada, habilidades de aprendizaje, rendimiento académico y uso de servicios especiales. Además, la evaluación de la carrera es la oportunidad de explorar las aspiraciones, metas, aptitudes, intereses y valores relacionados con una carrera.

¿DEBO COMPLETAR EL PROCESO DE EVALUACIÓN/COLOCACIÓN?

Los estudiantes de primer ingreso, nuevos en la universidad deben completar el proceso de evaluación antes de inscribirse.

A partir del 18 de junio de 2018, la Universidad implementó un nuevo proceso de ubicación, la herramienta de autoevaluación (Self Reporting Tool, SRT). La SRT proporciona a los estudiantes la oportunidad de inscribirse en los cursos de Inglés, Lectura, Matemáticas o Inglés como segundo idioma (English as a Second Language, ESL), con base en los expedientes de la escuela secundaria en Estados Unidos, siempre y cuando hayan completado sus estudios hace 10 años. Hay dos SRT: una para Inglés/Lectura/ESL y otra para Matemáticas. Con base en el promedio de notas acumuladas y ponderadas de la escuela secundaria de Estados Unidos y en otras preguntas académicas, los estudiantes se pueden ubicar directamente en los cursos de nivel de transferencia en las áreas de Inglés, Lectura, Matemáticas o ESL. Para completar la SRT computarizada necesita una identificación con fotografía y el número vigente de estudiante de Cerritos College.

Si completó sus estudios de la escuela secundaria hace más de 10 años antes de solicitar su ingreso a la universidad, completó GED o no terminó la escuela secundaria o, si es estudiante internacional, comuníquese con la Oficina de Evaluaciones para obtener información relacionada con su situación específica.

Si ya completó el proceso de evaluación en otra comunidad universitaria, puede utilizar esos resultados para su ubicación. Presente una copia de sus resultados (en papel con membrete de la universidad) con el formulario de Acreditación requerida lleno en la Oficina de Admisiones y Expedientes por lo menos 10 días hábiles antes de la fecha de su cita de inscripción.

EXENCIÓN/EXCEPCIÓN DEL PROGRAMA DE ÉXITO Y APOYO PARA LOS ESTUDIANTES (STUDENT SUCCESS/SUPPORT PROGRAM, SSSP)

Cerritos Community College ofrece Servicios de Éxito y Apoyo para los Estudiantes a todos los estudiantes nuevos antes de inscribirse en las clases. Estos servicios incluyen evaluación, orientación y asesoramiento. Los estudiantes de primer ingreso, nuevos en la Universidad deben completar la evaluación y asesoramiento-orientación (Assessment and Orientation-Counseling, AOC) obligatoria antes de inscribirse. Los estudiantes que no deben completar la AOC de conformidad con los criterios establecidos están exentos automáticamente al momento de presentar la solicitud de ingreso a la universidad. Los estudiantes que deseen otro tipo de exención deben presentar un formulario de Exención al Programa de Éxito y Apoyo para los Estudiantes (SSSP) y el formulario de excepción a la Oficina de Admisiones y Expedientes. Los formularios de Exención y Excepción de SSSP están disponibles en las Oficinas de Admisiones y Expedientes, Evaluación y Asesoramiento. Si usted tiene necesidades especiales para completar la evaluación, orientación o asesoramiento, comuníquese con la Oficina de Evaluación de Programas y Servicios para Estudiantes Discapacitados.

EXENCIONES DE EVALUACIÓN/COLOCACIÓN

Los estudiantes que ya tienen un título de A.A. o superior de una universidad regional acreditada, no deben completar el proceso de evaluación, pero deben verificar su título al presentar documentos oficiales ante la Oficina de Admisiones y Expedientes por lo menos 10 días hábiles antes de la fecha de su cita de inscripción. Debe adjuntar un formulario de Acreditación requerida con los documentos para cumplir con todos los requisitos.

EXENCIONES DE EVALUACIÓN/COLOCACIÓN PARA:

Inglés: es posible que los estudiantes que han completado cursos de inglés en otras universidades no tengan que completar la SRT de inglés. Presente pruebas (certificaciones oficiales o no oficiales) y el formulario de Acreditación requerida a un orientador o en Admisiones y expedientes antes de inscribirse.

Matemáticas: es posible que los estudiantes que han completado cursos de Matemáticas en otras universidades no tengan que completar la SRT de matemáticas. Presente pruebas (certificaciones oficiales o no oficiales) y el formulario de Acreditación requerida a un orientador o en Admisiones y expedientes antes de inscribirse. Se recomienda que estos cursos de Matemáticas se hayan completado en los últimos 10 años.

Exámenes avanzados de ubicación: los estudiantes que asisten a cursos de ubicación avanzados en sus escuelas secundarias y que obtengan promedios para aprobar los exámenes de AP pueden obtener créditos universitarios para dichos cursos cuando asistan a Cerritos College. Para obtener más detalles pregunte a un orientador.

Química: lea la sección de prerrequisitos y recomendaciones con cada listado de clases de química. Asegúrese de cumplir con todos los prerrequisitos antes de inscribirse en un curso.

Tenga en cuenta: Las excepciones indicadas son opciones de evaluación para las acreditaciones o ubicación de cursos. Para cumplir con los niveles de destreza requeridos de Lectura, Matemáticas, Inglés para calificar para el título en Artes de nivel intermedio, revise su catálogo o pregunte a un orientador.

UBICACIÓN PARA INGLÉS COMO SEGUNDO IDIOMA

Es posible que los estudiantes que desean tomar cursos de inglés como segundo idioma (ESL) deban someterse a una prueba ACCUPLACER ESL. Al completar la SRT, los estudiantes recibirán una recomendación para tomar la prueba ACCUPLACER ESL cuando sea apropiado. Es posible que los estudiantes aún deban someterse a la prueba ACCUPLACER ESL si consideran que pueden beneficiarse de la instrucción de ESL. Si tiene preguntas relacionadas con el mejor curso de instrucción, reúname con un orientador.

POLÍTICA DE REPETICIÓN DE PRUEBAS

Los estudiantes que han completado la prueba ACCUPLACER y desean repetirla, ahora deben completar la Herramienta de auto evaluación (SRT). Los estudiantes que completaron sus estudios de escuela secundaria en los últimos 10 años recibirán recomendaciones de cursos con base en sus expedientes de la escuela secundaria de Estados Unidos. Con base en el promedio de notas acumuladas y ponderadas de la escuela secundaria de Estados Unidos y en otras preguntas académicas, los estudiantes se pueden ubicar directamente en los cursos de nivel de transferencia en las áreas de Inglés, Lectura, Matemáticas o ESL. Para completar la SRT computarizada necesita una identificación con fotografía y el número vigente de estudiante de Cerritos College. Los estudiantes que completaron sus estudios de la escuela secundaria hace más de 10 años antes de solicitar su ingreso a la universidad, que completaron GED o no terminaron la escuela secundaria o, si es estudiante internacional, deben comunicarse con la Oficina de Evaluaciones para obtener información relacionada con su situación específica.

PROGRAMA DE EVALUACIONES

Hay copias del programa de evaluaciones disponibles en la página web de la Oficina de Evaluaciones de Cerritos College, www.cerritos.edu/assessment-center; en la Oficina de Admisiones y expedientes. Servicios de orientación y carreras o llame al (562) 860-2451, ext. 2599 para ver

las fechas y los horarios. Las citas están disponibles durante el período de mayor demanda de pruebas entre julio y agosto. Para ver el programa vigente, consulte la página web ya que el programa está sujeto a cambios.

ADAPTACIONES PARA ESTUDIANTES CON DISCAPACIDADES

Cualquier estudiante con una discapacidad comprobada puede gestionar adaptaciones para la evaluación. Debe tener una solicitud vigente registrada en Cerritos College para recibir las adaptaciones. Las solicitudes de adaptaciones se deben hacer con por lo menos 7 días hábiles de anticipación a Programas y Servicios para Estudiantes Discapacitados (Disabled Students Programs and Services, DSPS). Para obtener más información o programar una cita, llame al (562) 860-2451, ext. 2335; (562) 274-7164 (VP); o visite nuestro sitio web en www.cerritos.edu/dsps. La administración alternativa puede incluir lectores, escritores o el uso de tecnología de asistencia.

CONSEJERÍA

- Todos los estudiantes nuevos para el colegio deben participar en un taller de orientación para recibir asistencia de un consejero que los pueda ayudar a seleccionar los cursos adecuados antes de inscribirse. Vea la sección de orientación para más información respecto a los requisitos de Evaluación y Orientación-Consejería. Los estudiantes que vienen transferidos de otros colegios ó los que regresan después de estar ausentes por un tiempo, también deberán ver a un consejero.
- Complete los requisitos de la evaluación antes de ver a un consejero.
- A los estudiantes que están en período de probatoria de progreso o académico se les limitará la cantidad de unidades que pueden tomar cada semestre con base en su porcentaje de cursos completados y su promedio de calificaciones (GPA, por sus siglas en inglés). También corren el riesgo de perder su nombramiento prioridad de inscripción ya partir de otoño de 2016, pueden ser elegibles para la Promesa de Beca de Colegio de la California Fee Wavier (CCPGFW) si permanecen en período de probatoria durante dos semestres consecutivos.
- Los consejeros están disponibles por medio de citas o de acuerdo a la disponibilidad antes de el período de inscripción.
- Durante el período de inscripción los consejeros están disponibles sin cita, pero con disponibilidad limitada.
- Los consejeros están disponibles en línea en www.cerritos.edu/counseling.
- Una vez que comienza el semestre, se anima a los estudiantes nuevos, de readmisión y transferidos para que hagan una cita de consultoría o asistan a un taller de Planificación educativa para discutir las metas educativas y completar un plan educativo integral (C-SEP).

Estudiantes exortados a reunirse con un consejero cada semestre para garantizar que su plan de educación refleje con exactitud su meta educativa. Pida una cita o inscribirse en un taller de puesta a punto en el mostrador de consejería o llame al (562) 467-5231.

SEGUIMIENTO

Consejería y profesores proporcionan una serie de servicios de seguimiento a los estudiantes. Estos servicios están diseñados para proporcionar información con respecto al progreso académico de los estudiantes. Se prestan servicios especiales a estudiantes que están en académico y/o progreso condicional, alumnus en cursos de habilidades básicas, y a los estudiantes que se encuentran indecisos sobre su meta educativa. Cuando es necesario los estudiantes son referidos a servicios fuera de esta institución.

ENROLLMENT INSTRUCTIONS

MYCERRITOS ENROLLMENT DATES

June 3 – October 18, 2019

**Monday - Saturday
Sunday**

**2:00 am - midnight
8:00 am - midnight**

*Enrollment in late start classes continue through the day of the week prior to the start date.

ENROLLMENT APPOINTMENTS

- All eligible continuing students have the opportunity to enroll for classes on or after their scheduled appointment date and time. Refer also to the "Student Success and Support Program" section on page 4 for information on enrollment priority, loss of priority, and appeal information.
- Appointment information can be reviewed in your "Student Center".
- To get to the **Student Center**, please log into the Cerritos College web page at www.cerritos.edu.
- Select "**MyCerritos**" and log on by entering your User ID (your 7-digit student ID number). If your student ID number is 6 digits, please add a zero to the front of the numbers.
- Enter your password, which is your 6-digit date of birth (mmddyy) **unless** you have changed it. Please note that Cerritos College does not have access to passwords that have been changed.
- Once you have logged into **MyCerritos**, select **Student Center**.
- Your scheduled appointment date and time will appear in the yellow box under "**Enrollment Dates**" to the right of the page.

WHO MAY ENROLL USING MYCERRITOS

All continuing students (students who attended Fall 2018), new, returning, and transfer students who have met Student Success and Support Program requirements.

Exceptions:

- First-time students who have an Assessment (ASM) or Orientation (ORI) hold.
- Students who have a Dismissal (DIS) hold.
- Students who have a "PRB" and/or "100+" hold due to second semester probation or more than 100 units.
- Students who have a Loss of CCPG Fee Waiver (LBW) hold.
- Students with enrollment holds (NSF checks, library and athletic obligations, administrative holds, etc.)

Information regarding probation and 100+ unit holds may be found on page 4 under "Priority Enrollment Criteria and Conditions".

RECOMMENDATIONS BEFORE ENROLLMENT

Academic Advisement:

Students who need advisement assistance are encouraged to see a counselor prior to their MyCerritos enrollment appointment date.

Clear Holds:

All enrollment holds must be cleared prior to your enrollment date.

CalWORKs, DSPS, EOPS, Foster Youth, and Student Veterans:

Should first contact a counselor or specialist in their program for enrollment assistance.

PLAN YOUR CLASS SCHEDULE

- Check student data on enrollment appointment.** If there are corrections, please contact the Admissions and Records Office, in person, as soon as possible. Address, phone number, and email corrections can be made by using **MyCerritos, Student Center**.
- Check "Holds" and "To Do List" prior to enrolling on MyCerritos, Student Center.**
- List classes in priority order; 18 units maximum per semester.**
- List alternative classes** in case your class choices are not available. Pick alternatives with the same time offerings.
- Verify your placement scores and completion of prerequisites.** Identify required **LABS** and possible **CLASS TIME CONFLICTS**.
- Students can make PROGRAM CHANGES (class adds and drops) by MyCerritos after initial enrollment.**

WAIT LIST NOTES

- Cerritos College uses an "auto-enroll" process from wait list to roster. You are responsible for all drops.** If you do not want your wait-listed classes, please drop to avoid a substandard grade and forfeiture of enrollment fees. For more information on wait lists, see "Wait List" on page 17.
- Prerequisites ARE CHECKED WHEN YOU ARE PLACED ON A WAIT LIST.** They are also checked at enrollment. YOU MAY LOSE A SEAT if prerequisites are not met when the instructor adds you to a class, or "auto-enroll" is activated. "Auto-enroll" will automatically enroll students from the wait list to the official roster when space becomes available.
- If you are enrolled in a class AND are on a wait list for the same course (i.e., enrolled in SOC 101 and #1 on the wait list for SOC 101 at another time), you will lose a seat when "auto-enroll" tries to move you from the wait list to the official roster due to "Multiple Enrollment".**

TO ENROLL

Verify your appointment date and time. If you log on to **MyCerritos** **before** your appointment date and time, the system will not allow you to enroll. However, you may log on anytime on or after your scheduled appointment date and time during published enrollment hours.

- Go to **MyCerritos** (<http://my.cerritos.edu>) or the Cerritos College home page and select **MyCerritos**.
- Enter your User ID (7-digit student ID number) and Password (6-digit date of birth).
- Select "**Student Center**".
- Select "**Enroll**".
- Verify Term (Spring 2019).
- Enter Class Number and select "**Next**".
- Verify class information and availability, and select "**Next**". If your class is closed you may wish to be added to a wait list, if available. Check the "**Wait List**" box and select "**Next**".
- Your class is now in your "**Shopping Cart**". You may enter another class number or, if done, select "**Proceed to Step 2 of 3**".
- Confirm your class(es) and select "**Finish Enrolling**".
- Verify your status as "**Success**".
- To pay for your class(es), select "**Make a Payment**" and follow the directions for credit card payments.

PLEASE NOTE: Students wishing to take a short-term class that is a prerequisite to the subsequent short-term class may enroll **IN PERSON** for class.

Example:

1st 9 weeks

English 52

2nd 9 weeks

English 100

The student may enroll in English 52 on their scheduled appointment date via MyCerritos AND THEN enroll in English 100, on or after their scheduled appointment date, **IN PERSON** in the Admissions and Records Office.

PAYING YOUR FEES

IMPORTANT: Students are required to pay all fees at the time of enrollment. Payment plans are not available. Each enrollment in a class, or add to a wait list for a class, results in a fee amount due. Students adding their names to wait lists will be charged the applicable enrollment fees, tuition, and applicable lab/materials fees. The amounts due will appear on the student account. **PAY CLOSE ATTENTION TO ALL DEBTS LISTED FOR EACH TRANSACTION.** The California College Promise Grant (CCPG) waives students' course enrollment fees; **however, all other fees, including but not limited to the Student Health fee, Student Activity fee, and applicable lab/materials fees, are due and payable at the time of enrollment.** (See FEES on page 19 for waiver information.)

Enrollment Period	Payment Schedule	Failure to Pay on Time
June 3 – August 15, 2019	In Person: Monday-Thursday, 8 am-6:30 pm Friday, 8-11:30 am Online: Monday-Saturday, 2 am-midnight Sunday, 8 am-midnight	May result in a drop from classes and/or wait lists
Friday, August 16, 2019	In Person: Monday-Thursday, 8 am-6:30 pm Friday, 8-11:30 am	May result in a drop from classes and/or wait lists
August 19, 2019 – Instructor Add Period	Online: Monday-Saturday, 2 am-midnight Failure to Pay on Time	HOLD on all student accounts and records

ON THE WEB VIA MYCERRITOS ([HTTP://MY.CERRITOS.EDU](http://my.cerritos.edu)):

- After logging in, select “Student Center” on the MyCerritos home page.
- Under “Finances”, select “Make a Payment”.
- Fees must be paid by credit card (MasterCard, VISA, Discover or American Express).

BY MAIL:

- MyCerritos will indicate your total fees and the date your payment is due.
- Enclose a money order or cashier’s check, or complete the credit card information on your registration payment coupon. **Cerritos College does not accept personal checks.** Please make your payment in the exact amount due and print your Student I.D. number in the “memo” portion of your money order or cashier’s check.
- Send your payment to: Admissions and Records, Cerritos College, 11110 Alondra Boulevard, Norwalk, CA 90650

ON CAMPUS:

- Pay your fees on campus in the Admissions and Records Office. Fee windows are open 8 am – 6:30 pm, Monday through Thursday; and 8 –11:30 am, Friday. You may also drop your fee payment in the box provided in the Admissions and Records Office by 3 pm, Monday through Thursday, for same-day processing. **Cerritos College does not accept personal checks.**
- You will receive an enrollment print-out and receipt.

If you require further assistance, contact the Admissions and Records Office at (562) 860-2451, extension 2211, 8 am–7 pm, Monday through Thursday; 8 am–12 pm, Friday.

BECOME A LEADER – JOIN STUDENT GOVERNMENT

WWW.CERRITOS.EDU/ACTIVITIES



WAIT LIST

As you enroll in classes, you may find that some are “closed.” This means that these classes have reached maximum enrollment. In this event you may choose to add your name to the wait list. The number of additions to wait lists is limited to 10 units. Please follow the instructions in **MyCerritos, Student Center**.

Cerritos College has implemented a “paid” wait list. What this means is that once you have added your name to the wait list, you must pay all applicable fees for that class. Additionally, “auto-enroll” will be in operation. Auto-enroll will automatically enroll students from the wait list to the official roster when space becomes available. Auto-enroll from a wait list will not occur if:

1. Student has a hold (service indicator) on their account. Please check in **MyCerritos, Student Center**, under **Holds and To Do List**.
2. The class prerequisite has not been met.
3. Illegal course repetition has occurred (See the Admissions and Records web page for Academic Records and Standards petition).
4. There is a class time conflict. Students may not be enrolled in two classes that meet at the same time.
5. If you are enrolled in a class AND are on a wait list for the same course (i.e., enrolled in SOC 101 and #1 on the wait list for SOC 101 at another time) you will lose a seat when “auto-enroll” tries to move you from the wait list to the official roster due to “Multiple Enrollment”.

Auto-enrollment will continue through the Friday before classes begin. View your enrollment status on **MyCerritos** (<http://my.cerritos.edu>). Failure to attend class IS NOT an automatic drop or refund. If you do not want your wait-listed classes, please drop to avoid a substandard grade and forfeiture of enrollment fees.

Prompt attendance on the first day is recommended for all wait-listed students. Failure to attend will jeopardize your enrollment status.



Earn a Bachelor's Degree in Business on the Cerritos College Campus

- Degrees for working adults
- Year-round enrollment
- All classes taught on campus



Learn more at www.cerritos.edu/northwood

READING THE CLASS SCHEDULE

<p><i>Must satisfy requirements PRIOR to taking the course</i></p> <p><i>Time class meets. Evening classes are designated in bold print</i></p> <p><i>Class meets online</i></p> <p><i>Class number needed for enrollment</i></p> <p><i>Dates class meets</i></p>	<p><i>Course number</i></p> <p>ENGL 100</p> <p>20372</p> <p>20375</p> <p>20376</p> <p>20880</p> <p>21681</p> <p>22149</p> <p>22082</p> <p>23244</p> <p>Class#23244 meets 01/09/2012-03/09/2012</p> <p>23065</p> <p>Class#23065 meets 03/12/2012-05/18/2012</p>	<p>4.0 UNITS</p> <p>Transferable to UC, CSU</p> <p>Prerequisite: Satisfactory completion of the English Placement Process or ENGL 52 or equivalent with a grade of Pass or "C" or higher.</p> <p>11:00- 1:00PM MW</p> <p>2:00- 4:00PM MW</p> <p>3:00- 5:00PM TTh</p> <p>5:00- 7:00PM MW</p> <p>4.0 HRS ARR (OL)</p> <p>Mandatory Orientation: 7:00 - 9:00 am, Saturday - January 14 in PS20.</p> <p>7:00- 9:00AM TTh</p> <p>7:00- 9:40PM TTh</p> <p>Class#22082 meets 01/30/2012-05/18/2012</p> <p>8:00-12:00PM MW</p> <p>Class#23244 meets 01/09/2012-03/09/2012</p> <p>1:00- 5:00PM TTh</p> <p>Class#23065 meets 03/12/2012-05/18/2012</p>	<p><i>Course name</i></p> <p>FRESHMAN COMPOSITION</p> <p>(CAN ENGL 2)</p> <p>STAFF</p> <p>Clemens,S</p> <p>Ernest,R (HYBRID)</p> <p>O'Neil,S</p> <p>Swanson,J</p> <p>Mueller,B</p> <p>STAFF</p> <p>Conley,A</p> <p>STAFF</p>	<p><i>Classes meet both on campus and online- See definition below</i></p> <p><i>Online course- See definition below</i></p> <p><i>Instructor name</i></p> <p><i>Building & room number</i></p> <p><i>Specific instructor not yet designated</i></p> <p>CB101</p> <p>CB102</p> <p>LC213</p> <p>LC134</p> <p>ONLINE</p> <p>LC134</p> <p>CB103</p> <p>CB106</p> <p>CB102</p>
---	--	--	---	--

Online – Most work and communications occur online. Access to email and the internet is required.

Hybrid – Hybrid courses meet both on campus and online. See your instructor’s website for class meetings.



FEES/REFUND INFORMATION AND PROCEDURES

FEES

1. ***Enrollment Fee:** \$46 per unit.
2. **Non-Resident Tuition:** Students who are non-residents of California or International Students, with or without F-1 visas, will be assessed \$285 per unit (\$265 per unit non-resident tuition and a \$20 per unit capital outlay fee) in addition to the \$46 per unit enrollment fee above.
3. **Student Activity Fee:** \$10 per semester; \$4 for summer session. This fee is automatically charged and is due and payable at enrollment, but may be waived subsequently by the student. Fee purpose and waiver information is available online at both the Admissions and Records' and the Office of Student Affairs' websites.
4. **Student Health Fee:** \$19 per semester; \$16 for summer session. Students who rely on prayer for healing and can supply the college with documentation from their spiritual leader are exempt.
5. **Parking:** On-campus student parking for vehicles is \$40 for our spring and fall semesters (\$30 for California College Promise Grant recipients) and \$25 for our summer semester. A daily parking permit can be purchased for \$2 from our permit dispensers located on the Marquee off Alondra, on Falcon Way, and in Lot 1, Lot 6, Lot 8, and Lot 10. We also have timed parking with a 2 hour max which requires a timed parking permit that can be purchased from our permit dispensers located in Lot 2, Lot 6, and Lot 8.
6. **Lab/Materials Fees:** As listed with courses in this class schedule. Please note that failure to pay these fees may result in withdrawal from courses for lack of payment.

Students are required to pay all fees at the time of enrollment. Students adding their names to wait lists will be charged the applicable enrollment fees, tuition, and applicable lab/materials fees. Students who do not pay fees and drop classes after the refund date are still responsible for all fees. **California College Promise Grant Fee Waiver (CCPG) waives students' course enrollment fees; however, all other fees, including but not limited to the Student Health fee, Student Activity fee, and applicable lab/materials fees, are due and payable at the time of enrollment.** Payments for the parking, student activity, and student health fees may be subject to additional considerations.

A parking permit is required at all times to park a vehicle on our campus. The student activities fee is subject to student waiver. Information is available from the Office of Student Affairs located in the Student Activities Building. The Waiver Request form is available online at the Admissions and Records Forms web page. Revenue from the collection of this fee may be used by ASCC to support or oppose political measures. The student health fee may be waived with documentation from the student's spiritual leader that the student relies on prayer for healing.

*Subject to legislative change.

RESIDENT REQUIREMENTS

To be considered a California resident for purposes of admission to Cerritos College, a student is required to have resided in the state of California for at least one year and one day prior to the start of the semester for which the student is enrolling and present intent for one year and one day prior to the start of the semester for which the student is enrolling.

REFUND POLICIES AND PROCEDURES

It is the student's responsibility to apply for a refund. A student is eligible for a refund after classes have been officially dropped. Classes must be dropped by the appropriate deadline for the session in order to be eligible for a refund.

Stated deadlines are not adjusted due to late enrollment. Session dates and deadlines available for viewing online.

A student is eligible for a refund if: a) classes are dropped by the required deadline; b) the program change is the result of action taken by the college to cancel or reschedule a class; c) the student is dropped for failure to meet a prerequisite(s) or corequisite(s); and/or, d) the student is active or reserve U.S. Military personnel who withdraws due to military orders.

Eligible students may file a petition with the district requesting refund of their enrollment fee(s). A refund will not be processed if academic credit has been awarded for the class. Refunds are not automatically processed.

To request a refund, a student must come to the Admissions and Records Office and submit a Refund Request Form. The Refund Request Form is also available online and can be mailed to the Admissions and Records Office. Approved refunds will be mailed in approximately four to six weeks. Be sure your current mailing address is on file with the college.

A check is the only form of payment that Cerritos College uses to issue refunds. If a payment is made by credit card for any registration transaction, and you later drop any or all of your classes within the required refund period, we will NOT credit your credit card account. All refund checks are made payable to the student.

Refunds are made pursuant to Title 5, Section 58501 or 58501.1.

CREDITS/REFUNDS

Credits

Enrollment Fee, Non-Resident Tuition, and Capital Outlay Fee will be credited if the official drop has occurred within the appropriate deadline* for session or semester. This is in accordance with the Refund of Enrollment Fee Regulation, Title 5, 58508.

Student Health, Student Activity¹ and Parking Fees² will be credited only if all classes within the semester have been officially dropped within the appropriate deadline* for the semester.

* *Deadlines for fee credit are defined as the first two weeks of full semester length classes, or 10% of class meetings for shorter than semester-length classes.*

¹ *Student Activity sticker for the semester must be surrendered at the time of refund request. No refund will be given if sticker is marked or used.*

² *Parking Permit for the semester must be surrendered at the time of refund request.*

Refunds

A Refund Request Form must be completed to receive credit funds on the account. The Refund Request Form is available online on the Admissions web page under "FORMS", or in the Admissions and Records Office.

Time limit on requesting a refund: A one-year limitation exists on the credit. Students must apply for the refund between the beginning of the semester in which the credit was issued and the last day of the semester one year later. Example: Beginning of the Spring semester to the end of the Spring semester of the following year. Credit totals will be removed from the student account after this time.

**MYCERRITOS ACCEPTS PAYMENT BY MASTERCARD, VISA, DISCOVER OR AMERICAN EXPRESS CREDIT CARD.
This method of payment is encouraged for immediate confirmation of your enrollment.**

ACADEMIC INFORMATION

REPETITION OF COURSES

At Cerritos College, previous course enrollment is reviewed electronically for prior enrollment attempts. All courses have repetition limitations. Cerritos College offers some courses that have designated repeatability. Please review the catalog for maximum repeat units available.

Students may repeat a course in which a substandard grade (D, F, NP, FW) or “W” in any combination has been received one time. Students receiving any combination of substandard grades may petition the Academic Records and Standards Committee for an exception to the two attempts rule. All petitions are subject to approval or denial. Upon completion of a repeated course, the most recent grade earned will be computed in the cumulative grade point average and the student’s academic record so annotated.

When a student repeats a class to alleviate substandard academic work, the previous grade and credit shall be disregarded in the computation of grade point averages, but shall not be deleted from the student’s permanent record. Courses that are repeated shall be recorded on the student’s permanent academic record using an appropriate annotation. Annotating the permanent academic record shall be done in a manner so that all work remains legible, insuring a true and complete academic history.

Students may use an equivalent course from an accredited college or university to replace a Cerritos College course in which a substandard grade was recorded, if earned subsequent to the substandard grade at Cerritos College. The student must petition the Academic Records and Standards Committee to record the change. The College may honor the prior course repetition actions of other accredited colleges and universities in determining acceptance of credits, subject to student petition to, and approval by, the Academic Records and Standards Committee.

Examples of Exceptions for Consideration of Course Repetition Limitations

An Academic Records and Standards petition must be filed for official consideration of course repetition. All petitions are subject to approval or denial. Contact the Admissions and Records Office for specific directions.

1. Student received an “MW” (Military Withdrawal), or student received an “EW” (Extenuating Withdrawal).
2. Student’s previous grades are a result of documented extenuating circumstances beyond his/her control.
3. Cooperative work experience courses, subject to stated maximums, as provided in the College Administrative Procedures.
4. Certain activity or skill building courses, subject to stated maximums, as provided in College Administrative Procedures.
5. Certain classes for students with disabilities, subject to stated qualifications, as provided in College Administrative Procedures.
6. Repetition necessary for legally mandated training. Such courses may be repeated any number of times, regardless of whether or not substandard work was previously recorded, and the grade received each time shall be included for purposes of calculating the student’s grade point average.
7. After a significant lapse of time, a student may repeat a course in which a grade of “C” or better was received if the course is required by the district as a properly established recency prerequisite or another institution of higher education, to which the student is seeking to transfer, requires the student to have taken the course more recently than the student’s last enrollment (Title 5, Sections 55040(b)(3), 55053).

PASS/NO PASS CLASSES

Classes offered on a non-optional pass/no pass basis only will be indicated on a student’s permanent record as a “P” grade (with unit credit) or “NP” grade (no units earned). This will not affect the student’s grade point average. Optional pass/no pass courses are designed to encourage students to explore courses in areas they feel they may have an interest. See page 23 for guidelines and a list of approved courses in each department.

OPEN ENTRY/OPEN EXIT CLASSES

All students should meet with the instructor as soon as possible after the start of the session to inquire about enrollment (unless otherwise noted). A student may enter these classes at any time during the session prior to the specific cut-off date for the individual classes. The courses may be completed within the session in whatever time is necessary for the student to finish the course requirements.

DIRECTED STUDIES

Any student interested in pursuing independent projects on an individual basis for one or two units should contact a faculty member to determine if he/she is available to sponsor a directed studies project. Students may enroll in these classes only through the second week and with the authorization to enroll in Directed Studies Form, which must be signed by both the instructional dean and the faculty member conducting the Directed Studies.

WORK EXPERIENCE

Students may register for Cooperative Work Experience only through the second week of classes. Only a reduction of hours may be made after the first week.

PREREQUISITES, COREQUISITES, RECOMMENDATIONS AND PREREQUISITE CHALLENGE PROCEDURE

Please see “Prerequisites” in the Cerritos College Catalog.

DEFINITION OF A CLASS HOUR

A “class hour” is the basic unit of scheduled attendance and/or examination and is defined as a period not less than 50 minutes. A “clock hour” is a 60-minute time frame which is composed of one 50-minute class hour and a 10-minute segment referred to as a “passing period” or “break”. Classes scheduled for more than an hour follow formulas to stay within this definition. For example, a class scheduled from 8:00 to 8:50 has already incorporated the passing period and students must be in attendance for the full 50 minutes. Cerritos College has scheduled classes to account for the passing period and there is no need to leave 10 minutes early. Classes that meet for multiple hours may assign a 10-minute break between hours, but not in the last hour of attendance. Cerritos College follows these time patterns.

ACADEMIC INFORMATION

WITHDRAWALS [TITLE V, SECTION 58004 (C) (3)]

Pursuant to Title 5, section 58004 and Cerritos College Board Policy, it is the student's responsibility to participate fully in class (es), once enrollment is complete. However, should it become necessary to withdraw from class, it is the student's responsibility to drop in person in the Admissions and Records Office or through MyCerritos.

THE ULTIMATE RESPONSIBILITY OF WITHDRAWAL FALLS TO THE STUDENT.

How to officially withdraw after enrollment ends:

Complete an Add/Drop card (available in the Admissions and Records Office) or for a faster response, use MyCerritos (<http://my.cerritos.edu>). Retain an updated printout for your records.

ALL WITHDRAWALS MUST BE COMPLETED BY THE LISTED DEADLINES. FAILURE TO OFFICIALLY WITHDRAW FROM CLASS(ES) MAY RESULT IN AN "F/FW" GRADE FOR EACH CLASS. See the "Session Dates and Deadlines" now available online at: <https://www.cerritos.edu/admissions-and-records/add-drop-dates>.

WITHDRAWALS RESULTING IN PROGRESS PROBATION AND/OR GRADES RESULTING IN ACADEMIC PROBATION FOR TWO CONSECUTIVE TERMS CAUSE LOSS OF ENROLLMENT PRIORITY, WITH CERTAIN EXCEPTIONS, AND ARE SUBJECT TO APPEAL.

PROBATION

A. Academic Probation

Students who have attempted at least twelve (12) semester units as shown by the official academic record shall be placed on academic probation if the students have earned a grade point average below 2.0 in all units undertaken at Cerritos College.

B. Progress Probation

Students who have enrolled in a total of at least twelve (12) semester units as shown by the official academic record shall be placed on progress probation when the percentage of all units at Cerritos College which the students have attempted and for which entries of "W," "I," and "NP" are recorded reaches or exceeds 50 percent.

Probation is entered on the student's permanent records and transcripts of record. Students placed on academic or progress probation will be notified by email at the email address listed on the official college record.

Probation Clearance:

A. Academic Probation Clearance

Students may clear academic probation by earning sufficient grade points to raise the cumulative grade point average to 2.0 or higher in the next semester of attendance. Probation status is not cleared by one semester of 2.0 GPA if it does not raise the cumulative GPA to 2.0 or higher.

B. Progress Probation Clearance

Students may clear progress probation by decreasing the percentage of "W," "I," or "NP" entries to less than 50 percent of all units in which the students have attempted.

Appeals:

Appeals of the loss of enrollment priority must be submitted on the Enrollment Priority Appeals Petition available on the Admissions and Records website. Automatic clearance is provided to students who achieve Significant Academic Improvement as defined in regulations.

ADD/DROP PROCEDURES

If you wish to change your class schedule, please follow the steps below:

- Classes may be added via **MyCerritos, Student Center** (<http://my.cerritos.edu>).

To add a closed class, go to class on the first day and time that it meets; be on time. Respectfully request of the instructor(s) to be added to the class(es). If the instructor approves, an electronic enrollment will be submitted on your behalf to the Admissions and Records Office. Note that prerequisites, holds/service indicators (SI), conflicts, and illegal course repetition will be checked. Refer to the Fee Payment Schedule on page 16 for payment deadlines. Check your student account via **MyCerritos, Student Center** (<http://my.cerritos.edu>) or in the **Admissions and Records Office**. All enrollments must be completed by the listed add deadlines.

- Classes may be dropped via **MyCerritos, Student Center** (<http://my.cerritos.edu>). Be mindful of deadline dates for refunds and posting of "W's" to transcripts.

LEVEL/SECTION CHANGES

Level/section changes must be processed in person. Program changes which involve level changes in skill and performance classes may be made by the add deadline. Students may also make level changes in Work Experience classes by the add deadline, but only a reduction of hours may be made after the add deadline.

Section changes may not be made between terms or semesters. A student may not drop a first 6/8-week course and then enroll in a second 6/8-week course by executing a section change. The student is required to officially drop the first 6/8-week class and then pay the appropriate fees to be enrolled in the second 6/8-week class. The money will not transfer from one term to another if the drop is processed outside of the refund date.

WHAT CERRITOS COLLEGE OFFERS

- Freshman and sophomore level course work transferable to four-year colleges and universities.
- Vocational/Technical courses designed to prepare for immediate employment.
- General education course work designed for academic, cultural, and educational enrichment.

DEADLINES

Throughout the enrollment process (including class petitioning), certain deadlines are necessary in order to comply with state attendance laws and must be followed by all students. Failure to comply with these guidelines may mean that the student will not be enrolled and will not receive credit for, or be allowed to, attend classes. Stated deadlines are not adjusted due to late enrollment.

RETURNED CHECK POLICY

Personal checks are not accepted for payment of tuition, fees, and other costs. If a check is accepted for another purpose, a \$25 fee will be charged on all returned and stop-payment checks. All fees are subject to change without notice in accordance with action taken by the Board of Trustees. Under state law, including California Civil Code 1719, any person who writes a check which is dishonored for lack of funds is civilly liable, and under the law is liable for at least \$100 or three times the amount of the check, plus additional costs.

ACADEMIC INFORMATION

FAILURE TO PAY FINANCIAL OBLIGATIONS

Failure to pay a financial obligation will result in an administrative withholding of grades, transcripts, diplomas or enrollment privileges, or any combination thereof. The item or items being withheld shall be released when the financial obligation has been met (California Code of Regulations, Title 5, Section 59410).

AUDITING OF COURSES

Auditing courses is permitted at Cerritos College. An auditor is a student who attends a course or courses for no credit or notation on an official transcript. Auditing may be available, pending signed permission, for any student who wishes to attend a course for information, review purposes, or skill building. Students wishing to audit should be aware that audited courses will NOT appear on the official transcript.

1. Students may not audit a course unless he/she has **exhausted all possibilities to take the course for credit**.
2. If criteria is met, permission to audit a course is granted at the discretion of the instructor. Signature of both the instructor and division dean are required.
3. With the instructor's and division dean's signed permission, a student may submit the audit form to the Admissions and Records Office anytime during the semester after the first class meeting.

4. An auditor may be allowed to elect credit in lieu of audit **prior** to the end of the **5th week** of school for a semester length course or **prior** to 30% of a course for a short-term course, **with the instructor's written permission**. No refund of audit fees will be available and all credit fees must be paid in full at the time of credit election.
5. A credit student may be allowed to elect audit status in lieu of credit **prior** to end of the **5th week** of school for a semester length course or **prior** to 30% of a course for a short-term course, **with the instructor's written permission**. No refund of credit fees will be available after the refund deadline and all audit fees must be paid in full at the time of audit election.
6. Credit students have priority over auditing students. If a course closes after an auditor has been admitted, the auditor may be asked to withdraw to make room for a credit student. Instructor discretion is strongly recommended.
7. The fee to audit a class is **\$15** per unit (in addition to the student fees). Students enrolled in 10 or more units can audit 3 units free (may be 3 one-unit classes). The **\$15** per unit audit fee will automatically be charged if the student drops below 10 units.

For additional information regarding auditing, students may make inquiries at the Counseling Office, Office of Academic Affairs, division office, or the Admissions and Records Office. Audit forms may be obtained in the Admissions and Records Office.

CREDIT BY EXAM CLASSES

Occasionally a student may feel that he/she can earn credit for a certain course by taking a special examination. The student may have gained proficiency through work experience, travel, or independent study. In these cases, a student may petition to receive unit credit by taking an exam prepared by the department. For more information, contact your counselor.

Credit by Examination will not be offered this semester by the Modern Languages Department.

The following courses have been designated by the divisions as those which may be taken for credit by examination:

BUSINESS, HUMANITIES, & SOCIAL SCIENCES

Accounting 100
Administration of Justice (all courses except for AJ 71, 91, 107, 173, 220)
Business Administration 106, 107, 114, 115, 118, 120, 132, 156
Business Communications Office Technology 131

FINE ARTS & COMMUNICATIONS

Art 120
Music 100, 101, 102, 103, 104, 104B, 105, 106, 110, 112, 120
Photography 160
Theatre 101, 102, 103, 110, 150, 151

HEALTH OCCUPATIONS

Child Development/Early Childhood 161
Culinary Arts 101
Dental Assisting 51, 52, 53, 54
Health Occupations 152
Medical Assisting 63, 161
Nursing (all courses)
Pharmacy Technician 50, 83, 85

HPED/ATHLETICS

Health Education 100

SCIENCE, ENGINEERING, & MATH

Astronomy 102, 103
Physics 100

TECHNOLOGY

Autobody 51, 61, 181
Automotive 100, 101, 110, 120, 130, 140, 150
Engineering Design Technology 103, 104, 105, 116, 131, 133, 138, 237, 257, 259, 260, 261, 262, 263
Engineering Technology 101, 102
Machine Tool Technology 51, 59, 68, 71, 72, 180, 278
New Product Development 100, 101, 102, 103, 104, 105, 106
Plastics Manufacturing Technology 51, 53, 61, 67, 70, 72, 100

PASS/NO PASS CLASSES

The option to enroll in a pass/no pass class is designed to encourage students to explore courses in areas they may feel they have an interest. Only these courses listed specifically for pass/no pass may be taken on this basis. Units thus earned may be counted toward the A.A. degree, but grade points are not assigned to pass/no pass grading symbols.

Courses approved for pass/no pass will be indicated on the student's permanent record as "P" with units earned and no grade points; or "NP" with no units earned and no grade points. Units attempted for which "NP" is recorded shall be considered in probation and dismissal procedures. The student is required to take all tests, complete all assignments, and shall be subject to all withdrawal and attendance regulations. Standards of evaluation are identical for all students. Please refer to the college catalog for additional information.

Non-Optional Pass/No Pass Classes

These classes are offered on a pass/no pass basis only and are graded entirely on a pass/no pass basis.

APPRENTICESHIP

Fire Sprinklers 72.01, 72.02, 72.03, 72.04, 72.05, 72.06, 72.07, 72.08, 72.09, 72.10, 72.11, 72.12, 72.13, 72.14, 72.15, 72.16, 72.17, 72.18, 72.19, 72.20, 72.21, 72.22, 72.23, 72.24, 72.25

BUSINESS, HUMANITIES, & SOCIAL SCIENCES

Law 1T

COUNSELING 10, 50, 100, 101A, 101B, 101C

DISABLED STUDENT PROGRAMS & SERVICES

Access Learning 90, 91, 92

HEALTH OCCUPATIONS

Dental Assisting 1

Health Occupations 7

Nursing 5, 25, 26, 48T, 57LA, 57LB, 57LC, 57LD, 251

Physical Therapist Assistant 126, 236, 246

HPED/ATHLETICS

Dance 50, 108C

LIBERAL ARTS

English as a Second Language 36

Reading 6, 41

LIBRARY 50, 100, 101

SCIENCE, ENGINEERING, & MATH

Biology 95

Chemistry 95A, 95B, 95C, 95D, 95E, 95F

Math 5

Physics 95

TECHNOLOGY

Woodworking Manufacturing Technology 291

Optional Pass/No-Pass Classes: 15-unit limit

The student shall petition for an optional pass/no pass course through the Admissions and Records Office. The request for such a class must be completed no later than the end of the first 30% of the term. A student may be allowed to elect a letter grade in lieu of the pass/no pass option prior to completion of 30% of the course. See college catalog for additional information.

BUSINESS, HUMANITIES, & SOCIAL SCIENCES

(all business courses, except Business Administration 109, 116, 124, 125, 126, 208, 233; Law 65, 104, 105, 115, 150, 160, 171, 172, 290; Real Estate 98, 99, 101, 120, 125, 130, 151, 174A; or those listed under Non-Optional Pass/No Pass classes)

Administration of Justice 101, 102, 103

Anthropology 170, 203

Economics 101, 204

Education/Elementary School Teachers 105

History 120, 230, 245, 250, 255, 260, 265

Interdisciplinary Studies 100

Philosophy 100, 102, 103, 104, 106, 200, 298, 299

Political Science 90, 110, 210, 230

Sociology 110, 205, 220

Women's and Gender Studies 115, 140

COUNSELING 200, 210, 220, 298, 299

DISABLED STUDENT PROGRAMS & SERVICES

Access Learning 101

FINE ARTS & COMMUNICATIONS

Art 106, 110, 114, 116, 118, 120, 133A, 150, 155, 156L, 171, 182A, 191A, 191B, 193, 194A

Film 101, 103, 104, 159, 160, 293

Journalism 100, 101, 106, 107, 111, 119

Music 100, 101, 102, 103, 104, 104B, 112, 139, 143, 152, 153, 171, 244

Photography 100, 171

Theatre Arts 101, 107, 115, 120, 123, 123A, 126, 144, 150, 151, 171, 208, 216, 221, 221A, 222

HPED/ATHLETICS

Athletics 102, 202L

Dance 100, 101, 105, 106A, 106B, 107, 108A, 108B, 109, 110, 112, 120, 121, 122, 123, 124, 125, 126, 130A, 130B, 131, 132, 133, 134, 135, 136, 140, 141, 142, 143, 144, 150, 151

Health Education 100, 101, 110, 200, 201, 202

Kinesiology 110, 205, 206A, 206B

Physical Education (all activity courses)

HEALTH OCCUPATIONS

Health Occupations 150

Nursing 80

LIBERAL ARTS

(all courses, except American Sign Language 110, 111, 210, 211, 220, English 225, 239, and 250, French 285, and Spanish 285, or those listed under Non-Optional Pass/No Pass classes)

SCIENCE, ENGINEERING, & MATH

Anatomy and Physiology 120, 150, 151, 200, 201

Biology 100, 105, 110, 115, 120, 200, 201, 202

Botany 120

Chemistry 100, 110, 111

Computer and Information Sciences (all courses, except CIS 160, 162, 164, 170A, 170B, 170E, 170F, 170G, 170H, 170I, 170K, 170L, 170P, 170R, 170S, 185, 200A, 207, 231, 286, 288, 292)

PASS/NO PASS CLASSES

Earth Science 101, 102, 104, 104L, 106, 110
Energy 100
Environmental Policy 200
Geography 101, 101L, 102, 103, 105, 140, 160
Geology 100, 101, 102, 102L, 103, 103L, 105L, 120, 201, 204, 207, 208,
209
Mathematics 20, 40, 60, 70, 75, 80, 80A, 80B, 105, 110A, 110B, 112, 114,
115, 116, 140, 170
Microbiology 200
Physical Science 100
Physics 100
Zoology 120

TECHNOLOGY

Architecture (all courses except for ARCH 101, 110, 112, 222)
Automotive Collision Repair 51, 52, 53, 54, 55, 56, 57, 58L, 59E, 59M,
59P, 59U, 61, 61L, 62, 63, 64, 65, 66, 67, 68L, 73, 74, 75, 76, 77, 79L, 80,
83A, 83P, 83U, 86, 88, 98, 99, 181, 182, 183, 188, 281, 282, 283, 285, 286,
287, 288
Automotive Mechanical Repair 5, 54, 55, 60, 73, 74, 80, 98, 99, 100, 109,
110, 111, 120, 121, 130, 140, 150, 151, 160, 161, 170, 179, 180, 181, 190,
193, 194, 195, 210, 211, 280, 281
Cosmetology 54, 55, 60A, 70A
Engineering Design Technology 102, 106, 137, 138, 139, 237, 267, 299
Machine Tool Technology 51, 52, 56, 57, 59, 62, 78, 91L, 92L, 94L, 95L,
100, 111, 112, 168
Manufacturing Technology 53, 54
Plastics/Composites Manufacturing Technology 53, 59, 61, 63L, 67, 68,
70, 72, 76, 98, 99, 100, 221
Welding 43, 44, 52, 53, 98, 99, 100, 120, 130, 200, 220, 240L, 250L
Woodworking Manufacturing Technology 1, 43, 44, 80, 98, 99, 100,
102, 107, 108, 111L, 117, 118, 119L, 120, 123, 132, 134, 135, 135L, 144,
151, 153, 155, 157, 181, 182, 182L, 183, 211, 212, 222, 223, 224, 228,
229L, 231, 232, 233, 235, 237, 239L, 246, 249L, 250, 252, 258, 269L,
281, 282

COURSE REPEATABILITY

Effective Fall 2013, repeatability in Dance, Drama, Physical Education, Visual Arts, and most Music courses has been changed. Intercollegiate Athletics and some Music and Theater courses that are required for transfer programs are the only courses in these disciplines that will remain repeatable; all other courses previously offered as repeatable will be offered as single enrollment courses. There will be a notation after the course description if the course is allowed to be repeated.

The college has developed Families of Courses. The Families of Courses include old and new courses related in content (see below for Families of Courses listed by department). A family of courses may consist of more than four courses, but students are limited to a maximum of four courses in any family. Further, all grades, including “W”s, will count toward the four-course enrollment limitation. Students can repeat Art, Dance, Drama, Music, and PE courses that are included in Families of Courses in which a grade of “NP”, “D”, or “F” was earned or a “W” was assigned; however, all enrollments count toward the four-enrollment maximum for each family of courses.

FAMILIES OF COURSES

ART AND DESIGN

3D Animation

Art 191A, 191B, 195

Calligraphy

Art 180, 181, 183A, 183B, 287A, 287B

Ceramics

Art 150, 151, 152, 153, 154, 252, 253

Computer Graphics

Art 184, 186, 189L, 284

Digital Painting

Art 196

Drawing

Art 111, 114, 183, 185, 285

Foundation Design Principles

Art 110, 120, 121

Graphic Design

Art 184, 284

Lettering and Typography

Art 182A, 182B

Life Drawing

Art 112, 213, 214, 232

Life Painting

Art 237, 238, 239

Motion Graphics

Art 198

Motion Picture Editing

Art 192, 192B

Multimedia Design

Art 194

Painting

Art 130A, 130B, 136, 231

Print Making

Art 116, 117, 218, 219

Water Coloring

Art 133A, 133B, 134, 135

COMMUNICATIONS STUDIES

Forensic Activity

Communications Studies 231, 232, 233

COUNSELING

Educational Planning

Counseling 101A, 101B, 101C

DANCE

Adaptive Dance

Dance 102

Ballet

Dance 106A, 106B, 107

Commercial Dance

Dance 110, 124, 126

Dance Composition

Dance 130, 130A, 130B

Dance Documentation

Dance 131, 132

Formal Dance Performance

Dance 133, 134, 136, 150

Informal Dance Performance

Dance 50, 135, 151

Introductory Dance

Dance 105

Modern Dance

Dance 108A, 108B, 108C

Partnering

Dance 120, 121, 125

Tap Dance

Dance 142, 143

Theatrical Dance

Dance 112, 140, 141, 144

World Dance

Dance 109, 122, 123

FILM

Motion Picture

Film 101, 104, 107, 293

Television

Film 102, 103

JOURNALISM

College Newspaper

Journalism 107, 107A, 107B, 107C, 107D

LIBRARY

Library Research

Library 100, 101

MUSIC

Guitar Studies

Music 120, 121, 122, 123

Piano

Music 112, 113, 115, 144

Vocal Studies

Music 116, 117, 118, 119, 143

PHYSICAL EDUCATION

Adapted Activities

PEX 100, 100A

Adapted Aquatics

PEX 105, 106, 106A

Adapted Fitness

PEX 101, 102, 104, 109

Adapted Individual Sports

PEX 108

Adapted Muscular Conditioning

PEX 103, 103A

Adapted Team Sports

PEX 107, 107A

Aerobics

PEX 110, 111, 112, 113

Badminton

PEX 161, 162, 261

COURSE REPEATABILITY

Baseball

PEX 163, 263

Basketball

PEX 165, 166, 265, 266

Bowling

PEX 167, 267

Cardiovascular Fitness

PEX 118, 119, 120, 121, 122, 132

Cheer

PEX 169, 170, 171, 271

Football

PEX 172, 272, 274

General Fitness

PEX 124, 126, 130

Golf

PEX 176, 276

Indoor Fitness

PEX 134, 135, 136

Muscular Conditioning

PEX 145, 245, 246

Pilates

PEX 155, 156, 157

Self Defense

PEX 147, 148, 149, 150, 249

Soccer

PEX 177, 178, 179, 278

Softball

PEX 181, 281, 282

Swimming

PEX 184, 185, 186, 284, 285

Tennis

PEX 188, 189, 288, 289

Volleyball

PEX 191, 192, 291, 292

Walking, Jogging and Running

PEX 138, 139, 140, 141, 142, 240

Water Aerobics

PEX 116, 117

Wrestling

PEX 194

Yoga

PEX 151, 152, 153

THEATER

Acting

Theatre 107, 110, 111, 212, 213, 216

Costuming

Theatre 144, 221, 221A

Crew

Theatre 109, 133, 134

Improvisation

Theatre 108, 117, 208

Make-Up

Theatre 123, 123A

Musical Theater

Theatre 105, 146, 147

Portable Entertainment

Theatre 223, 224, 225

Rehearsal and Performance

Theatre 130, 131, 132

Touring Theater

Theatre 136, 137



ATTENDANCE AND GRADING

ATTENDANCE

It is the responsibility of students to attend classes regularly and apply themselves to the college studies in which they are enrolled. When students have been absent due to illness, they should report to their instructor to explain the absence. **Students not in attendance or late for the first class meeting are subject to drop. Students who are absent in excess of 10% of the total class hours are subject to drop. Students who are absent during the course add period are subject to drop.** Certain academic and career technical education areas may have stricter attendance requirements. Listed below are two types of absences which permit the making up of work missed, provided that the work is of such a nature that it can be made up.

1. **AUTHORIZED ABSENCE:** For an approved educational field trip or school activity.
2. **EXCUSED ABSENCE:** For illness, injury, or quarantine.

NO CREDIT WILL BE GIVEN FOR A CLASS IN WHICH A STUDENT IS NOT OFFICIALLY ENROLLED. Students must attend the first class meeting or their names may be removed from the roll to allow another student seeking admission to enter. If a student is unable to attend the first class meeting, the instructor must be notified.

REMOVAL FROM CLASS

A student may be involuntarily removed from a course due to excessive absences, failure to meet prerequisite(s), or as a result of official disciplinary action (California Code of Regulations, Title 5, Section 55003).

GRADING

Accomplishment in course work is indicated by the following symbols:

Symbol	Definition	Grade Point
A	Excellent	4
B	Good	3
C	Satisfactory	2
D	Passing, less than satisfactory	1
F	Failing (earned)	0
FW	Failing, due to lack of participation and failure to withdrawal	0
I	Incomplete	-
P	Pass (at least satisfactory, the equivalent of a "C;" units awarded not counted in GPA)	-
NP	No Pass (less than satisfactory or failing; units not counted in GPA)	-
EW	Extenuating Withdrawl (without penalty)	-
MW	Military Withdrawal (without penalty)	-
W	Withdrawal	-
RD*	Report Delayed	-

* The RD symbol is used when there is a delay in reporting the grade of a student due to circumstances beyond the control of the student. It is a temporary notation to be replaced by a permanent symbol as soon as possible. RD shall not be used in calculating grade point averages.

INCOMPLETE

Students are not to re-enroll or audit a course in which a grade of "I" has been recorded. Incomplete academic work for unforeseeable, emergency, and justifiable reasons at the end of the term may result in an "I" symbol being entered in the student's record. The condition for removal of the "I" shall be stated by the instructor in a written record. This record shall contain the conditions for removal of the "I" and the grade assigned in lieu of its removal. This record must be given to the student with a copy on file with the Admissions and Records Office until the "I" is made up or the time limit has passed. A final grade shall be assigned when the work stipulated has been completed and evaluated, or when the time limit for completing the work has passed. The "I" may be made up no later than one year following the end of the term in which it was assigned. The "I" symbol shall not be used in calculating units attempted, nor for grade points. A student may petition for a time extension due to unusual circumstances by completing a petition form from the Admissions and Records Office.

GRADE CHANGES

The determination of the student's grade by the instructor shall be final in the absence of mistake, fraud, bad faith, or incompetency. The correction of a grade given shall only be allowed for a request initiated within one year following the end of the term in which it was assigned. Exceptions to the one-year limit on grade changes may be requested by petition of the student in extenuating circumstances. A formal petition must be submitted to the Academic Standards Committee. Extenuating circumstances are verified cases of accident, illness, or other circumstances beyond the control of the students (Title 5, Section 55760, Board Policy 4231).

GRADE REPORTS

To view your grades, log in to your MyCerritos account and select "Student Center", followed by "My Academics", and finally "Unofficial Transcript". Grades are not mailed to students.

FINANCIAL ASSISTANCE

FINANCIAL AID INFORMATION

The Financial Aid Office is available to answer financial aid questions and assist students with applying for financial aid.

Services:

- ◆ **Financial Aid Office Drop-Box** is available for submitting required documents.
- ◆ **Online Video Clips** about financial aid topics can be viewed at <https://cerritos.financialaidtv.com>.
- ◆ **Computer Stations and Staff** are available to assist with the following:
 - Submit a Free Application for Federal Student Aid (FAFSA)
 - Submit a California Dream Act Application
 - Check your To Do List in MyCerritos
 - IRS Data Retrieval
 - View disbursements via MyCerritos
 - Activate Cerritos Falcon Card
 - Apply for a loan
 - Accept/deny loans
- ◆ **Workshops** are available for students with topics such as:
 - Financial Aid 101
 - Limits on Financial Aid
 - Paying for Transfer Education
 - California Dream Act Application
 - FAFSA Workshop
 - Financial Literacy

Contact Information:

Office Hours: Monday through Thursday
8 am to 7 pm
Friday
8 am to 12 pm

Website: www.cerritos.edu/finaid

Phone: (562) 860-2451, ext. 2397

E-mail: finaid-staff-list@cerritos.edu

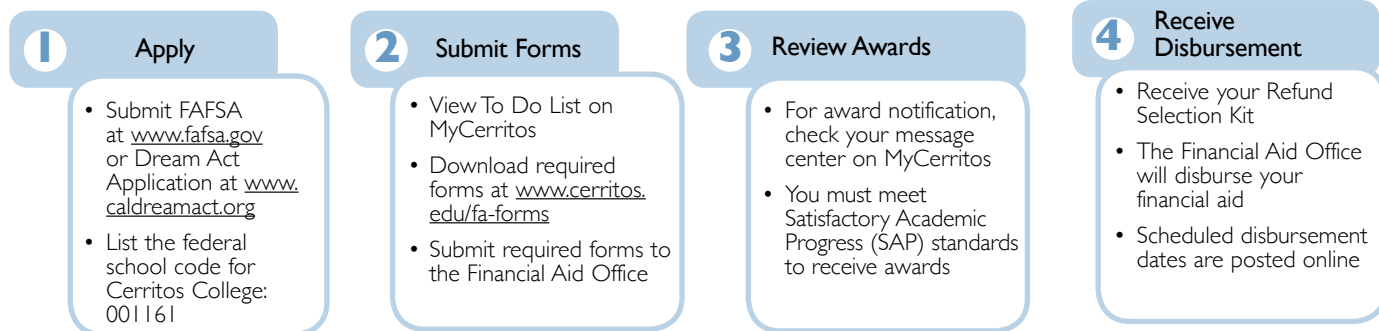
Fax: (562) 467-5035



New! Online Check-in system. Save time, skip the line. Text “Cerritos College” to 562-375-4979 to join the line.

FINANCIAL AID PROCESS

Apply every academic year. Applications cover Fall, Spring, and Summer. Applications become available in October.



IMPORTANT POINTS OF SATISFACTORY ACADEMIC PROGRESS (SAP)

To be eligible for federal and state financial aid funds (excluding the California College Promise Grant*), a student must make satisfactory academic progress. The Financial Aid Office at Cerritos College has established the following Satisfactory Academic Progress (SAP) standards to determine if a student is making satisfactory academic progress.

Grade Point Average (GPA) Requirement

You must maintain a 2.0 cumulative Grade Point Average (GPA).

Maximum Time Frame Requirement

Students must complete their educational program within a maximum time frame of 150% of the published program's required units at Cerritos College. For example, associate in arts degree and transfer programs generally require 60 units. Therefore, 150% of those programs would be 90 units (60 units x 1.5).

Unit Completion Requirement – Pace of Progress

Students are required to complete 67% of the units they have attempted. The cumulative units completed will be divided by the cumulative units attempted to calculate the pace of progress. All units are considered in his calculation. Units for which a grade of W, FW, NP, NC, and/or F was received are considered as units attempted, but not completed.

*Students must meet institutional academic and progress standards for the California College Promise Grant.

ADMISSION AND ENROLLMENT OF SPECIAL ADMIT MINORS

Special Admit Minors are students enrolled in grades K-12 without high school diplomas, who can benefit from "advanced scholastic or career/technical work."

HIGH SCHOOL JUNIORS AND SENIORS (COLLEGE BRIDGE PROGRAM)

1. The high school principal or designee must recommend and give consent with signature on the Special Admit Minor Form that the student would benefit from college instruction.
2. A parent/guardian must approve student's participation and give consent by signing the Special Admit Minor Form. Signature of the parent/guardian also acknowledges that the student will conform to all College policies and procedures.

Academic Eligibility

- Students planning to enroll in degree appropriate courses must have a cumulative high school grade point average of 2.0 or higher shown on their most recent school transcript.
- For all courses attempted, students must complete the appropriate College assessment process and meet the stated prerequisite and/or co-requisite for the desired course.
- Students who require accommodations due to a disability should make arrangements through their K-12 school district, in consultation with the Disabled Student Programs and Services (DSPS) Office at Cerritos College. Please call (562) 860-2451, ext. 2335, for assistance.

Limitations on Enrollment

- A high school junior or senior student may be permitted to enroll in up to 8 units. Exceptions may be made, subject to consideration and approval by the Dean of Admissions, Records, and Services.
- Students may not enroll in pre-collegiate courses (1-99) or physical education courses.
- Students may not enroll in a College course to alleviate a high school deficiency.
- Students who have previously enrolled and who have dropped their courses and/or have not made satisfactory progress will not be allowed to continue in the College Bridge Program.
- Students will not receive priority enrollment status and will be charged all applicable fees, with the exception of the California Community College in-state per unit enrollment fee.

ELEMENTARY AND SECONDARY STUDENTS THROUGH THE 10TH GRADE (SPECIAL ADMIT PROGRAM)

1. The school principal or designee must recommend and give consent with signature on the Special Admit Minor Form that the student would benefit from college instruction.
2. A parent/guardian must approve student's participation and give consent by signing the Special Admit Minor Form. Signature of the parent/guardian also acknowledges that the student will conform to all College policies and procedures.

Cerritos College will admit highly gifted elementary students and secondary students through the 10th grade level for enrollment to the College if they are eligible to participate based on the following criteria:

Academic Eligibility

- Students must have a cumulative school grade point average of 2.5, or higher, as reflected on the most recent school transcript.
- For all courses attempted, the students must complete the appropriate College assessment process and meet the stated prerequisite and/or co-requisite for the desired course.
- Students who require accommodations due to a disability should make arrangements through their K-12 school district, in consultation with the Disabled Student Programs and Services (DSPS) Office at Cerritos College. Please call (562) 860-2451, ext. 2335, for assistance.

Limitations on Enrollment

- Students in grades K-10 may be permitted to enroll in up to 4 units. Exceptions may be made, subject to consideration and approval by the Dean of Admissions, Records, and Services. Enrollment in courses is based on space availability, and the College instructor's signature is required prior to enrollment.
- Students may not enroll in pre-collegiate courses (1-99) or physical education courses.
- Students may not enroll in a College course to alleviate a high school deficiency.
- Students who have previously enrolled and who have dropped their courses and/or have not made satisfactory progress will not be allowed to continue in the Special Admit Program.
- Students will not receive priority enrollment status and will be charged all applicable fees, with the exception of the California Community College in-state per unit enrollment fee.

SUMMER ENROLLMENT OF K-12 STUDENTS

In addition to the above, minor students wishing to attend summer session must meet the additional criteria:

- The student demonstrates adequate preparation in the discipline to be studied.
- Pre-collegiate courses in English and mathematics may be taken if the student has exhausted all opportunities to enroll in an equivalent course at their school of attendance.

TO ATTEND CERRITOS COLLEGE AS A COLLEGE BRIDGE OR SPECIAL ADMIT STUDENT, PLEASE FOLLOW THE STEPS BELOW:

1. Complete the Special Admit Minor Form (check the box for College Bridge or Special Admit) and the Cerritos College Admission Application.
2. Review class(es) of choice, complete Assessment Test(s) and prerequisites.
3. Special Admit Students (K-10) must obtain Dean of Admissions, Records, and Services signature prior to enrollment.

It is recommended that College Bridge students (11-12 graders) meet with a Cerritos College academic counselor and participate in the New Student Orientation.

For more information, please call (562) 860-2451, ext. 2211.

OFFICE OF INTERNATIONAL STUDENT SERVICES



Cerritos College is a Student and Exchange Visitor Program (SEVP) certified and approved institution for nonimmigrant students.

The Office of International Student Services (OISS) welcomes international students to Cerritos College. Whether planning to achieve an Associate Degree and/or transfer to top universities, OISS is committed in assisting all students to reach their goal(s)! Visit the Office of International Student Services, located in the Santa Barbara Building, for the following services:

International Admission and Counseling Assistance: Assist F-1 international students with the admission process, academic advisement, orientation, registration, and cultural adjustment to the United States, Cerritos College, and our surrounding communities.

Intensive English Program (IEP): Cerritos College welcomes international students to develop English skills while introducing them to the American experience and to the diverse cultures of Southern California. Students completing Cerritos College IEP will have the opportunity to continue their education by transferring into the academic program for completion of an Associate of Arts degree and/or to transfer to a university.

Questions may be directed to the Office of International Student Services by phone at (562) 860-2451, ext. 2133, or by email at: oiss@cerritos.edu. Please visit our website at www.cerritos.edu/oiss for additional information or on Facebook at Cerritos College Office of International Student Services.

APPLICATION REQUIREMENTS

The following documents are required for admission to Cerritos College:

- International Student Admission Application (your name must appear the same as in your passport)
- A \$50 processing fee payable to Cerritos College
- Notarized Statement of Support (must be completed by a financial sponsor)
- Bank Certification (verification on bank letterhead, signed by a bank official, showing at least \$22,000, or equivalent, is available to the student). Personal checks will not be accepted for payment of tuition and fees.
- Tuberculosis (TB) exam results
- Transcripts (proof of high school graduation)/High School Diploma
- TOEFL, STEP, iTEP, and/or equivalent Cerritos College Placement Test (not required for students applying for the Intensive English Program)
- Copies of Passport, Visa, and I-94
- Copies of ALL I-20s (both SEVIS and Non-SEVIS I-20s)
- Transfer Authorization (if transferring from U.S. college or language school)
- Purchase of Medical Insurance: Cerritos College international students are required to purchase college-approved coverage from the Student Insurance Company - more information can be found on our website at <http://www.cerritos.edu/oiss/medical-insurance-requirement-1.htm>.
- Dependents: Attach a copy of the passport, marriage certificate, and/or birth certificate for each dependent. All dependents are required to have health insurance. Add \$3,000 per dependent to the Bank Certification.
- SEVIS I-20 fee of \$200 (preferred payment by credit card on the internet at www.fmjfee.com).

Note: We will assist students with other non-immigrant visa status (i.e., B-2, F-2, J-1, etc.) to change to F-1 student status.

International Student Advisement: Assist F-1 international students to stay in compliance with the United States Citizenship and Immigration Services (USCIS) and other U.S. and foreign governmental agencies while enrolled in full-time status at Cerritos College.

Workshops and Programs: Provide academic and immigration workshops as well as programs and activities to enhance student academic, personal, and cultural experiences.

Global Studies Club: A club run by students for students. We welcome all students to join for development of social and cultural skills, educational and professional experiences, and most importantly: to make friends from all around the world!

F-1 INTERNATIONAL STUDENT REQUIREMENTS

MAINTAINING F-1 INTERNATIONAL STUDENT REQUIREMENTS

- Enroll in a minimum of **12 units (full-time)** for the Fall and Spring semester
- Maintain a minimum 2.0 grade point average (C grade or better) each semester
- Limit enrollment in online classes to a maximum of 3 units as part of the 12-unit requirement
- Meet with the International Counselor each semester and as needed
- Meet with the International Counselor prior to dropping classes, changing class schedule, or concurrent enrollment at another school
- Enroll for classes on registration appointment date and pay fees by semester deadlines
- Will not work on or off-campus without authorization
- Purchase health insurance from the college approved carrier each academic year
- Notify the OISS of any changes and updates within 10 days on the following personal and college application information: name change, home address, email address, phone numbers, major and field of study, financial support, and dependents information.
- Meet with a Designated School Official (DSO) prior to traveling outside the U.S. and present I-20 and passport.
- File Internal Revenue Form 8843 annually. Download form at: www.irs.gov/Forms-&Pubs.
- File state and/or federal income tax if participating in APPROVED on or off-campus employment.
- **Falsification, Plagiarism, and Cheating** are violations of academic dishonesty and such actions are causes for termination of F-1 status and I-20 at Cerritos College.

Beginning May 29, 2015, F-2 children and/or the spouse of an F-1 student in the United States may study part-time in any certified program at an SEVP-certified school, so long as the study does not amount to what regulations define as full-time for F-1 students. For further assistance, please contact the Office of International Student Services at (562) 860-2451, ext. 2133, or via email at oiss@cerritos.edu.

Class#	Time	Day	Instructor	Room	Class#	Time	Day	Instructor	Room
ACCESS LEARNING									
ACLR 91 - 1.0 UNIT CAREER EXPLORATION FOR THE STUDENT WITH DISABILITIES									
Not Transferable									
21396	11:00-11:50AM	MW	Segura,A	LA131					
Class# 21396 meets 10/21/2019-12/18/2019									
ACLR 101 - 2.0 UNITS INCREASING YOUR ACCESS POTENTIAL									
Transferable to CSU									
28147	9:00-10:50AM	MW	Segura,A	LA131					
Class# 28147 meets 08/19/2019-10/16/2019									
29465	9:00-10:50AM	MW	Segura,A	LA131					
Class# 29465 meets 10/21/2019-12/18/2019									
ACCOUNTING									
ACCT 60 - 1.5 UNITS QUICKBOOKS ACCOUNTING									
Not Transferable									
NOTE: a material fee of \$2.50 is required for ACCT 60									
21945	3.0 HRS ARR	(OL)	Ambriz,L	ONLINE					
Note: For class information and orientation, visit the Canvas website.									
Class# 21945 meets 08/19/2019-10/18/2019									
ACCT 61 - 1.5 UNITS TURBO TAX ACCOUNTING									
Not Transferable									
NOTE: a material fee of \$2.50 is required for ACCT 61									
21950	3.0 HRS ARR	(OL)	Fronke,M	ONLINE					
Note: For class information and orientation email instructor at mfronke@cerritos.edu									
Class# 21950 meets 08/19/2019-10/18/2019									
21951	3.0 HRS ARR	(OL)	Fronke,M	ONLINE					
Class# 21951 meets 10/21/2019-12/20/2019									
ACCT 100 - 3.0 UNITS INTRODUCTION TO ACCOUNTING									
Transferable to CSU									
21900	8:00-9:15AM	MW	Alenikov,T	SS140					
21901	9:30-10:45AM	MW	Alenikov,T	SS140					
21902	11:00-12:15PM	MW	Tsang,W	BE109					
21903	7:00-9:50PM	T	Eliassen,A	BE111					
21904	7:00-9:50PM	M	Le Coz,R	SS141					
21906	9:30-10:45AM	TTh	Osaki,C	BE111					
21907	12:30-1:45PM	TTh	Johnson,D	BE109					
21908	5:30-6:45PM	TTh	Moloney,P	BE111					
23561	3.0 HRS ARR	(OL)	Korniakov,A	ONLINE					
Note: For class information and orientation, visit the Canvas website.									
27141	12:30-1:45PM	MW	Johnson,D	BE109					
27978	1:30-2:45PM	MW	Moloney,P	BE111					
21911	3.6 HRS ARR	(OL)	Farina,M	ONLINE					
Note: For class information and orientation, visit the Canvas website									
Class# 21911 meets 09/09/2019-12/20/2019									
21948	6:00-9:20PM	W	Kisling,K	SS140					
Class# 21948 meets 09/11/2019-12/18/2019									
24408	1:00-4:20PM	W	Fong,R	SS139					
Class# 24408 meets 09/11/2019-12/18/2019									
25200	2:00-3:30PM	TTh	Moloney,P	BE111					
Class# 25200 meets 09/10/2019-12/19/2019									
ACCT 101 - 4.0 UNITS FUNDAMENTALS OF ACCOUNTING I									
Transferable to UC, CSU (CAN BUS 2)(CAN BUS SEQ A)									
Prerequisite: ACCT 100 or equivalent with a grade of Pass or "C" or higher.									
21912	11:00-12:30PM	MW	Moloney,P	BE111					
	12:30-1:15PM	MW	Moloney,P	BE111					
21914	8:30-10:00AM	MW	Johnson,D	BE109					
	10:00-10:45AM	MW	Johnson,D	BE109					
21916	4:30-6:00PM	MW	Aviles,S	BE111					
	6:00-6:50PM	MW	Aviles,S	BE111					
21918	7:30-9:00PM	MW	Tsang,W	BE109					
	9:00-9:45PM	MW	Tsang,W	BE109					
21920	8:30-10:00AM	TTh	Alenikov,T	SS140					
	10:00-10:45AM	TTh	Alenikov,T	SS140					
21922	12:30-2:00PM	TTh	Fronke,M	SS141					
	2:00-2:45PM	TTh	Fronke,M	SS141					
21924	5:00-6:30PM	TTh	Osaki,C	BE110					
	6:30-7:15PM	TTh	Osaki,C	BE110					
					ACCT 102 - 4.0 UNITS FUNDAMENTALS OF ACCOUNTING II				
					Transferable to UC, CSU (CAN BUS 4)(CAN BUS SEQ A)				
					Prerequisite: ACCT 101 or equivalent with a grade of Pass or "C" or higher.				
21928	12:30-2:00PM	MW	Fronke,M	SS141					
	2:00-2:45PM	MW	Fronke,M	SS141					
21930	7:00-8:30PM	MW	Aviles,S	BE111					
	8:30-9:20PM	MW	Aviles,S	BE111					
21932	11:00-12:30PM	MW	Alenikov,T	SS140					
	12:30-1:15PM	MW	Alenikov,T	SS140					
21934	8:30-10:00AM	TTh	Johnson,D	BE109					
	10:00-10:45AM	TTh	Johnson,D	BE109					
27755	12:30-2:00PM	TTh	Tsang,W	BE110					
	2:00-2:45PM	TTh	Tsang,W	BE110					
					ACCT 130 - 3.0 UNITS PAYROLL TAX ACCOUNTING				
					Transferable to CSU				
					Prerequisite: ACCT 100 or ACCT 101 or equivalent with a grade of Pass or "C" or higher.				
21936	7:00-9:50PM	T	Le Coz,R	SS141					
					ACCT 131 - 3.0 UNITS COMPUTERIZED ACCOUNTING - IBM				
					Transferable to CSU				
					Prerequisite: ACCT 100 or ACCT 101 or equivalent with a grade of Pass or "C" or higher.				
					NOTE: a material fee of \$4.00 is required for ACCT 131				
21937	6:30-9:50PM	W	Ambriz,L	BE122	(HYBRID)				
					Note: Class will meet the first day and the instructor will inform the students of future class meetings.				
					Class# 21937 meets 09/11/2019-12/18/2019				
					ACCT 133 - 3.0 UNITS SPREADSHEET ACCOUNTING I				
					Transferable to CSU				
					Prerequisite: ACCT 100 or equivalent with a grade of Pass or "C" or higher.				
					NOTE: a material fee of \$4.00 is required for ACCT 133				
21940	3.0 HRS ARR	(OL)	Johnson,D	ONLINE					
					Note: For orientation and class information go to www.cerritos.edu/dljohnson.				
					Four on campus visits required over the course of the semester.				
21938	3.6 HRS ARR	(OL)	Johnson,D	ONLINE					
					Note: For orientation and class information go to www.cerritos.edu/dljohnson.				
					Four on campus visits required over the course of the semester.				
					Class# 21938 meets 09/09/2019-12/20/2019				
					ACCT 160 - 3.0 UNITS ACCOUNTING FOR QUICKBOOKS FOR CERTIFICATION				
					Not Transferable				
27980	7:00-9:50PM	Th	Wang,S	BE108					
					ACCT 201 - 4.0 UNITS INTERMEDIATE ACCOUNTING I				
					Transferable to CSU				
					Prerequisite: ACCT 102 or equivalent with a grade of Pass or "C" or higher.				
21941	5:00-6:30PM	MW	Tsang,W	BE109					
	6:30-7:15PM	MW	Tsang,W	BE109					
					ACCT 220 - 4.0 UNITS ACCOUNTING ETHICS				
					Transferable to CSU				
					Prerequisite: ACCT 101 or equivalent with a grade of "C" or higher or "Pass"				
28138	4.8 HRS ARR	(OL)	Kroll,S	ONLINE					
					Note: For class information and orientation email instructor at skroll@cerritos.edu				
					Class# 28138 meets 09/09/2019-12/20/2019				
					ACCT 240 - 4.0 UNITS COST ACCOUNTING				
					Transferable to CSU				
					Prerequisite: ACCT 100 or ACCT 101 or equivalent with a grade of Pass or "C" or higher.				
21943	7:30-9:00PM	MW	Terrell,B	BE110					
	9:00-9:45PM	MW	Terrell,B	BE110					
					ACCT 250 - 3.0 UNITS INCOME TAX ACCOUNTING				
					Transferable to CSU				
					Prerequisite: ACCT 100 or ACCT 101 or equivalent with a grade of Pass or "C" or higher.				
29090	3.6 HRS ARR	(OL)	Kroll,S	ONLINE					
					Note: For class information and orientation email instructor at skroll@cerritos.edu				
					Class# 29090 meets 09/09/2019-12/20/2019				
					ACCT 270 - 3.0 UNITS FUNDAMENTALS OF AUDITING				
					Transferable to CSU				
					Prerequisite: ACCT 101 or equivalent with a grade of "C" or higher or "Pass."				
27768	3.6 HRS ARR	(OL)	Kroll,S	ONLINE					
					Note: For class information and orientation email instructor at skroll@cerritos.edu				
					Class# 27768 meets 09/09/2019-12/20/2019				

Students not in attendance or late for the first class are subject to drop.

Class#	Time	Day	Instructor	Room	Class#	Time	Day	Instructor	Room
--------	------	-----	------------	------	--------	------	-----	------------	------

ADMINISTRATION OF JUSTICE

AJ 91 - 3.0 UNITS REPORT WRITING PROCEDURES

Not Transferable
 Recommendation: An English Placement score into ENGL 100 or ENGL 52 with a grade of Pass or "C" or higher and satisfactory completion of the Reading Placement Process or READ 54 with a grade of Pass or "C" or higher.

27147	8:00-9:15AM	TTh	Jimenez,F	SS220
29449	5:00-6:15PM	TTh	STAFF	SS220

AJ 101 - 3.0 UNITS INTRODUCTION TO ADMINISTRATION OF JUSTICE

Transferable to UC, CSU (CAN AJ 2)
 Recommendation: An English Placement score into ENGL 100 or ENGL 52 with a grade of Pass or "C" or higher and satisfactory completion of the Reading Placement Process or READ 54 with a grade of Pass or "C" or higher.

20043	11:00-12:15PM	MW	Gomez,R	SS212
20044	3.0 HRS ARR	(OL)	Jimenez,F	ONLINE
Mandatory Orientation: 9:00 – 10:00 am, Friday – August 23 in SS 212. If you cannot attend the mandatory orientation, please contact the instructor no later than Tuesday, August 20, 2019 by email at fjimenez@cerritos.edu				
20045	8:00-9:15AM	TTh	Gomez,R	SS212
20618	6:30-9:20PM	M	Bodmer,R	SS212
25988	9:30-10:45AM	MW	Walquist,B	SS212

AJ 102 - 3.0 UNITS CONCEPTS OF CRIMINAL LAW

Transferable to UC, CSU (CAN AJ 4)
 Recommendation: An English Placement score into ENGL 100 or ENGL 52 with a grade of Pass or "C" or higher and satisfactory completion of the Reading Placement Process or READ 54 with a grade of Pass or "C" or higher.

20046	6:30-9:20PM	T	Henshaw,T	SS220
20619	9:30-10:45AM	TTh	Jimenez,F	SS220

AJ 103 - 3.0 UNITS CRIMINAL PROCEDURES

Transferable to CSU
 Recommendation: An English Placement score into ENGL 100 or ENGL 52 with a grade of Pass or "C" or higher and satisfactory completion of the Reading Placement Process or READ 54 with a grade of Pass or "C" or higher.

20048	12:30-1:45PM	TTh	Walquist,B	SS212
20620	6:30-9:20PM	W	Collins,J	SS212
29091	6:30-9:20PM	M	Henshaw,T	SS220

AJ 104 - 3.0 UNITS CRIMINAL EVIDENCE

Transferable to CSU (CAN AJ 6)
 Recommendation: An English Placement score into ENGL 100 or ENGL 52 with a grade of Pass or "C" or higher and satisfactory completion of the Reading Placement Process or READ 54 with a grade of Pass or "C" or higher.

20050	2:00-3:15PM	TTh	Walquist,B	SS212
27315	5:00-6:15PM	MW	Bodmer,R	SS212

AJ 105 - 3.0 UNITS COMMUNITY RELATIONS AND CULTURAL AWARENESS

Transferable to UC, CSU
 Recommendation: Completion of ENGL 52, ENGL 72 or ESL 152 or equivalent with a grade of "C" or higher, or "Pass," or completion of the English Placement Process with eligibility for ENGL 100 and completion of READ 54 or READ 97 with a grade of "C" or higher, or "Pass," or completion of the Reading Placement Process with eligibility for a course above the level or READ 54.

20621	5:00-6:15PM	TTh	Clansy,A	SS212
27979	9:30-10:45AM	MW	Gomez,R	SS220

AJ 107 - 3.0 UNITS INTRODUCTION TO CORRECTIONS, PROBATION AND PAROLE

Transferable to CSU

23767	11:00-12:15PM	TTh	Smith,J	BE111
-------	---------------	-----	---------	-------

AJ 110 - 3.0 UNITS PATROL PROCEDURES AND ENFORCEMENT TACTICS

Transferable to CSU
 Recommendation: An English Placement score into ENGL 100 or ENGL 52 with a grade of Pass or "C" or higher and satisfactory completion of the Reading Placement Process or READ 54 with a grade of Pass or "C" or higher.

21680	11:00-12:15PM	TTh	Walquist,B	SS212
-------	---------------	-----	------------	-------

AJ 202 - 3.0 UNITS SUBSTANTIVE LAW

Transferable to CSU
 Prerequisite: AJ 102 or equivalent with a grade of Pass or "C" or higher.
 Recommendation: An English Placement score into ENGL 100 or ENGL 52 with a grade of Pass or "C" or higher and satisfactory completion of the Reading Placement Process or READ 54 with a grade of Pass or "C" or higher.

25506	8:00-9:15AM	MW	Gomez,R	SS212
25507	6:30-9:20PM	T	Collins,J	SS212

AJ 208 - 3.0 UNITS SPECIAL ISSUES IN LAW ENFORCEMENT

Transferable to CSU
 Recommendation: Completion of ENGL 52, ENGL 72, or ESL 152 or equivalent with a grade of "C" or higher, or "Pass," or completion of the English Placement Process with eligibility for ENGL 100 and completion of READ 54 or READ 97 with a grade of "C" or higher, or "Pass," or completion of the Reading Placement Process with eligibility for a course above the level of READ 54.

27148	12:30-1:45PM	TTh	Smith,J	BE119
-------	--------------	-----	---------	-------

AJ 220 - 3.0 UNITS CRIMINAL INVESTIGATION

Transferable to CSU (CAN AJ 8)
 Recommendation: An English Placement score into ENGL 100 or ENGL 52 with a grade of Pass or "C" or higher and satisfactory completion of the Reading Placement Process or READ 54 with a grade of Pass or "C" or higher.

20051	8:00-10:50AM	F	Hittesdorf,B	SS220
20622	6:30-9:20PM	W	Smith,J	SS220

AJ 221 - 3.0 UNITS NARCOTICS AND VICE CONTROL

Transferable to CSU
 Recommendation: An English Placement score into ENGL 100 or ENGL 52 with a grade of Pass or "C" or higher and satisfactory completion of the Reading Placement Process or READ 54 with a grade of Pass or "C" or higher.

29411	6:30-9:20PM	Th	Wolfe,J	SS220
--------------	--------------------	-----------	----------------	--------------

AJ 222 - 3.0 UNITS JUVENILE PROCEDURES

Transferable to CSU
 Recommendation: An English Placement score into ENGL 100 or ENGL 52 with a grade of Pass or "C" or higher and satisfactory completion of the Reading Placement Process or READ 54 with a grade of Pass or "C" or higher.

20052	11:00-12:15PM	MW	Jimenez,F	SS220
-------	---------------	----	-----------	-------

AMERICAN SIGN LANGUAGE

ASL 110 - 4.0 UNITS AMERICAN SIGN LANGUAGE I

Transferable to UC, CSU
 Recommendation: Completion of ENGL 52, ENGL 72 or ESL 152 or equivalent with a grade of "C" or higher, or "Pass," or completion of the English Placement Process with eligibility for ENGL 100 and completion of READ 54 or READ 97 with a grade of "C" or higher, or "Pass," or completion of the Reading Placement Process with eligibility for a course above the level or READ 54.

24566	9:00-10:50AM	TTh	Kelly,E	LA209
+ 1.0 HRS ARR Kelly,E LC205				
LAB IS ONE HOUR PER WEEK IN THE SUCCESS CENTER				
24568	4:00-5:50PM	MW	Morford,V	SS140
+ 1.0 HRS ARR Morford,V LC205				
LAB IS ONE HOUR PER WEEK IN THE SUCCESS CENTER				
24570	9:00-10:50AM	MW	Hall,C	LA212
+ 1.0 HRS ARR Hall,C LC205				
LAB IS ONE HOUR PER WEEK IN THE SUCCESS CENTER				
24572	9:00-10:50AM	MW	Kelly,E	LA209
+ 1.0 HRS ARR Kelly,E LC205				
LAB IS ONE HOUR PER WEEK IN THE SUCCESS CENTER				
24574	5:00-6:50PM	MW	Harper-Johnson,P	SS308
+ 1.0 HRS ARR Harper-Johnson,P LC205				
LAB IS ONE HOUR PER WEEK IN THE SUCCESS CENTER				
24576	11:00-12:50PM	MW	Hall,C	LA105
+ 1.0 HRS ARR Hall,C LC205				
LAB IS ONE HOUR PER WEEK IN THE SUCCESS CENTER				
24578	1:00-2:50PM	MW	Hall,C	LA209
+ 1.0 HRS ARR Hall,C LC205				
LAB IS ONE HOUR PER WEEK IN THE SUCCESS CENTER				
24580	12:30-2:20PM	TTh	Hall,C	LA211
+ 1.0 HRS ARR Hall,C LC205				
LAB IS ONE HOUR PER WEEK IN THE SUCCESS CENTER				
24582	2:30-4:20PM	MW	Hall,C	LA105
+ 1.0 HRS ARR Hall,C LC205				
LAB IS ONE HOUR PER WEEK IN THE SUCCESS CENTER				
26297	3:00-4:50PM	TTh	Morford,V	LA211
+ 1.0 HRS ARR Morford,V LC205				
LAB IS ONE HOUR PER WEEK IN THE SUCCESS CENTER				
26299	5:00-6:50PM	TTh	Michelotti,A	LA211
+ 1.0 HRS ARR Michelotti,A LC205				
LAB IS ONE HOUR PER WEEK IN THE SUCCESS CENTER				

ASL 111 - 4.0 UNITS AMERICAN SIGN LANGUAGE II

Transferable to UC, CSU
 Prerequisite: SL 101 or ASL 110 or equivalent with a grade of "C" or higher or "Pass."

24584	11:00-12:50PM	MW	Kelly,E	LA209
+ 1.0 HRS ARR Kelly,E LC205				
LAB IS ONE HOUR PER WEEK IN THE SUCCESS CENTER				
24586	7:00-8:50PM	TTh	Michelotti,A	LA211
+ 1.0 HRS ARR Michelotti,A LC205				
LAB IS ONE HOUR PER WEEK IN THE SUCCESS CENTER				

Students not in attendance or late for the first class are subject to drop.

Class#	Time	Day	Instructor	Room	Class#	Time	Day	Instructor	Room
ASL 210 - 4.0 UNITS AMERICAN SIGN LANGUAGE III Transferable to UC, CSU Prerequisite: SL 102 or ASL 111 or equivalent with a grade of "C" or higher of "Pass".					29453	12:30-3:20PM	T	Kuo,Y	S 129
24588	2:00-3:50PM	TTh	Kelly,E	LA209	Note: PLEASE ENROLL IN LAB SECTION OF YOUR CHOICE. THE LECTURE SECTION #28982 WILL AUTOMATICALLY BE ASSIGNED.				
	+ 1.0 HRS ARR		Kelly,E	LC205	29454	3:30-6:20PM	T	Tammaing,S	S 129
LAB IS ONE HOUR PER WEEK IN THE SUCCESS CENTER					Note: PLEASE ENROLL IN LAB SECTION OF YOUR CHOICE. THE LECTURE SECTION #28982 WILL AUTOMATICALLY BE ASSIGNED.				
ASL 215 - 3.0 UNITS BEGINNING INTERPRETING AND ETHICS 1 Transferable to CSU Prerequisite: Completion of ASL 210 with a grade of "Pass" or "C" or higher or equivalent.					A&P 151 - 4.0 UNITS INTRODUCTION TO HUMAN PHYSIOLOGY Transferable to UC, CSU Prerequisite: A&P 150 or equivalent with a grade of "C" or higher or "Pass." Recommendation: CHEM 100 or equivalent with a grade of "C" or higher or "Pass."				
28153	1:00-3:50PM	TTh	STAFF	MC103	21221	9:30-10:45AM	TTh	Tydell,C	S 103
Class# 28153 meets 08/20/2019-10/17/2019					Note: PLEASE ENROLL IN LAB SECTION OF YOUR CHOICE. THE LECTURE SECTION #21221 WILL AUTOMATICALLY BE ASSIGNED.				
ASL 216 - 3.0 UNITS BEGINNING INTERPRETING AND ETHICS 2 Transferable to CSU Prerequisite: Completion of ASL 211 or equivalent with a grade of "Pass" or "C" or higher."					21222	12:30-3:20PM	T	Kennedy,W	S 124
29342	1:00-3:50PM	TTh	STAFF	MC104	21223	3:30-6:20PM	T	Maltz,N	S 124
Class# 29342 meets 10/22/2019-12/19/2019					28977	2:00-3:15PM	TTh	Covill,M	S 103
ASL 220 - 3.0 UNITS DEAF CULTURE Transferable to UC, CSU					Note: PLEASE ENROLL IN LAB SECTION OF YOUR CHOICE. THE LECTURE SECTION #28977 WILL AUTOMATICALLY BE ASSIGNED.				
24590	12:30-1:50PM	TTh	Kelly,E	LA209	28978	8:00-10:50AM	Th	Babiar,R	S 124
					28026	11:00-1:50PM	Th	Huss,B	S 124

ANATOMY AND PHYSIOLOGY

A&P 120 - 4.0 UNITS INTRODUCTION TO HUMAN ANATOMY AND PHYSIOLOGY Transferable to UC, CSU Prerequisite: ENGL 52 or ENGL 72 or ESL 152 or equivalent with a grade of "C" or higher or "Pass," or completion of the English placement process with a score eligible for ENGL 100.					20031	9:30-10:45AM	MW	Tydell,C	S 201
Note: PLEASE ENROLL IN LAB SECTION OF YOUR CHOICE. THE LECTURE SECTION #20031 WILL AUTOMATICALLY BE ASSIGNED.					20032	2:00-4:50PM	W	Covill,M	S 129
20033	12:30-3:20PM	Th	Tydell,C	S 129	20034	12:00-2:50PM	F	STAFF	S 129
20610	5:30-6:50PM	TTh	Majewski,A	S 103	Note: PLEASE ENROLL IN LAB SECTION OF YOUR CHOICE. THE LECTURE SECTION #20610 WILL AUTOMATICALLY BE ASSIGNED.				
20611	7:00-9:50PM	T	Majewski,A	S 129	20612	7:00-9:50PM	Th	Majewski,A	S 129
28979	9:00-12:40PM	Sat	STAFF	S 129	28979	12:40-4:20PM	Sat	STAFF	S 129
Class# 28979 meets 08/24/2019-11/23/2019					A&P 150 - 4.0 UNITS INTRODUCTION TO HUMAN ANATOMY Transferable to UC, CSU Prerequisite: ENGL 100 or equivalent with a grade of "C" or higher or "Pass." Recommendation: A&P 120 or equivalent with a grade of "C" or higher or "Pass."				
20035	12:30-1:45PM	TTh	Babiar,R	S 202	Note: PLEASE ENROLL IN LAB SECTION OF YOUR CHOICE. THE LECTURE SECTION #20035 WILL AUTOMATICALLY BE ASSIGNED.				
20036	8:00-10:50AM	W	Babiar,R	S 129	20037	2:00-4:50PM	M	Babiar,R	S 129
20038	9:00-11:50AM	F	Babiar,R	S 129	21791	8:00-10:50AM	M	Babiar,R	S 129
20613	5:00-6:15PM	MW	Cocca,S	S 103	Note: PLEASE ENROLL IN LAB SECTION OF YOUR CHOICE. THE LECTURE SECTION #20613 WILL AUTOMATICALLY BE ASSIGNED.				
20614	7:00-9:50PM	M	Taylor,T	S 129	20615	7:00-9:50PM	W	Tammaing,S	S 129
24290	12:00-2:50PM	F	Huss,B	S 103	24290	3:00-5:50PM	F	Huss,B	S 129
28982	11:00-12:15PM	TTh	Maltz,N	S 202	Note: PLEASE ENROLL IN LAB SECTION OF YOUR CHOICE. THE LECTURE SECTION #28982 WILL AUTOMATICALLY BE ASSIGNED.				
28981	3:30-6:20PM	Th	Maltz,N	S 129	29452	6:00-8:50PM	F	Kuo,Y	S 129
Note: PLEASE ENROLL IN LAB SECTION OF YOUR CHOICE. THE LECTURE SECTION #28982 WILL AUTOMATICALLY BE ASSIGNED.					Note: PLEASE ENROLL IN LAB SECTION OF YOUR CHOICE. THE LECTURE SECTION #28982 WILL AUTOMATICALLY BE ASSIGNED.				

20039	9:00-10:15AM	MW	Lepere,S	S 103	Note: PLEASE ENROLL IN LAB SECTION OF YOUR CHOICE. THE LECTURE SECTION #20039 WILL AUTOMATICALLY BE ASSIGNED.				
20040	11:00-1:50PM	MW	Lepere,S	S 129	20041	8:00-10:50AM	TTh	Lepere,S	S 129
A&P 200 - 5.0 UNITS HUMAN ANATOMY Transferable to UC, CSU (CAN BIOL 10)(CAN BIOL SEQ B) Prerequisite: A four-unit college-level biological science with lab course with a grade of "C" or higher or "Pass." Recommendation: ENGL 100 or equivalent with a grade of "C" or higher or "Pass."					ANTHROPOLOGY				
20039	9:00-10:15AM	MW	Lepere,S	S 103	Note: PLEASE ENROLL IN LAB SECTION OF YOUR CHOICE. THE LECTURE SECTION #20039 WILL AUTOMATICALLY BE ASSIGNED.				
20040	11:00-1:50PM	MW	Lepere,S	S 129	20041	8:00-10:50AM	TTh	Lepere,S	S 129

ANTHROPOLOGY

ANTH 100 - 3.0 UNITS CULTURAL ANTHROPOLOGY Transferable to UC, CSU (CAN ANTH 4) Prerequisite: Satisfactory completion of English & Reading Placement Process or ENGL 52, ENGL 72, or ESL 152, or equivalent with a grade of Pass or "C" or higher and READ 54 or READ 97 or equivalent with a grade of Pass or "C" or higher.					20053	8:00-9:15AM	MW	Rigby,J	SS312
22380	5:30-6:45PM	TTh	Bellas,M	SS312	27758	7:00-9:50PM	Th	Garcia,S	SS141
20055	12:30-1:45PM	TTh	Rigby,J	SS139	21365	6:30-9:20PM	W	Abbruzzese,M	SS312
ANTH 110 - 3.0 UNITS INTRODUCTION TO FORENSIC ANTHROPOLOGY Transferable to CSU, UC transferability pending Recommendation: ANTH 115 or ANTH 115L or A&P 120 with a grade of Pass or "C" or higher.					22879	6:00-9:00PM	T	Abbruzzese,M	SS315
						9:00-9:50PM	T	Abbruzzese,M	SS315
ANTH 115 - 3.0 UNITS PHYSICAL ANTHROPOLOGY Transferable to UC, CSU (CAN ANTH 2)					20057	6:30-7:45AM	MW	Rigby,J	SS315
20058	12:30-1:45PM	TTh	Bellas,M	SS315	20059	9:30-10:45AM	MW	Rigby,J	SS315
20060	8:00-9:15AM	TTh	Rigby,J	SS315	20623	6:30-9:20PM	W	Bellas,M	SS315
21260	11:00-12:15PM	MW	Abbruzzese,M	SS315	21260	11:00-12:15PM	MW	Abbruzzese,M	SS315
23769	7:00-9:50PM	M	Abbruzzese,M	SS315	26734	2:00-3:15PM	TTh	Rigby,J	SS315
21332	2:00-3:30PM	MW	Abbruzzese,M	SS315	21332	2:00-3:30PM	MW	Abbruzzese,M	SS315
Class# 21332 meets 09/09/2019-12/18/2019					23870	6.0 HRS ARR	(OL)	Bellas,M	ONLINE
Note: Orientation will take place through class website					Class# 23870 meets 08/19/2019-10/18/2019				
29092	6.0 HRS ARR	(OL)	Bellas,M	ONLINE	Note: Orientation will take place through class website Class# 29092 meets 10/21/2019-12/20/2019				

Students not in attendance or late for the first class are subject to drop.

Class#	Time	Day	Instructor	Room	Class#	Time	Day	Instructor	Room
ANTH 115L - 1.0 UNIT INTRODUCTION TO PHYSICAL ANTHROPOLOGY LAB									
Transferable to UC, CSU									
Prerequisite: ANTH 115 with a grade of Pass or "C" or higher or concurrent enrollment.									
21689	12:30-3:20PM	T	Abbruzzese,M	SS220					
21831	1:00-3:50PM	Th	Little,L	SS220					
22284	11:00-1:50PM	F	Garcia,S	SS220					
24436	2:00-4:50PM	F	Little,L	SS220					
26270	12:30-3:20PM	W	Flores,D	SS220					

ANTH 170 - 3.0 UNITS INTRODUCTION TO LANGUAGE AND CULTURE									
Transferable to UC, CSU									
Recommendation: Satisfactory completion of English Placement Process or ENGL 52 or equivalent with a grade of Pass or "C" or higher, and satisfactory completion of the Reading Placement Process or READ 54 with a grade of Pass or "C" or higher.									
22575	12:30-1:45PM	MW	Abbruzzese,M	SS312					

ANTH 200 - 3.0 UNITS NATIVE PEOPLES OF NORTH AMERICA									
Transferable to UC, CSU									
29093	9:30-10:45AM	TTh	Rigby,J	SS139					

ARCHITECTURE

ARCH 110 - 3.0 UNITS INTRODUCTION TO ARCHITECTURE AND ENVIRONMENTAL DESIGN									
Transferable to UC, CSU									
Please read the technical standards relevant to this department at http://cms.cerritos.edu/technology/standards.htm									
27592	4:30-5:50PM	TTh	Van,H	PST230					
28944	3.0 HRS ARR	(OL)	Greas,M	ONLINE					

ARCH 111 - 3.0 UNITS ARCHITECTURAL DRAFTING AND DESIGN I									
Transferable to CSU									
NOTE: a material fee of \$6.00 is required for ARCH 111									
26129	8:00-9:00AM	TTh	Rother,E	PST230					
	9:00-10:50AM	TTh	Rother,E	PST230					

ARCH 112 - 3.0 UNITS HISTORY OF ARCHITECTURE									
Transferable to UC, CSU									
20062	9:00-11:50AM	T	Paul,D	PST236					
20625	12:30-3:20PM	T	Paul,D	PST236					
26809	3:30-6:20PM	Th	Phinney,P	PST236					

ARCH 113 - 4.0 UNITS BUILDING CODES									
Transferable to CSU									
28942	12:30-2:20PM	TTh	Van,H	PST230					

ARCH 114 - 3.0 UNITS GREEN ARCHITECTURE AND LEED									
Transferable to CSU									
28943	12:30-3:20PM	Th	Phinney,P	PST236					

ARCH 212 - 3.0 UNITS ARCHITECTURAL DESIGN THEORY I									
Transferable to UC, CSU									
NOTE: a material fee of \$6.00 is required for ARCH 212									
22739	8:00-9:00AM	MW	Rother,E	PST230					
	9:00-10:50AM	MW	Rother,E	PST230					

ARCH 221 - 4.0 UNITS AUTOCAD ARCHITECTURE									
Transferable to CSU									
NOTE: a material fee of \$6.00 is required for ARCH 221									
28945	11:00-12:30PM	MW	Rother,E	PST227					
	12:30-1:50PM	MW	Rother,E	PST227					

ARCH 223 - 4.0 UNITS REVIT ARCHITECTURE									
Transferable to CSU									
NOTE: a material fee of \$6.00 is required for ARCH 223									
22467	7:00-8:30PM	MW	Morales,T	PST230					
	8:30-9:50PM	MW	Morales,T	PST230					

ART AND DESIGN

ART 100 - 3.0 UNITS INTRODUCTION TO WORLD ART									
Transferable to UC, CSU									
Recommendation: ENGL 52, or ENGL 72 or ESL 152 and READ 54 or READ 97 or equivalent with grades of Pass or "C" or higher.									
20063	8:00-10:50AM	W	Robertson,C	FA133					
Note: This is an ONLINE course – all class instruction is completed online. No in-person orientation. Please check Canvas or instructor website: http://www.maccdevitt.com for online orientation information and directions for completion (instructor e-mail address: jmacdevitt@cerritos.edu).									

22533	12:30-4:10PM	Th	Vitela,L	FA133					
Class# 22533 meets 09/12/2019-12/19/2019									
28217	6.0 HRS ARR	(OL)	Phillips,L	ONLINE					
Note: This is an ONLINE course – all instruction is completed online. No in-person orientation. Please check Canvas for online orientation information and directions for completion (instructor e-mail address: lboutin-vitela@cerritos.edu)									
Class# 28217 meets 08/19/2019-10/18/2019									

ART 101 - 3.0 UNITS ART HISTORY I: PREHISTORY TO GOTHIC									
Transferable to UC, CSU (CAN ART 2)									
Recommendation: ENGL 52, or ENGL 72 or ESL 152 and READ 54 or READ 97 or equivalent with grades of Pass or "C" or higher.									
22102	8:00-10:50AM	M	Vitela,L	FA133					

Note: This is an ONLINE course – all instruction is completed online. No in-person orientation. Please check Canvas for online orientation information and directions for completion (instructor e-mail address: lboutin-vitela@cerritos.edu)									
22534	3.6 HRS ARR	(OL)	Vitela,L	ONLINE					
"Note: This is an ONLINE course – all instruction is completed online. No in-person orientation. Please check Canvas for online orientation information and directions for completion (instructor e-mail address: lboutin-vitela@cerritos.edu)"									
Class# 22534 meets 08/19/2019-11/29/2019									

ART 102 - 3.0 UNITS ART HISTORY II: RENAISSANCE TO ROCOCO									
Transferable to UC, CSU (CAN ART 4)									
Recommendation: ENGL 52, or ENGL 72 or ESL 152 and READ 54 or READ 97 or equivalent with grades of Pass or "C" or higher.									
26174	3.6 HRS ARR	(OL)	Vitela,L	ONLINE					
Note: This is an ONLINE course – all instruction is completed online. No in-person orientation. Please check Canvas for online orientation information and directions for completion (instructor e-mail address: lboutin-vitela@cerritos.edu)									
Class# 26174 meets 08/19/2019-11/29/2019									

ART 103 - 3.0 UNITS ART HISTORY III: NEOCLASSICAL TO PRESENT									
Transferable to UC, CSU									
Recommendation: ENGL 52, or ENGL 72 or ESL 152 and READ 54 or READ 97 or equivalent with grades of Pass or "C" or higher.									
26175	6:00-8:50PM	M	Goldsmith,M	FA133					

ART 105A - 3.0 UNITS THE ARTS OF LATIN AMERICA AND THE CARIBBEAN: PRE-COLUMBIAN									
Transferable to UC, CSU									
Recommendation: ENGL 52, or ENGL 72 or ESL 152 and READ 54 or READ 97 or equivalent with grades of Pass or "C" or higher.									
27402	3.0 HRS ARR	(OL)	Phillips,L	ONLINE					
Note: This is an ONLINE course – all instruction is completed online. No in-person orientation. Please check Canvas for online orientation information and directions for completion (instructor e-mail address: lphillips@cerritos.edu)									

ART 108 - 3.0 UNITS BLACK IMAGES IN POPULAR CULTURE									
Transferable to UC, CSU									
Recommendation: ENGL 52 and READ 54 or equivalent with grades of Pass or "C" or higher is strongly recommended.									
27303	12:30-3:20PM	M	Goldsmith,M	FA133					

ART 109 - 3.0 UNITS GENDER AND SEXUALITY IN ART									
Transferable to UC, CSU									
Recommendation: ENGL 52 and READ 54 or equivalent with grades of Pass or "C" or higher is strongly recommended.									
29077	6:00-8:50PM	MW	Trager,J	FA134					
Class# 29077 meets 08/19/2019-10/16/2019									
29422	6:00-8:50PM	TTh	Trager,J	FA134					
Class# 29422 meets 08/20/2019-10/17/2019									

Students not in attendance or late for the first class are subject to drop.

Class#	Time	Day	Instructor	Room	Class#	Time	Day	Instructor	Room
ART 110 - 3.0 UNITS FREEHAND DRAWING					ART 122 - 3.0 UNITS COLOR THEORY				
Transferable to UC, CSU (CAN ART 8)					Transferable to UC, CSU				
20064	8:00-9:00AM	TTh	Tran,B	FA227	Prerequisite: Completion of Art 110 or Art 120 or equivalent with a grade of "C" or higher or Pass.				
	9:00-10:50AM	TTh	Tran,B	FA227	27243	1:00-2:00PM	MW	Najarian,H	FA113
20065	9:00-10:00AM	MW	Bersaglieri,A	FA227		2:00-3:50PM	MW	Najarian,H	FA113
	10:00-11:50AM	MW	Bersaglieri,A	FA227	ART 130A - 3.0 UNITS FUNDAMENTALS OF PAINTING				
20066	1:00-2:00PM	TTh	Graziano,A	FA227	Transferable to UC, CSU (CAN ART 10)				
	2:00-3:50PM	TTh	Graziano,A	FA227	Prerequisite: ART 110 or equivalent with a grade of "C" or higher or Pass.				
24007	6:00-7:00PM	TTh	Rolon,A	FA231	Recommendation: ART 120 or equivalent with a grade of "C" or higher or Pass.				
	7:00-8:50PM	TTh	Rolon,A	FA231	20070	8:00-9:00AM	TTh	Graziano,A	FA207
20627	6:00-7:00PM	MW	Kuo,A	FA231		9:00-10:50AM	TTh	Graziano,A	FA207
	7:00-8:50PM	MW	Kuo,A	FA231	20071	1:00-2:00PM	TTh	Najarian,H	FA207
24349	1:00-2:00PM	MW	Teran,S	FA231		2:00-3:50PM	TTh	Najarian,H	FA207
	2:00-3:50PM	MW	Teran,S	FA231	ART 130B - 3.0 UNITS FUNDAMENTALS OF PAINTING				
24351	9:00-11:00AM	F	Minear,S	FA231	Transferable to UC, CSU				
	11:00-2:50PM	F	Minear,S	FA231	Prerequisite: ART 130A or equivalent with a grade of Pass of "C" or higher.				
26837	6:00-7:00PM	MW	Acuna,R	FA227	20072	8:00-9:00AM	TTh	Graziano,A	FA207
	7:00-8:50PM	MW	Acuna,R	FA227		9:00-10:50AM	TTh	Graziano,A	FA207
28016	1:00-2:00PM	MW	Bersaglieri,A	FA227	20073	1:00-2:00PM	TTh	Najarian,H	FA207
	2:00-3:50PM	MW	Bersaglieri,A	FA227		2:00-3:50PM	TTh	Najarian,H	FA207
28018	9:00-11:00AM	F	Phelps,J	FA227	ART 136 - 3.0 UNITS PAINTING FOR ART MAJORS				
	11:00-2:50PM	F	Phelps,J	FA227	Transferable to UC, CSU				
ART 112 - 3.0 UNITS LIFE DRAWING					ART 150 - 3.0 UNITS INTRODUCTION TO CERAMICS				
Transferable to UC, CSU (CAN ART 24)					Transferable to UC, CSU				
Prerequisite: ART 110 or equivalent with a grade of Pass or "C" or higher.					Prerequisite: ART 110 or equivalent with a grade of Pass or "C" or higher.				
20067	9:00-10:00AM	MW	Najarian,H	FA207	Recommendation: ART 120 or equivalent with a grade of Pass or "C" or higher.				
	10:00-11:50AM	MW	Najarian,H	FA207	20074	8:00-9:00AM	TTh	Graziano,A	FA207
20628	6:00-7:00PM	MW	Martinez,E	FA207		9:00-10:50AM	TTh	Graziano,A	FA207
	7:00-8:50PM	MW	Martinez,E	FA207	20075	1:00-2:00PM	TTh	Najarian,H	FA207
21706	1:00-2:00PM	MW	Graziano,A	FA207		2:00-3:50PM	TTh	Najarian,H	FA207
	2:00-3:50PM	MW	Graziano,A	FA207	ART 156L - 1.0 UNIT CERAMICS LAB				
ART 114 - 3.0 UNITS STORYBOARDING AND ANIMATION PRINCIPLES FOR FILM					Transferable to UC, CSU (CAN ART 6)				
Transferable to CSU					NOTE: a material fee of \$10.00 is required for ART 150				
21858	1:00-2:00PM	TTh	Hirohama,S	FA136	24357	9:30-10:30AM	MW	Weiss,T	FA140
	2:00-3:50PM	TTh	Hirohama,S	FA139		10:30-12:20PM	MW	Weiss,T	FA141
ART 115L - 1.0 UNIT PRINTMAKING LAB					23419	4:00-5:00PM	MW	STAFF	FA140
Transferable to UC, CSU						5:00-6:50PM	MW	STAFF	FA141
Corequisite: Concurrent enrollment in ART 116 or ART 117					20076	6:30-7:30PM	TTh	Gonzalez,A	FA140
20629	5:30-6:50PM	MW	Teran,S	FA113		7:30-9:20PM	TTh	Gonzalez,A	FA141
ART 116 - 3.0 UNITS BEGINNING PRINTMAKING					20633	12:30-1:30PM	TTh	Robinson,D	FA140
Transferable to UC, CSU (CAN ART 20)						1:30-3:20PM	TTh	Robinson,D	FA141
NOTE: a material fee of \$35.00 is required for ART 116					ART 182A - 3.0 UNITS LETTERING AND TYPOGRAPHY				
20630	7:00-8:00PM	MW	Teran,S	FA113	Transferable to CSU				
	8:00-9:50PM	MW	Teran,S	FA153	Corequisite: One or more of the following courses: ART 150, ART 151, ART 152, ART 155, ART 252, ART 253 or ART 255.				
ART 117 - 3.0 UNITS INTERMEDIATE PRINTMAKING					21426	9:30-1:30PM	F	Cramer,J	FA141
Transferable to UC, CSU						Class# 21426 meets 09/13/2019-12/20/2019			
Prerequisite: ART 116 or equivalent with a grade of Pass or "C" or higher.					21337	4:00-6:05PM	TTh	Gonzalez,A	FA141
NOTE: a material fee of \$35.00 is required for ART 117						Class# 21337 meets 09/10/2019-12/19/2019			
20631	7:00-8:00PM	MW	Teran,S	FA113	ART 186 - 3.0 UNITS COMPUTER GRAPHICS WITH ADOBE ILLUSTRATOR				
	8:00-9:50PM	MW	Teran,S	FA153	Transferable to CSU				
ART 118 - 3.0 UNITS HISTORY OF WOMEN IN VISUAL ARTS					NOTE: a material fee of \$10.00 is required for ART 182A				
Transferable to UC, CSU					20078	12:30-1:30PM	TTh	Gill,S	FA239
Recommendation: ENGL 52 or ENGL 72 or ESL 152 or equivalent with a grade of "C" or higher or Pass or completion of the English Placement Process with a score eligible for ENGL 100 and READ 54 or READ 97 or equivalent with a grade of "C" or higher or Pass or completion of the Reading Placement Process with a score of "Reading Exempt."						1:30-3:20PM	TTh	Gill,S	FA239
27690	4.5 HRS ARR (OL)		Phillips,L	ONLINE	Software used: InDesign				
Class# 27690 meets 08/19/2019-11/08/2019					ART 188 - 3.0 UNITS DESIGN FOR DIGITAL PUBLISHING				
ART 120 - 3.0 UNITS TWO-DIMENSIONAL DESIGN					Transferable to CSU				
Transferable to UC, CSU (CAN ART 14)					NOTE: a material fee of \$10.00 is required for ART 186				
20068	12:30-1:30PM	TTh	Teran,S	FA113	22426	12:30-1:30PM	MW	Barrett,B	FA235
	1:30-3:20PM	TTh	Teran,S	FA113		1:30-3:20PM	MW	Barrett,B	FA235
20632	6:00-7:00PM	TTh	Lopez,R	FA113	27241	9:00-11:00AM	F	Jankowski,J	FA234
	7:00-8:50PM	TTh	Lopez,R	FA113		11:30-3:20PM	F	Jankowski,J	FA234
ART 121 - 3.0 UNITS THREE-DIMENSIONAL DESIGN					ART 188 - 3.0 UNITS DESIGN FOR DIGITAL PUBLISHING				
Transferable to UC, CSU (CAN ART 16)					Transferable to CSU				
Prerequisite: ART 120 or equivalent with a grade of Pass or "C" or higher.					NOTE: a material fee of \$10.00 is required for ART 188				
NOTE: a material fee of \$25.00 is required for ART 121					22107	8:00-9:00AM	MW	Barrett,B	FA235
20069	12:30-1:30PM	MW	Weiss,T	FA149		9:00-10:50AM	MW	Barrett,B	FA235
	1:30-3:20PM	MW	Weiss,T	FA149					

Students not in attendance or late for the first class are subject to drop.

Class#	Time	Day	Instructor	Room	Class#	Time	Day	Instructor	Room
ART 191A - 3.0 UNITS 3D COMPUTER ANIMATION Transferable to CSU NOTE: a material fee of \$10.00 is required for ART 191A Software used: Lightwave 3D					20636 6:00-7:00PM MW Martinez,E FA207 7:00-8:50PM MW Martinez,E FA207 21708 1:00-2:00PM MW Graziano,A FA207 2:00-3:50PM MW Graziano,A FA207				
26176	4:00-5:00PM	TTh	Wilson,C	FA234	ART 214 - 3.0 UNITS SPECIAL STUDIES IN LIFE DRAWING Transferable to UC, CSU Prerequisite: ART 213 or equivalent with a grade of Pass or "C" or higher.				
	5:00-7:20PM	TTh	Wilson,C	FA234	21710	1:00-2:00PM	MW	Graziano,A	FA207
Class# 26176 meets 08/20/2019-11/28/2019					21710	2:00-3:50PM	MW	Graziano,A	FA207
ART 191B - 3.0 UNITS 3D COMPUTER ANIMATION PROJECT Transferable to CSU Prerequisite: ART 191A or equivalent with a grade of Pass or "C" or higher. NOTE: a material fee of \$10.00 is required for ART 191B Software used: Lightwave 3D					21762 6:00-7:00PM MW Martinez,E FA207 7:00-8:50PM MW Martinez,E FA207 21856 9:00-10:00AM MW Najarian,H FA207 10:00-11:50AM MW Najarian,H FA207				
26178	4:00-5:00PM	TTh	Wilson,C	FA234	ART 217L - 1.0 UNIT ADVANCED SCREENPRINTING/ADVANCED ETCHING LAB Transferable to CSU Corequisite: Concurrent enrollment in ART 218 or ART 219.				
	5:00-7:20PM	TTh	Wilson,C	FA234	21379 5:30-6:50PM MW			Teran,S	FA113
Class# 26178 meets 08/20/2019-11/28/2019					ART 218 - 3.0 UNITS SCREENPRINTING Transferable to UC, CSU Prerequisite: ART 117 or equivalent with a grade of Pass of "C" or higher. NOTE: a material fee of \$35.00 is required for ART 218				
ART 192 - 3.0 UNITS PHOTOSHOP/DIGITAL IMAGING Transferable to CSU NOTE: a material fee of \$10.00 is required for ART 192					20082	2.0 HRS ARR (OL)		Wilson,C	ONLINE
									ONLINE
Note: This is an ONLINE course – all class instruction completed online. Please check Canvas or instructor website for more information: http://www.art192.com for online orientation information and directions for completion (instructor e-mail address: cw@art192.com)					20637 7:00-8:00PM MW			Teran,S	FA153
20083	12:30-1:30PM	MW	Miller,K	FA234	8:00-9:50PM MW			Teran,S	FA113
	1:30-3:20PM	MW	Miller,K	FA234	ART 219 - 3.0 UNITS ADVANCED ETCHING Transferable to UC, CSU Prerequisite: ART 117 or equivalent with a grade of Pass of "C" or higher. NOTE: a material fee of \$35.00 is required for ART 219				
26180	2.0 HRS ARR (OL)		Wilson,C	ONLINE	22027 7:00-8:00PM MW			Teran,S	FA153
				ONLINE	8:00-9:50PM MW			Teran,S	FA207
Note: This is an ONLINE course – all class instruction completed online. Please check Canvas or instructor website for more information: http://www.art192.com for online orientation information and directions for completion (instructor e-mail address: cw@art192.com)					ART 231 - 3.0 UNITS INTERMEDIATE PAINTING Transferable to UC, CSU Prerequisite: ART 130B or equivalent with a grade of Pass or "C" or higher.				
27032	12:30-1:30PM	TTh	Miller,K	FA235	21714	8:00-9:00AM	TTh	Graziano,A	FA207
	1:30-3:20PM	TTh	Miller,K	FA235		9:00-10:50AM	TTh	Graziano,A	FA207
ART 193 - 3.0 UNITS MOTION PICTURE EDITING Transferable to CSU Software used: Final Cut Pro and Smoke					20087	1:00-2:00PM	TTh	Najarian,H	FA207
21335	12:30-1:30PM	TTh	Wilson,C	FA234		2:00-3:50PM	TTh	Najarian,H	FA207
	1:30-3:50PM	TTh	Wilson,C	FA234	ART 298 - 1.0 UNIT DIRECTED STUDIES Transferable to CSU				
Class# 21335 meets 08/20/2019-11/28/2019					28507	3.0 HRS ARR		Robinson,D	FA141
ART 194A - 3.0 UNITS ADVANCED FINAL CUT PRO Transferable to CSU					28508	3.0 HRS ARR		Graziano,A	FA228
25732	12:30-1:30PM	TTh	Wilson,C	FA234	ART 299 - 2.0 UNITS DIRECTED STUDIES Transferable to CSU				
	1:30-3:50PM	TTh	Wilson,C	FA234	28749	6.0 HRS ARR		Robinson,D	FA141
Class# 25732 meets 08/20/2019-11/28/2019					<div style="background-color: #0070C0; color: white; padding: 5px; text-align: center; font-weight: bold; font-size: 1.2em;">ASTRONOMY</div>				
ART 195 - 3.0 UNITS 3D MODELING FOR ANIMATION Transferable to CSU NOTE: a material fee of \$10.00 is required for ART 195					ASTR 102 - 3.0 UNITS INTRODUCTORY ASTRONOMY: STARS AND THE UNIVERSE Transferable to UC, CSU				
26840	9:00-10:00AM	MW	Miller,K	FA234	22659	3:30-4:45PM	MW	Mc Elroy,D	S 104
	10:00-11:50AM	MW	Miller,K	FA234	23818	9:30-12:20PM	F	Mc Elroy,D	S 104
ART 196 - 3.0 UNITS WEB DESIGN WITH FLASH AND DREAMWEAVER Transferable to CSU Recommendation: CIS 205 or equivalent with a grade of Pass or "C" or higher. NOTE: a material fee of \$10.00 is required for ART 196					21251 7:00-9:50PM M			Mc Elroy,D	S 104
20085	8:00-9:00AM	TTh	Miller,K	FA235	22258	2:00-3:15PM	TTh	Szabo,T	S 104
	9:00-10:50AM	TTh	Miller,K	FA235	25395	12:30-1:45PM	MW	Hugenberger,S	S 104
ART 207 - 3.0 UNITS WOMEN AND MEDIA Transferable to UC, CSU Prerequisite: Completion of ENGL 52, or ENGL 72, or ESL 152 or equivalent with a grade of "C" or higher, or "Pass," or completion of the English Placement Process with eligibility for ENGL 100. Recommendation: Completion of READ 54 or READ 97 with a grade of "C" or higher, or "Pass," or completion of the Reading Placement Process with a score of "Reading Exempt."					26924 5:00-6:15PM TTh			Szabo,T	S 104
29079	12:30-4:50PM	Th	Trager,J (Honors Section)	FA134	28986	8:00-10:50AM	MW	Hugenberger,S	S 104
Class# 29079 meets 08/22/2019-11/07/2019					Class# 28986 meets 08/19/2019-10/16/2019				
ART 213 - 3.0 UNITS INTERMEDIATE LIFE DRAWING Transferable to UC, CSU Prerequisite: ART 112 or equivalent with a grade of Pass or "C" or higher.					ASTR 103 - 3.0 UNITS INTRODUCTORY ASTRONOMY: THE SOLAR SYSTEM Transferable to UC, CSU				
20086	9:00-10:00AM	MW	Najarian,H	FA207	22796	9:30-10:45AM	MW	McLarty-Schroeder,J	PST124
	10:00-11:50AM	MW	Najarian,H	FA207	20088	3.0 HRS ARR (OL)		McLarty-Schroeder,J	ONLINE
					An on-campus orientation is required for this course. Orientation will meet 2:00-3:00 p.m., Monday - August 19 in S202 at Cerritos College. All exams on campus.				
					21253	11:00-12:15PM	MW	McLarty-Schroeder,J	PST124
					21254	3.0 HRS ARR (OL)		McLarty-Schroeder,J	ONLINE
					An on-campus orientation is required for this course. Orientation will meet 2:00-3:00 p.m., Monday - August 19 in S202 at Cerritos College. All exams on campus.				

Students not in attendance or late for the first class are subject to drop.

Class#	Time	Day	Instructor	Room	Class#	Time	Day	Instructor	Room
22394	3.0 HRS ARR	(OL)	McLarty-Schroeder,J	ONLINE					
An on-campus orientation is required for this course. Orientation will meet 2:00-3:00 p.m., Monday - August 19 in S202 at Cerritos College. All exams on campus.									
21452	8:00-10:50AM	MW	Hugenberger,S	S 104					
Class# 21452 meets 10/21/2019-12/18/2019									
ASTR 104 - 3.0 UNITS LIFE IN THE UNIVERSE									
Transferable to UC, CSU									
20640	9:30-10:45AM	TTh	McLarty-Schroeder,J	PST124					
ASTR 105L - 1.0 UNIT OBSERVATIONAL ASTRONOMY									
Transferable to UC, CSU									
Prerequisite: ASTR 101 or ASTR 102 or ASTR 103 or ASTR 104 or ASTR 106 or equivalent with a grade of "C" or higher or "Pass" or concurrent enrollment.									
20641	7:00-9:50PM	Th	Szabo,T	PST124					
20642	7:00-9:50PM	T	Szabo,T	PST124					

ATHLETICS

ATH 201LB - 2.0 UNITS BASEBALL, MEN, OFF SEASON INTERCOLLEGIATE									
Transferable to UC, CSU									
24670	6.0 HRS ARR		STAFF	BASBL					
ATH 202L - 3.0 UNITS BASKETBALL, MEN									
Transferable to UC, CSU									
24671	10.0 HRS ARR		May,R	GYM					
ATH 204L - 1.5 UNITS BASKETBALL, WOMEN									
Transferable to UC, CSU									
24673	10.0 HRS ARR		Kozlowski,T	GYM					
Class# 24673 meets 10/21/2019-12/20/2019									
ATH 205LA - 1.0 UNIT BASKETBALL, WOMEN, OFF SEASON INTERCOLLEGIATE									
Transferable to UC, CSU									
24674	4:30-5:50PM	MTWTh	Kozlowski,T	GYM					
Class# 24674 meets 08/19/2019-10/17/2019									
ATH 206L - 3.0 UNITS CROSS COUNTRY, MEN									
Transferable to UC, CSU									
24675	10.0 HRS ARR		STAFF	STADT					
ATH 208L - 3.0 UNITS CROSS COUNTRY, WOMEN									
Transferable to UC, CSU									
24676	10.0 HRS ARR		STAFF	STADT					
ATH 210L - 3.0 UNITS FOOTBALL, MEN									
Transferable to UC, CSU									
24677	10.0 HRS ARR		Garcia,P	STADT					
26226	10.0 HRS ARR		Caines,T	STADT					
26227	10.0 HRS ARR		Grosfeld,S	STADT					
ATH 212L - 3.0 UNITS SOCCER, MEN									
Transferable to UC, CSU									
24678	10.0 HRS ARR		Artiaga,B	SOCR					
ATH 214L - 3.0 UNITS SOCCER, WOMEN									
Transferable to UC, CSU									
24679	10.0 HRS ARR		Gonzalez,R	SOCR					
ATH 217LC - 3.0 UNITS SOFTBALL, WOMEN, OFF SEASON INTERCOLLEGIATE									
Transferable to UC, CSU									
24680	9.0 HRS ARR		Murray,K	SFTBL					
ATH 219LC - 3.0 UNITS SWIMMING, MEN, OFF SEASON INTERCOLLEGIATE									
Transferable to UC, CSU									
24681	9.0 HRS ARR		Abing,J	POOL					
ATH 221LC - 3.0 UNITS SWIMMING, WOMEN, OFF SEASON INTERCOLLEGIATE									
Transferable to UC, CSU									
24682	9.0 HRS ARR		STAFF	POOL					

ATH 223LC - 3.0 UNITS TENNIS, MEN, OFF SEASON INTERCOLLEGIATE									
Transferable to UC, CSU									
27367	9.0 HRS ARR		Staff	CTS					
ATH 225LC - 3.0 UNITS TENNIS, WOMEN, OFF SEASON INTERCOLLEGIATE									
Transferable to UC, CSU									
27368	9.0 HRS ARR		Staff	CTS					
ATH 227LC - 3.0 UNITS TRACK AND FIELD, MEN, OFF SEASON INTERCOLLEGIATE									
Transferable to UC, CSU									
25023	9.0 HRS ARR		Staff	STADT					
ATH 229LC - 3.0 UNITS TRACK AND FIELD, WOMEN, OFF SEASON INTERCOLLEGIATE									
Transferable to UC, CSU									
25024	9.0 HRS ARR		Staff	STADT					
ATH 230L - 3.0 UNITS VOLLEYBALL, WOMEN									
Transferable to UC, CSU									
24687	10.0 HRS ARR		Hemmerling,K	GYM					
ATH 232L - 3.0 UNITS WATER POLO, MEN									
Transferable to UC, CSU									
24688	10.0 HRS ARR		Abing,J	POOL					
ATH 234L - 3.0 UNITS WATER POLO, WOMEN									
Transferable to UC, CSU									
24689	10.0 HRS ARR		Macias,S	POOL					
ATH 236L - 3.0 UNITS WRESTLING, MEN									
Transferable to UC, CSU									
24690	10.0 HRS ARR		Gould,E	GYM					

AUTOMOTIVE COLLISION REPAIR & REFINISHING/AUTOBODY

AB 51 - 4.5 UNITS NON-STRUCTURAL REPAIR									
Not Transferable									
NOTE: a material fee of \$20.00 is required for AB 51									
Please read the technical standards relevant to this department at http://cms.cerritos.edu/technology/standards.htm									
25682	8:00-9:30AM	TTh	Hutchison,P	AT 55					
	9:30-11:50AM	TTh	Hutchison,P	AT 60					
20616	12:00-1:30PM	MTWTh	Chisum,A	AT 55					
	1:30-3:50PM	MTWTh	Chisum,A	AT 50					
Class# 20616 meets 08/19/2019-10/17/2019									
AB 53 - 4.5 UNITS STEERING, SUSPENSION AND POWERTRAIN DAMAGE									
Not Transferable									
Recommendation: AB 51 or equivalent with a grade of Pass or "C" or higher.									
NOTE: a material fee of \$20.00 is required for AB 53									
27580	12:00-1:30PM	MTWTh	Chisum,A	AT 54					
	1:30-3:50PM	MTWTh	Chisum,A	AT 70					
Class# 27580 meets 10/21/2019-12/19/2019									
AB 55 - 4.5 UNITS STRUCTURAL PANEL REPLACEMENT									
Not Transferable									
Recommendation: AB 51 or AB 52 or AB 56 or AB 57 or equivalent with a grade of Pass or "C" or higher.									
NOTE: a material fee of \$20.00 is required for AB 55									
28929	6:00-7:30PM	TTh	STAFF	AT 55					
	7:30-9:50PM	TTh	STAFF	AT 60					
AB 56 - 2.0 UNITS NON-STRUCTURAL AUTOMOTIVE WELDING									
Not Transferable									
29255	6:00-7:30PM	MW	Chisum,A	AT 55					
	7:30-9:50PM	MW	Chisum,A	AT 50					
Class# 29255 meets 10/21/2019-12/18/2019									

Students not in attendance or late for the first class are subject to drop.

Class#	Time	Day	Instructor	Room	Class#	Time	Day	Instructor	Room
AB 58L - 1.5 UNITS COLLISION REPAIR LAB Transferable to CSU Prerequisite: AB 51 or equivalent with a grade of Pass or "C" or higher or concurrent enrollment. NOTE: a material fee of \$20.00 is required for AB 58L									
22429	7:30-9:50PM	TTh	STAFF	AT 50					
28927	9:30-11:50AM	TTh	Hutchison,P	AT 60					
AB 61 - 3.0 UNITS PREPARATION AND SPOT REFINISHING Not Transferable Corequisite: AB 61L or equivalent with a grade of Pass or "C" or higher. Recommendation: AB 51 or equivalent with a grade of Pass or "C" or higher.									
27586	6:00-7:15PM	MW	STAFF	AP12A					
29257	4:00-5:15PM	MTWTh	Chisum,A	AT 55					
Class# 29257 meets 08/19/2019-10/17/2019									
AB 61L - 1.5 UNITS AUTOMOTIVE REFINISHING LAB Not Transferable Prerequisite: AB 61 or equivalent with a grade of Pass or "C" or higher or concurrent enrollment. NOTE: a material fee of \$20.00 is required for AB 61L									
27587	7:30-9:45PM	MW	STAFF	AT 70					
AB 66 - 2.5 UNITS LETTERING, STRIPING AND DESIGN Not Transferable Recommendation: AB 61 or equivalent with a grade of Pass or "C" or higher or appropriate work experience or concurrent enrollment. NOTE: a material fee of \$20.00 is required for AB 66									
28932	6:00-8:00PM	T	STAFF	AP12A					
	8:00-9:50PM	TTh	STAFF	AT 70					
Class# 28932 meets 08/20/2019-10/17/2019									
AB 67 - 2.0 UNITS AUTOMOTIVE CUSTOM PAINTING Not Transferable Recommendation: AB 61 or AB 62 or equivalent with a grade of Pass or "C" or higher.									
28934	6:00-7:00PM	TTh	STAFF	AP12A					
	7:00-9:50PM	TTh	STAFF	AT 70					
Class# 28934 meets 10/22/2019-12/19/2019									
AB 74 - 4.0 UNITS AUTOMOTIVE COLLISION REPAIR OCCUPATIONAL WORK EXPERIENCE Not Transferable									
29258	6:00-9:50PM	Th	Chisum,A	AP12B					
Class# 29258 meets 10/24/2019-12/19/2019									
AB 80 - 2.0 UNITS AUTOBODY CUSTOMER SERVICE Not Transferable									
28936	6:00-9:50PM	T	STAFF	AT 54					
Class# 28936 meets 08/20/2019-10/15/2019									
AB 86 - 2.0 UNITS PRODUCTION MANAGEMENT Not Transferable Recommendation: Work experience in the automotive collision repair industry.									
28941	6:00-10:15PM	M	STAFF	AT 54					
Class# 28941 meets 10/21/2019-12/16/2019									
AB 188 - 2.0 UNITS INTRODUCTION TO AUTOMOTIVE CLAIMS HANDLING Transferable to CSU Recommendation: AB 181 or equivalent with a grade of Pass or "C" or higher, or appropriate work experience.									
28937	6:00-9:50PM	T	STAFF	AT 54					
Class# 28937 meets 10/22/2019-12/17/2019									
AB 286 - 3.0 UNITS COMPUTERIZED SHOP MANAGEMENT Transferable to CSU Prerequisite: AB 182 or AB 285 or equivalent with a grade of Pass or "C" or higher or concurrent enrollment or equivalent work experience.									
28938	9:00-12:30PM	Sat	STAFF	AT 54					
	12:30-1:30PM	Sat	STAFF	AT 54					
Class# 28938 meets 08/24/2019-11/23/2019									

AUTOMOTIVE MECHANICAL REPAIR TECHNOLOGY

AUTO 54 - 4.0 UNITS INTRODUCTION TO ELECTRIC VEHICLE

Not Transferable
 NOTE: a material fee of \$15.00 is required for AUTO 54

29443	6:30-8:00PM	TTh	Chavez,P	
	8:00-9:20PM	TTh	Chavez,P	

AUTO 73 - 3.0 UNITS AUTOMOTIVE MECHANICAL REPAIR OCCUPATIONAL WORK EXPERIENCE

Not Transferable
 Please read the technical standards relevant to this department at <http://cms.cerritos.edu/technology/standards.htm>

28947	7:00-8:50PM	M	Taylor,K	AP12B
Class# 28947 meets 08/19/2019-10/14/2019				
20942	7:00-8:50PM	T	Bender,W	AP12B
Class# 20942 meets 08/20/2019-10/15/2019				
20888	7:00-8:50PM	M	Glick,L	AP12B
Class# 20888 meets 10/21/2019-12/16/2019				
20889	7:00-8:50PM	T	Baron,T	AP12B
Class# 20889 meets 10/22/2019-12/17/2019				

AUTO 80 - 5.0 UNITS BUREAU OF AUTOMOTIVE REPAIR (BAR) ASE ALTERNATIVE COURSES FO

Not Transferable
 Recommendation: Appropriate work experience.
 NOTE: a material fee of \$100.00 is required for AUTO 80

29444	6:30-8:30PM	MW	Baron,T	AT 61
	8:30-10:20PM	MW	Baron,T	AT 62

AUTO 100 - 4.0 UNITS AUTOMOTIVE MAINTENANCE AND OPERATION

Transferable to CSU
 NOTE: a material fee of \$15.00 is required for AUTO 100

27035	8:00-9:30AM	MW	Bittner,M	AT 11
	9:30-10:50AM	MW	Bittner,M	AT 25
20091	8:00-9:30AM	TTh	Vega,F	AT 11
	9:30-10:50AM	TTh	Vega,F	AT 25
20643	7:00-8:30PM	MW	Bender,W	AT 11
	8:30-9:50PM	MW	Bender,W	AT 25
23765	8:00-11:00AM	F	Tedtaotao,D	AT 11
	11:00-1:50PM	F	Tedtaotao,D	AT 25
21219	7:00-8:30PM	TTh	Glick,L	AT 11
	8:30-9:50PM	TTh	Glick,L	AT 25

AUTO 101 - 4.0 UNITS AUTOMOTIVE SERVICE TOOLS AND EQUIPMENT

Transferable to CSU
 Recommendation: AUTO 100 or equivalent with a grade of "C" or higher or "Pass."

28948	8:00-9:30AM	TTh	Gallagher,P	AT 24
	9:30-11:00AM	TTh	Gallagher,P	AT 21

AUTO 105 - 2.0 UNITS HYDRAULICS AND PNEUMATICS

Transferable to CSU
 NOTE: a material fee of \$15.00 is required for AUTO 101

27597	6:30-8:05PM	MW	Roper,D	AT 26
	8:05-9:20PM	MW	Roper,D	AT 26

AUTO 110 - 5.0 UNITS AUTOMOTIVE ENGINES

Transferable to CSU
 Recommendation: AUTO 100 or equivalent with a grade of Pass or "C" or higher.

21217	6:30-8:30PM	TTh	Vasilik,R	AT 21
	8:30-10:20PM	TTh	Vasilik,R	AT 25

AUTO 120 - 5.0 UNITS AUTOMATIC TRANSMISSIONS AND TRANSAXLES

Transferable to CSU
 Recommendation: AUTO 100 or equivalent with a grade of Pass or "C" or higher, or appropriate work experience.

27599	8:00-10:00AM	TTh	Maine,R	AT 61
	10:00-11:50AM	TTh	Maine,R	AT 62

Students not in attendance or late for the first class are subject to drop.

Class#	Time	Day	Instructor	Room	Class#	Time	Day	Instructor	Room
AUTO 121 - 6.0 UNITS DRIVETRAIN TRANSMISSIONS AND AXLES Transferable to CSU Recommendation: AUTO 181 and AUTO 73/74 or equivalent with grades of Pass or "C" or higher. NOTE: a material fee of \$15.00 is required for AUTO 121					AUTO 181 - 6.0 UNITS ELECTRONIC ENGINE MANAGEMENT SYSTEMS-CORPORATE Transferable to CSU Recommendation: AUTO 100 and AUTO 73/74 or equivalent with grades of Pass or "C" or higher. NOTE: a material fee of \$15.00 is required for AUTO 181				
21398	12:30-3:05PM	MTWTh	Bender,W	AT 14	27603	12:30-3:05PM	MTWTh	Glick,L	AT 26
	3:05-5:20PM	MTWTh	Bender,W	AT 25		3:05-5:20PM	MTWTh	Glick,L	AT 25
Class# 21398 meets 10/21/2019-12/19/2019					Class# 27603 meets 08/19/2019-10/17/2019				
AUTO 130 - 5.0 UNITS MANUAL DRIVETRAIN AND AXLES Transferable to CSU Recommendation: AUTO 100 or equivalent with a grade of Pass or "C" or higher. NOTE: a material fee of \$15.00 is required for AUTO 130					AUTO 194 - 3.0 UNITS RETAILING AUTOMOTIVE SERVICE Transferable to CSU Recommendation: Current automotive student or employed as an automotive service professional.				
20645	6:30-8:30PM	TTh	Taylor,K	AT 10	29414	7:00-9:50PM	W	Supple,M	AP12B
	8:30-10:20PM	TTh	Taylor,K	AT 25					
AUTO 140 - 5.0 UNITS AUTOMOTIVE STEERING AND SUSPENSION Transferable to CSU Recommendation: AUTO 100 or equivalent with a grade of Pass or "C" or higher, or appropriate work experience.					AUTO 210 - 5.0 UNITS AUTOMOTIVE MACHINE SHOP Transferable to CSU Recommendation: AUTO 100 or equivalent with a grade of Pass or "C" or higher, or appropriate work experience. NOTE: a material fee of \$15.00 is required for AUTO 210				
27207	6:30-8:30PM	MW	Vega,F	AT 46	24228	6:30-10:20PM	W	Gonzalez,J	AT 24
	8:30-10:20PM	MW	Vega,F	AT 45		6:30-10:20PM	F	Gonzalez,J	AT 24
AUTO 150 - 5.0 UNITS AUTOMOTIVE BRAKES Transferable to CSU Recommendation: AUTO 100 or equivalent with a grade of Pass or "C" or higher, or appropriate work experience. NOTE: a material fee of \$15.00 is required for AUTO 150					AUTO 212 - 1.0 UNIT ADVANCED HIGH PERFORMANCE ENGINES Transferable to CSU Prerequisite: AUTO 210, Automotive Machine Shop or AUTO 211, High Performance Engines or equivalent with a grade of "C" or higher or "Pass." NOTE: a material fee of \$15.00 is required for AUTO 212				
20092	8:00-10:00AM	MW	Vega,F	AT 46	27606	6:30-10:20PM	F	Gonzalez,J	AT 24
	10:00-11:50AM	MW	Vega,F	AT 45	"Earn a Bachelor's Degree in Automotive marketing/Management from Northwood University on the Cerritos campus. For more information call (562) 955-9606"				
AUTO 151 - 6.0 UNITS AUTOMOTIVE ALIGNMENT BRAKE AND SUSPENSION Transferable to CSU NOTE: a material fee of \$15.00 is required for AUTO 151									
28952	6:30-8:10PM	TTh	Jacobo,C	AT 46					
	6:30-8:10PM	F	Jacobo,C	AT 46					
	8:10-9:40PM	TTh	Jacobo,C	AT 45					
	8:10-9:40PM	F	Jacobo,C	AT 45					
21375	12:30-3:05PM	MTWTh	Mulleary,J	AT 46					
	3:05-5:20PM	MTWTh	Mulleary,J	AT 45					
Class# 21375 meets 08/19/2019-10/17/2019									
AUTO 160 - 5.0 UNITS INTRODUCTION TO AUTOMOTIVE ELECTRICAL Transferable to CSU Recommendation: AUTO 100 or appropriate work experience or equivalent with a grade of "C" or higher or "Pass." NOTE: a material fee of \$15.00 is required for AUTO 160									
20644	6:30-8:30PM	TTh	Gonzalez,J	AT 14					
	8:30-10:20PM	TTh	Gonzalez,J	AT 25					
AUTO 161 - 7.0 UNITS AUTOMOTIVE ELECTRICITY Transferable to CSU Recommendation: AUTO 100 or AUTO 151 and AUTO 73/74 or equivalent with grades of Pass or "C" or higher. NOTE: a material fee of \$15.00 is required for AUTO 161									
21292	12:30-3:05PM	MTWTh	Baron,T	AT 14					
	3:05-5:20PM	MTWTh	Baron,T	AT 25					
Class# 21292 meets 08/19/2019-10/17/2019									
20899	12:30-3:05PM	MTWTh	Taylor,K	AT 10					
	3:05-5:20PM	MTWTh	Taylor,K	AT 25					
Class# 20899 meets 10/21/2019-12/19/2019									
AUTO 180 - 5.0 UNITS ELECTRONIC ENGINE MANAGEMENT SYSTEMS Transferable to CSU Recommendation: AUTO 100 or equivalent with a grade of Pass or "C" or higher, or appropriate work experience. NOTE: a material fee of \$15.00 is required for AUTO 180									
28950	6:30-8:30PM	TTh	Martin,E	AT 61					
	8:30-10:20PM	TTh	Martin,E	AT 62					

BIOLOGY

BIOL 95 - 0.5 UNIT INDIVIDUALIZED BIOLOGY INSTRUCTION Not Transferable Corequisite: Enrollment in any BIOL course.									
28983	2.0 HRS ARR							STAFF	
BIOL 105 - 3.0 UNITS HUMANS AND THE ENVIRONMENT Transferable to UC, CSU Recommendation: ENGL 52 or ENGL 72 or ESL 152 or equivalent with a grade of "C" or higher or "Pass" or completion of the English placement process with a score eligible for ENGL 100.									
20101	12:30-1:45PM	MW	Valcarcel,A						S 103
23980	7:00-9:50PM	M	STAFF						S 103
24294	12:30-1:45PM	TTh	Valcarcel,A						S 103
28984	9:00-11:50AM	F	STAFF						S 103
28985	3:30-4:45PM	TTh	STAFF						S 103
BIOL 115 - 3.0 UNITS MARINE BIOLOGY Transferable to UC, CSU									
26454	12:00-1:45PM	F	Reyes,J						S 124
	2:00-4:50PM	F	Reyes,J						S 127
BIOL 120 - 4.0 UNITS INTRODUCTION TO BIOLOGICAL SCIENCE Transferable to UC, CSU (CAN BIOL 2) Prerequisite: ENGL 52 or ENGL 72 or ESL 152 or equivalent with a grade of "C" or higher or "Pass" or completion of the English placement process with a score eligible for ENGL 100.									
20102	11:00-12:15PM	MW	Schiefelbein,H						S 202
Note: PLEASE ENROLL IN LAB SECTION OF YOUR CHOICE. THE LECTURE SECTION #20102 WILL AUTOMATICALLY BE ASSIGNED.									
20111	3:30-6:20PM	W	Schiefelbein,H						S 121
23827	8:00-10:50AM	T	Stieber,M						S 121
27648	12:30-3:30PM	M	Johnson,W						S 121
20103	9:30-10:45AM	TTh	McNulty,S						S 201
Note: PLEASE ENROLL IN LAB SECTION OF YOUR CHOICE. THE LECTURE SECTION #20103 WILL AUTOMATICALLY BE ASSIGNED.									

Students not in attendance or late for the first class are subject to drop.

Class#	Time	Day	Instructor	Room	Class#	Time	Day	Instructor	Room
20107	12:30-3:20PM	T	Tydel,C	S 121	Class# 27445 meets 08/19/2019-10/18/2019				
20113	12:30-3:20PM	Th	Kennedy,W	S 121	26210	6.0 HRS ARR	(OL)	Hu,J	ONLINE
20106	9:30-10:45AM	MW	Schiefelbein,H	S 202	Note: Class will be held online. Go to Canvas at www.cerritos.edu/canvas .				
Note: PLEASE ENROLL IN LAB SECTION OF YOUR CHOICE. THE LECTURE SECTION #20106 WILL AUTOMATICALLY BE ASSIGNED.					Class# 26210 meets 08/19/2019-10/18/2019				
20105	3:30-6:20PM	M	Takahashi,G	S 121	20646	6.0 HRS ARR	(OL)	Moriarty,C	ONLINE
20110	12:30-3:20PM	W	STAFF	S 121	Note: Class will be held online. Go to Canvas at www.cerritos.edu/canvas .				
20112	8:00-10:50AM	Th	Henderson,S	S 121	Class# 20646 meets 10/21/2019-12/20/2019				
20653	5:30-6:45PM	TTh	Kennedy,W	S 201	25586	6.0 HRS ARR	(OL)	STAFF	ONLINE
Note: PLEASE ENROLL IN LAB SECTION OF YOUR CHOICE. THE LECTURE SECTION #20653 WILL AUTOMATICALLY BE ASSIGNED.					Note: Class will be held online. Go to Canvas at www.cerritos.edu/canvas .				
20654	7:00-9:50PM	M	STAFF	S 121	Class# 25586 meets 10/21/2019-12/20/2019				
20655	7:00-9:50PM	T	Palmier,C	S 121	26211	6.0 HRS ARR	(OL)	Livingston,R	ONLINE
20656	7:00-9:50PM	W	Palmier,C	S 121	Note: Class will be held online. Go to Canvas at www.cerritos.edu/canvas .				
20657	7:00-9:50PM	Th	Mastro,E	S 121	Class# 26211 meets 10/21/2019-12/20/2019				
24293	2:00-3:15PM	TTh	Stieber,M	S 202	BA 101 - 3.0 UNITS INTERNATIONAL BUSINESS				
Note: PLEASE ENROLL IN LAB SECTION OF YOUR CHOICE. THE LECTURE SECTION #24293 WILL AUTOMATICALLY BE ASSIGNED.					Transferable to CSU				
20108	3:30-6:20PM	T	Boardman,C	S 121	NOTE: a material fee of \$20.00 is required for BA 101				
20114	3:30-6:20PM	Th	STAFF	S 121	27419	11:00-12:30PM	TTh	Franks Sayed,D	(HYBRID) BE116
20109	9:00-11:50AM	W	Valcarcel,A	S 121	Note: Class will meet Tuesday and Thursday the first week and the instructor will inform students of future class meetings.				
26867	2:00-3:15PM	MW	Valcarcel,A	S 103	Class# 27419 meets 09/10/2019-12/19/2019				
Note: PLEASE ENROLL IN LAB SECTION OF YOUR CHOICE. THE LECTURE SECTION #26867 WILL AUTOMATICALLY BE ASSIGNED.					22849	6.0 HRS ARR	(OL)	Hu,J	ONLINE
26868	9:00-11:50AM	M	Valcarcel,A	S 121	Note: Class will be held online. Go to Canvas at www.cerritos.edu/canvas .				
BIOL 200 - 5.0 UNITS PRINCIPLES OF BIOLOGY					Class# 22849 meets 08/19/2019-10/18/2019				
Transferable to UC, CSU (CAN BIOL SEQ A)					25354	6.0 HRS ARR	(OL)	Hu,J	ONLINE
Prerequisite: CHEM 111 or equivalent with a grade of "C" or higher or "Pass" or concurrent enrollment and BIOL 120 or ZOOL 120 or BOT 120 or equivalent with a grade of "C" or higher or "Pass."					Note: Class will be held online. Go to Canvas at www.cerritos.edu/canvas .				
20115	11:00-12:15PM	M	Henderson,S	S 127	Class# 25354 meets 10/21/2019-12/20/2019				
	11:00-12:15PM	W	Henderson,S	S 124	BA 104 - 3.0 UNITS MANAGING CULTURAL DIVERSITY				
	1:00-3:50PM	MW	Henderson,S	S 127	Transferable to CSU				
20117	8:00-9:15AM	WF	Covill,M	S 127	26993	3.6 HRS ARR	(OL)	Franks Sayed,D	ONLINE
	10:00-12:50PM	WF	Covill,M	S 127	Note: Class will be held online. Go to Canvas at www.cerritos.edu/canvas .				
On Friday 11/15 & Friday 12/13, this class will meet from 12:00-5:00pm for a field trip in lieu of normal class session. Dates subject to change based on permission to use sites					Class# 26993 meets 08/19/2019-11/29/2019				
BIOL 201 - 5.0 UNITS PRINCIPLES OF BIOLOGY					26992	6.0 HRS ARR	(OL)	Hu,J	ONLINE
Transferable to UC, CSU (CAN BIOL SEQ A)					Note: Class will be held online. Go to Canvas at www.cerritos.edu/canvas .				
Prerequisite: CHEM 111 or equivalent with a grade of "C" or higher or "Pass." or BIOL 120 or ZOOL 120 or BOT 120 or equivalent with a grade of "C" or higher or "Pass."					21790	6.0 HRS ARR	(OL)	Hu,J	ONLINE
20118	12:30-1:45PM	MW	Stieber,M	S 124	Note: Class will be held online. Go to Canvas at www.cerritos.edu/canvas .				
	2:00-4:50PM	MW	Stieber,M	S 124	Class# 21790 meets 10/21/2019-12/20/2019				
29353	5:00-6:15PM	T	Martinez,I	S 127	BA 106 - 3.0 UNITS HUMAN RESOURCE MANAGEMENT				
	5:00-6:15PM	Th	Martinez,I	S 124	Transferable to CSU				
	7:00-10:00PM	TTh	Martinez,I	S 124	NOTE: a material fee of \$20.00 is required for BA 106				
BUSINESS ADMINISTRATION					29094	3.6 HRS ARR	(OL)	Garza,J	ONLINE
BA 100 - 3.0 UNITS FUNDAMENTALS OF BUSINESS					Note: Class will be held online. Go to Canvas at www.cerritos.edu/canvas .				
Transferable to UC, CSU					Class# 29094 meets 08/19/2019-11/29/2019				
NOTE: a material fee of \$20.00 is required for BA 100					24099	6.0 HRS ARR	(OL)	Daltro,M	ONLINE
20093	11:00-12:15PM	MW	Ramos,G	SS312	Note: Class will be held online. Go to Canvas at www.cerritos.edu/canvas .				
20094	9:30-10:45AM	TTh	Hu,J	BE119	Class# 24099 meets 08/19/2019-10/18/2019				
20095	2:00-3:15PM	MW	Titel,M	BE119	26997	6.0 HRS ARR	(OL)	Moriarty,C	ONLINE
21250	12:30-1:45PM	TTh	Ramos,G	SS312	Note: Class will be held online. Go to Canvas at www.cerritos.edu/canvas .				
30 Seats in this class are reserved for the FYE Business House Learning Community, which includes ENGL 100 #25967, MATH 114 #22806, MATH 5 #29021, and COUN 200 #26201. To enroll in the learning community, please complete this contract http://cms.cerritos.edu/lcp/FYE_Contract_Page.htm .					Class# 26997 meets 08/19/2019-10/18/2019				
21438	8:00-9:15AM	TTh	Daltro,M	BE116	26047	6.0 HRS ARR	(OL)	Daltro,M	ONLINE
21734	12:30-1:45PM	MW	STAFF	BE119	Note: Class will be held online. Go to Canvas at www.cerritos.edu/canvas .				
24409	9:30-10:45AM	MW	Wright,W	BE116	Class# 26047 meets 08/19/2019-10/18/2019				
27759	11:00-12:15PM	TTh	Grady,J	BE119	22123	6.0 HRS ARR	(OL)	STAFF	ONLINE
25587	6:30-9:20PM	M	Grady,J	BE116	Note: Class will be held online. Go to Canvas at www.cerritos.edu/canvas .				
26054	3.6 HRS ARR	(OL)	STAFF	ONLINE	27142	6.0 HRS ARR	(OL)	Daltro,M	ONLINE
Note: Class will be held online. Go to Canvas at www.cerritos.edu/canvas .					Note: Class will be held online. Go to Canvas at www.cerritos.edu/canvas .				
21772	2:00-3:30PM	TTh	STAFF	BE119	Class# 27142 meets 10/21/2019-12/20/2019				
27445	6.0 HRS ARR	(OL)	Livingston,R	ONLINE	23569	6.0 HRS ARR	(OL)	Wright,W	ONLINE
Note: Class will be held online. Go to Canvas at www.cerritos.edu/canvas .					Note: Class will be held online. Go to Canvas at www.cerritos.edu/canvas .				
					26781	6.0 HRS ARR	(OL)	Wright,W	ONLINE
					Note: Class will be held online. Go to Canvas at www.cerritos.edu/canvas .				
					Class# 26781 meets 10/21/2019-12/20/2019				
					BA 107 - 3.0 UNITS HUMAN RELATIONS IN BUSINESS				
					Transferable to CSU				
					NOTE: a material fee of \$20.00 is required for BA 107				
					25588	3.6 HRS ARR	(OL)	Acheson,M	ONLINE
					Note: Class will be held online. Go to Canvas at www.cerritos.edu/canvas .				
					Class# 25588 meets 08/19/2019-11/29/2019				
					23770	6.0 HRS ARR	(OL)	Acheson,M	ONLINE
					Note: Class will be held online. Go to Canvas at www.cerritos.edu/canvas .				
					Class# 23770 meets 08/19/2019-10/18/2019				
					23571	6.0 HRS ARR	(OL)	Wright,W	ONLINE
					Note: Class will be held online. Go to Canvas at www.cerritos.edu/canvas .				
					Class# 23571 meets 08/19/2019-10/18/2019				

Students not in attendance or late for the first class are subject to drop.

Class#	Time	Day	Instructor	Room	Class#	Time	Day	Instructor	Room
23570	6.0 HRS ARR	(OL)	Wright,W	ONLINE	BA 114 - 3.0 UNITS MARKETING Transferable to CSU NOTE: a material fee of \$20.00 is required for BA 114				
	Note: Class will be held online. Go to Canvas at www.cerritos.edu/canvas . Class# 23570 meets 08/19/2019-10/18/2019				22126	11:00-12:15PM	MW	Dokter,D	BE116
24420	6.0 HRS ARR	(OL)	Fantro,S	ONLINE	20098	6.0 HRS ARR	(OL)	Baber,J	ONLINE
	Note: Class will be held online. Go to Canvas at www.cerritos.edu/canvas . Class# 24420 meets 08/19/2019-10/18/2019					Note: Class will be held online. Go to Canvas at www.cerritos.edu/canvas . Class# 20098 meets 08/19/2019-10/18/2019			
26749	6.0 HRS ARR	(OL)	Fantro,S	ONLINE	22124	6.0 HRS ARR	(OL)	Dokter,D	ONLINE
	Note: Class will be held online. Go to Canvas at www.cerritos.edu/canvas . Class# 26749 meets 08/19/2019-10/18/2019					Note: Class will be held online. Go to Canvas at www.cerritos.edu/canvas . Class# 22124 meets 08/19/2019-10/18/2019			
29447	6.0 HRS ARR	(OL)	Elarcosa,J	ONLINE	27447	6.0 HRS ARR	(OL)	Livingston,R	ONLINE
	Note: For class information refer to canvas or contact your instructor. Class# 29447 meets 08/19/2019-12/20/2019					Note: Class will be held online. Go to Canvas at www.cerritos.edu/canvas . Class# 27447 meets 08/19/2019-10/18/2019			
27420	6.0 HRS ARR	(OL)	Van Dine,B	ONLINE	22854	6.0 HRS ARR	(OL)	Moriarty,C	ONLINE
	Note: Class will be held online. Go to Canvas at www.cerritos.edu/canvas . Class# 27420 meets 10/21/2019-12/20/2019					Note: Class will be held online. Go to Canvas at www.cerritos.edu/canvas . Class# 22854 meets 08/19/2019-10/18/2019			
26086	6.0 HRS ARR	(OL)	Livingston,R	ONLINE	27424	6.0 HRS ARR	(OL)	Moriarty,C	ONLINE
	Note: Class will be held online. Go to Canvas at www.cerritos.edu/canvas . Class# 26086 meets 10/21/2019-12/20/2019					Note: Class will be held online. Go to Canvas at www.cerritos.edu/canvas . Class# 27424 meets 08/19/2019-10/18/2019			
28769	6.0 HRS ARR	(OL)	Van Dine,B	ONLINE	20650	6.0 HRS ARR	(OL)	Livingston,R	ONLINE
	Note: Class will be held online. Go to Canvas at www.cerritos.edu/canvas . Class# 28769 meets 10/21/2019-12/20/2019					Note: Class will be held online. Go to Canvas at www.cerritos.edu/canvas . Class# 20650 meets 10/21/2019-12/20/2019			
BA 108 - 3.0 UNITS LABOR MANAGEMENT RELATIONS Transferable to CSU					BA 115 - 3.0 UNITS MANAGEMENT-BUSINESS Transferable to CSU NOTE: a material fee of \$20.00 is required for BA 115				
27766	6.0 HRS ARR	(OL)	Connelly,G	ONLINE	21441	11:00-12:15PM	TTh	Elarcosa,J	SS312
	Orientation: All class information is available in Canvas at https://cerritos.instructure.com/login/canvas Class# 27766 meets 10/21/2019-12/20/2019				20651	6.0 HRS ARR	(OL)	Livingston,R	ONLINE
						Note: Class will be held online. Go to Canvas at www.cerritos.edu/canvas . Class# 20651 meets 08/19/2019-10/18/2019			
BA 109 - 3.0 UNITS HUMAN RESOURCE DEVELOPMENT Transferable to CSU					27426 6.0 HRS ARR (OL) Ciraulo,J ONLINE Note: Class will be held online. Go to Canvas at www.cerritos.edu/canvas . Class# 27426 meets 08/19/2019-10/18/2019				
28277	3.6 HRS ARR	(OL)	Stevenson,K	ONLINE	24985 6.0 HRS ARR (OL) Ciraulo,J ONLINE Note: Class will be held online. Go to Canvas at www.cerritos.edu/canvas . Class# 24985 meets 08/19/2019-10/18/2019				
	Note: Class will be held online. Go to Canvas at www.cerritos.edu/canvas . Class# 28277 meets 09/09/2019-12/20/2019				23573 6.0 HRS ARR (OL) Ciraulo,J ONLINE Note: Class will be held online. Go to Canvas at www.cerritos.edu/canvas . Class# 23573 meets 08/19/2019-10/18/2019				
27767	6.0 HRS ARR	(OL)	Stevenson,K	ONLINE	22063 6.0 HRS ARR (OL) Livingston,R ONLINE Note: Class will be held online. Go to Canvas at www.cerritos.edu/canvas . Class# 22063 meets 10/21/2019-12/20/2019				
	Note: Class will be held online. Go to Canvas at www.cerritos.edu/canvas . Class# 27767 meets 08/19/2019-10/18/2019				23574 6.0 HRS ARR (OL) Moriarty,C ONLINE Note: Class will be held online. Go to Canvas at www.cerritos.edu/canvas . Class# 23574 meets 10/21/2019-12/20/2019				
BA 110 - 3.0 UNITS ADVERTISING Transferable to CSU NOTE: a material fee of \$20.00 is required for BA 110					24421 6.0 HRS ARR (OL) Grady,J ONLINE Note: Class will be held online. Go to Canvas at www.cerritos.edu/canvas . Class# 24421 meets 10/21/2019-12/20/2019				
27421	6.0 HRS ARR	(OL)	Elam,C	ONLINE	27448 6.0 HRS ARR (OL) Anaya,J ONLINE Note: Class will be held online. Go to Canvas at www.cerritos.edu/canvas . Class# 27448 meets 10/21/2019-12/20/2019				
	Note: Class will be held online. Go to Canvas at www.cerritos.edu/canvas . Class# 27421 meets 08/19/2019-10/18/2019				BA 118 - 3.0 UNITS RETAIL MANAGEMENT Transferable to CSU NOTE: a material fee of \$20.00 is required for BA 118				
BA 113 - 3.0 UNITS LEGAL ENVIRONMENT OF BUSINESS Transferable to UC, CSU					26215 6.0 HRS ARR (OL) Keshishyan,P ONLINE Note: Class will be held online. Go to Canvas at www.cerritos.edu/canvas . Class# 26215 meets 08/19/2019-10/18/2019				
20649	9:30-10:45AM	MW	Ramos,G	SS312	22852 6.0 HRS ARR (OL) Moriarty,C ONLINE Note: Class will be held online. Go to Canvas at www.cerritos.edu/canvas . Class# 22852 meets 10/21/2019-12/20/2019				
21439	9:30-10:45AM	TTh	Ramos,G	SS312	24412 6.0 HRS ARR (OL) Ciraulo,T ONLINE Note: Class will be held online. Go to Canvas at www.cerritos.edu/canvas . Class# 24412 meets 10/21/2019-12/20/2019				
21773	3.6 HRS ARR	(OL)	Ramos,G	ONLINE	27762 6.0 HRS ARR (OL) Baber,J ONLINE Note: Class will be held online. Go to Canvas at www.cerritos.edu/canvas . Class# 27762 meets 10/21/2019-12/20/2019				
	Orientation: Midterm and Final exams to be taken on-campus or online. Further class information will be available at www.cerritos.edu/baonline Canvas at http://cerritos.instructure.com/login/canvas Class# 21773 meets 08/19/2019-11/29/2019				29095 6.0 HRS ARR (OL) Ciraulo,T ONLINE Note: Class will be held online. Go to Canvas at www.cerritos.edu/canvas . Class# 29095 meets 10/21/2019-12/20/2019				
22851	3.6 HRS ARR	(OL)	Vega III,W	ONLINE	29096 6.0 HRS ARR (OL) Ciraulo,T ONLINE Note: Class will be held online. Go to Canvas at www.cerritos.edu/canvas . Class# 29096 meets 10/21/2019-12/20/2019				
	Orientation: Midterm and Final exams to be taken on-campus or online. Further class information will be available at www.cerritos.edu/baonline Canvas at http://cerritos.instructure.com/login/canvas Class# 22851 meets 08/19/2019-11/29/2019								
25589	3.6 HRS ARR	(OL)	Ramos,G	ONLINE					
	Orientation: Midterm and Final exams to be taken on-campus or online. Further class information will be available at www.cerritos.edu/baonline Canvas at http://cerritos.instructure.com/login/canvas Class# 25589 meets 09/09/2019-12/20/2019								
26212	3.6 HRS ARR	(OL)	Paquette,R	ONLINE					
	Orientation: Midterm and Final exams to be taken on-campus or online. Further class information will be available at www.cerritos.edu/baonline Canvas at http://cerritos.instructure.com/login/canvas Class# 26212 meets 09/09/2019-12/20/2019								
25664	6:30-9:50PM	T	Paquette,R	BE119					
	Class# 25664 meets 09/10/2019-12/17/2019								
27422	6.0 HRS ARR	(OL)	Daltro,M	ONLINE					
	Orientation: Midterm and Final exams to be taken on-campus or online. Further class information will be available at www.cerritos.edu/baonline Canvas at http://cerritos.instructure.com/login/canvas Class# 27422 meets 10/21/2019-12/20/2019								

Students not in attendance or late for the first class are subject to drop.

Class#	Time	Day	Instructor	Room	Class#	Time	Day	Instructor	Room
BA 120 - 3.0 UNITS MANAGEMENT-ACCOUNTING AND INTERNAL CONTROL Transferable to CSU NOTE: a material fee of \$20.00 is required for BA 120					27427 6.0 HRS ARR (OL) Jo,J ONLINE Note: Class will be held online. Go to Canvas at www.cerritos.edu/canvas . Class# 27427 meets 10/21/2019-12/20/2019				
22551	3.6 HRS ARR	(OL)	Titel,M	ONLINE	BA 155 - 3.0 UNITS INTRODUCTION TO GLOBAL LOGISTICS Transferable to CSU Recommendation: BA 101 or equivalent with a grade of Pass or "C" or higher.				
25590	6.0 HRS ARR	(OL)	Ghidella,R	ONLINE	26055	6.0 HRS ARR	(OL)	Brown,S	ONLINE
Note: Class will be held online. Go to Canvas at www.cerritos.edu/canvas . Class# 22551 meets 08/19/2019-11/29/2019					Note: Class will be held online. Go to Canvas at www.cerritos.edu/canvas . Class# 26055 meets 10/21/2019-12/20/2019				
26216	6.0 HRS ARR	(OL)	Keshishyan,P	ONLINE	BA 156 - 3.0 UNITS MOTIVATIONAL PRESENTATION SKILLS FOR MANAGERS Transferable to CSU NOTE: a material fee of \$20.00 is required for BA 156				
26218	6.0 HRS ARR	(OL)	Keshishyan,P	ONLINE	25592	3.6 HRS ARR	(OL)	Jo,J	ONLINE
Note: Class will be held online. Go to Canvas at www.cerritos.edu/canvas . Class# 26216 meets 08/19/2019-10/18/2019					Note: Class will be held online. Go to Canvas at www.cerritos.edu/canvas . Class# 25592 meets 08/19/2019-11/29/2019				
27763	6.0 HRS ARR	(OL)	Ghidella,R	ONLINE	22287	6.0 HRS ARR	(OL)	Celestine,M	ONLINE
Note: Class will be held online. Go to Canvas at www.cerritos.edu/canvas . Class# 26218 meets 10/21/2019-12/20/2019					Note: Class will be held online. Go to Canvas at www.cerritos.edu/canvas . Class# 22287 meets 08/19/2019-10/18/2019				
Note: Class will be held online. Go to Canvas at www.cerritos.edu/canvas . Class# 27763 meets 10/21/2019-12/20/2019					23771 6.0 HRS ARR (OL) Stevenson,K ONLINE Note: Class will be held online. Go to Canvas at www.cerritos.edu/canvas . Class# 23771 meets 08/19/2019-10/18/2019				
BA 121 - 3.0 UNITS SALES Transferable to CSU NOTE: a material fee of \$20.00 is required for BA 121					26737 6.0 HRS ARR (OL) Titel,M ONLINE Note: Class will be held online. Go to Canvas at www.cerritos.edu/canvas . Class# 26737 meets 10/21/2019-12/20/2019				
20099	6.0 HRS ARR	(OL)	Munoz,D	ONLINE	27145	6.0 HRS ARR	(OL)	STAFF	ONLINE
Note: Class will be held online. Go to Canvas at www.cerritos.edu/canvas . Class# 20099 meets 10/21/2019-12/20/2019					Note: Class will be held online. Go to Canvas at www.cerritos.edu/canvas . Class# 27145 meets 10/21/2019-12/20/2019				
28285	6.0 HRS ARR	(OL)	Elam,C	ONLINE	29097	6.0 HRS ARR	(OL)	Elarcosa,J	ONLINE
Note: Class will be held online. Go to Canvas at www.cerritos.edu/canvas . Class# 28285 meets 10/21/2019-12/20/2019					Note: Class will be held online. Go to Canvas at www.cerritos.edu/canvas . Class# 29097 meets 10/21/2019-12/20/2019				
BA 124 - 3.0 UNITS FUNDAMENTALS OF TRAINING Transferable to CSU					BA 157 - 3.0 UNITS PRINCIPLES OF PUBLIC RELATIONS Transferable to CSU NOTE: a material fee of \$20.00 is required for BA 157				
29098	3.6 HRS ARR	(OL)	Garza,J	ONLINE	22661	3.6 HRS ARR	(OL)	Moriarty,C	ONLINE
Note: Class will be held online. Go to Canvas at www.cerritos.edu/canvas . Class# 29098 meets 08/19/2019-11/29/2019					Note: Class will be held online. Go to Canvas at www.cerritos.edu/canvas . Class# 22661 meets 09/09/2019-12/20/2019				
BA 132 - 3.0 UNITS COMPUTER APPLICATIONS FOR MANAGERS Transferable to CSU NOTE: a material fee of \$20.00 is required for BA 132					BA 204 - 3.0 UNITS PROJECT MANAGEMENT Transferable to CSU NOTE: a material fee of \$20.00 is required for BA 204				
27760	9:30-10:45AM	MW	STAFF	BE122	23585	3.6 HRS ARR	(OL)	Brown,S	ONLINE
26545	6.0 HRS ARR	(OL)	Garza,J	ONLINE	Note: Class will be held online. Go to Canvas at www.cerritos.edu/canvas . Class# 23585 meets 08/19/2019-11/29/2019				
Note: Class will be held online. Go to Canvas at www.cerritos.edu/canvas . Class# 26545 meets 08/19/2019-10/18/2019					BA 205 - 3.0 UNITS ORGANIZATIONAL LEADERSHIP Transferable to CSU				
22554	6.0 HRS ARR	(OL)	Franks Sayed,D	ONLINE	23586	6.0 HRS ARR	(OL)	Dokter,D	ONLINE
Note: Class will be held online. Go to Canvas at www.cerritos.edu/canvas . Class# 22554 meets 08/19/2019-10/18/2019					Note: Class will be held online. Go to Canvas at www.cerritos.edu/canvas . Class# 23586 meets 08/19/2019-10/18/2019				
22553	6.0 HRS ARR	(OL)	Wilson,D	ONLINE	BA 208 - 3.0 UNITS LEADERSHIP FOR WOMEN IN BUSINESS Transferable to UC, CSU				
Note: Class will be held online. Go to Canvas at www.cerritos.edu/canvas . Class# 22553 meets 08/19/2019-10/18/2019					22549 3.6 HRS ARR Livingston,B (Women's Studies) ONLINE Note: Class will be held online. Go to Canvas at www.cerritos.edu/canvas . Class# 22549 meets 08/19/2019-11/29/2019				
25158	6.0 HRS ARR	(OL)	STAFF	ONLINE	25738	3.6 HRS ARR	(OL)	Livingston,B (Women's Studies)	ONLINE
Note: Class will be held online. Go to Canvas at www.cerritos.edu/canvas . Class# 25158 meets 10/21/2019-12/20/2019					Note: Class will be held online. Go to Canvas at www.cerritos.edu/canvas . Class# 25738 meets 08/19/2019-11/29/2019				
27764	6.0 HRS ARR	(OL)	Wright,W	ONLINE	26221	6.0 HRS ARR	(OL)	Livingston,B (Women's Studies)	ONLINE
Note: Class will be held online. Go to Canvas at www.cerritos.edu/canvas . Class# 27764 meets 10/21/2019-12/20/2019					Note: Class will be held online. Go to Canvas at www.cerritos.edu/canvas . Class# 26221 meets 10/21/2019-12/20/2019				
27765	6.0 HRS ARR	(OL)	STAFF	ONLINE	BA 152 - 3.0 UNITS FUNDAMENTALS OF IMPORTING AND EXPORTING Transferable to CSU				
Note: Class will be held online. Go to Canvas at www.cerritos.edu/canvas . Class# 27765 meets 10/21/2019-12/20/2019					27285 6.0 HRS ARR (OL) STAFF ONLINE Note: Class will be held online. Go to Canvas at www.cerritos.edu/canvas . Class# 27285 meets 10/21/2019-12/20/2019				
29448	6.0 HRS ARR	(OL)	Elarcosa,J	ONLINE	BA 153 - 3.0 UNITS SMALL BUSINESS MANAGEMENT Transferable to CSU NOTE: a material fee of \$20.00 is required for BA 153				
Note: For class information refer to canvas or contact your instructor. Class# 29448 meets 10/21/2019-12/20/2019					21774 6.0 HRS ARR (OL) Anaya,J ONLINE Note: Class will be held online. Go to Canvas at www.cerritos.edu/canvas . Class# 21774 meets 08/19/2019-10/18/2019				

Students not in attendance or late for the first class are subject to drop.

Class#	Time	Day	Instructor	Room	Class#	Time	Day	Instructor	Room
--------	------	-----	------------	------	--------	------	-----	------------	------

BUSINESS COMMUNICATIONS OFFICE TECHNOLOGY

BCOT 60 - 1.0 UNIT CUSTOMER SERVICE/TELEPHONE TECHNIQUES

Not Transferable

22856 2.0 HRS ARR (OL) Wyszpolski,J ONLINE

Note: Class information available in Canvas. Class offered only in the FALL semester.

Class# 22856 meets 10/21/2019-12/20/2019

BCOT 62 - 1.0 UNIT COMPUTER KEYBOARDING

Not Transferable

NOTE: a material fee of \$1.00 is required for BCOT 62

21346 2.0 HRS ARR (OL) Sharp,M ONLINE

Note: Class information available in Canvas.

+ 1.0 HRS ARR (OL) Sharp,M ONLINE

Orientation: All class information will be available in Canvas.

Class# 21346 meets 08/19/2019-10/18/2019

BCOT 63 - 1.0 UNIT KEYBOARDING SPEED/CONTROL BUILDING

Not Transferable

Recommendation: Knowledge of keyboard and key strokes.

NOTE: a material fee of \$1.00 is required for BCOT 63

21488 2.0 HRS ARR (OL) Shopfner,J ONLINE

Note: Class information available in Canvas.

+ 1.0 HRS ARR (OL) Shopfner,J ONLINE

Class# 21488 meets 08/19/2019-10/18/2019

27728 2.0 HRS ARR (OL) Shopfner,J ONLINE

Note: Class information available in Canvas.

+ 1.0 HRS ARR (OL) Shopfner,J ONLINE

Class# 27728 meets 10/21/2019-12/20/2019

BCOT 81 - 4.0 UNITS LEGAL OFFICE PROCEDURES

Not Transferable

Recommendation: BCOT 131 or equivalent with a grade of "C" or higher or "Pass.

NOTE: a material fee of \$4.00 is required for BCOT 81

29274 3.0 HRS ARR (OL) STAFF ONLINE

+ 1.5 HRS ARR (OL) STAFF ONLINE

Note: Class information available in Canvas. Class offered only in the FALL semester.

BCOT 96 - 1.5 UNITS MICROSOFT POWERPOINT

Not Transferable

NOTE: a material fee of \$2.00 is required for BCOT 96

29114 3.0 HRS ARR (OL) STAFF ONLINE

Note: Class information available in Canvas.

+ 2.0 HRS ARR (OL) STAFF ONLINE

Class# 29114 meets 08/19/2019-10/18/2019

BCOT 97 - 1.5 UNITS MICROSOFT OUTLOOK

Not Transferable

NOTE: a material fee of \$2.00 is required for BCOT 97

21350 3.0 HRS ARR (OL) Wyszpolski,J ONLINE

Note: Class information available in Canvas.

+ 2.0 HRS ARR (OL) Wyszpolski,J ONLINE

Class# 21350 meets 10/21/2019-12/20/2019

BCOT 112 - 3.5 UNITS MICROSOFT WORD

Transferable to CSU

Recommendation: Ability to type 30 wpm.

NOTE: a material fee of \$4.00 is required for BCOT 112

21357 3.0 HRS ARR (OL) Sharp,M ONLINE

Note: Class information available in Canvas.

+ 2.0 HRS ARR (OL) Sharp,M ONLINE

BCOT 113 - 3.5 UNITS MICROSOFT EXCEL

Transferable to CSU

NOTE: a material fee of \$4.00 is required for BCOT 113

21359 8:00-9:30AM MW STAFF (HYBRID) BE121

9:30-10:15AM MW STAFF (HYBRID) BE121

Note: Class information available in Canvas.

25596 11:00-12:30PM MW STAFF BE121

12:30-1:20PM MW STAFF BE121

Note: First week class will meet on Monday and Wednesday, and the instructor will inform the students of future classes.

Class# 25596 meets 09/09/2019-12/20/2019

BCOT 114 - 3.5 UNITS INTRODUCTION TO MICROSOFT OFFICE

Transferable to CSU

Recommendation: Ability to type 30 wpm.

NOTE: a material fee of \$4.00 is required for BCOT 114

29116 3.0 HRS ARR (OL) Soden,B ONLINE

Note: Class information available in Canvas.

+ 2.0 HRS ARR (OL) Soden,B ONLINE

Orientation: All class information will be available in Canvas. Submit student information form that is in Canvas. This is the way that I take initial roll.

BCOT 150 - 3.0 UNITS INTERNATIONAL BUSINESS COMMUNICATION

Transferable to CSU

Recommendation: BCOT 147 or ENGL 100 or equivalent with a grade of Pass or "C" or higher.

25602 3.6 HRS ARR (OL) Wyszpolski,J ONLINE

Note: Class information available in Canvas. Class offered only in the FALL semester.

Class# 25602 meets 09/09/2019-12/20/2019

BCOT 152 - 1.5 UNITS JOB SEARCH IN THE BUSINESS FIELD

Transferable to CSU

Recommendation: Completion of or near completion of any certificate or AA

Degree in any Business discipline.

27006 9:00-10:15AM TTh STAFF BE121

Note: First week class will meet on Tuesday and Thursday, and the instructor will inform students of future classes. Class offered only in the FALL semester.

Class# 27006 meets 10/21/2019-12/20/2019

BCOT 162 - 3.0 UNITS BUSINESS SPELLING AND PROOFREADING SKILLS

Transferable to CSU

26202 3.0 HRS ARR (OL) Sharp,M ONLINE

Note: See class information in Canvas. Class offered only in the FALL semester.

BCOT 247 - 3.0 UNITS MANAGERIAL BUSINESS COMMUNICATIONS

Transferable to CSU

Prerequisite: ENGL 100 or equivalent with a grade of Pass or "C" or higher

25410 3.0 HRS ARR (OL) Sharp,M ONLINE

Note: See class information in Canvas.

25667 10:00-11:15AM MW Sharp,M (HYBRID) BE120

Note: First week class will meet on Monday and Wednesday, and the instructor will inform the students of future classes.

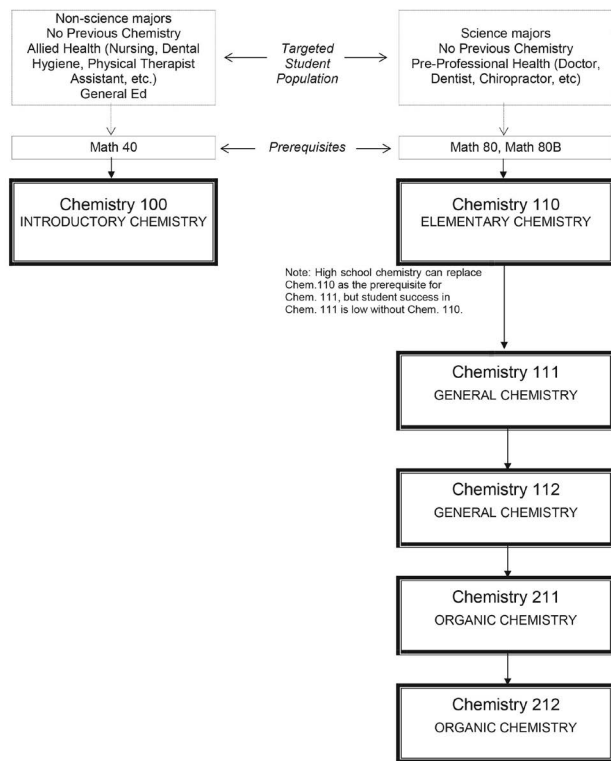
25668 9:00-10:30AM TTh Sharp,M (HYBRID) BE120

Note: First week class will meet on Tuesday and Thursday, and the instructor will inform the students of future classes.

Class# 25668 meets 09/10/2019-12/19/2019

CHEMISTRY

CHEMISTRY DEPARTMENT COURSE SEQUENCE



CHEM 95A - 0.5 UNIT TUTORING FOR CHEM 100-INTRODUCTORY CHEMISTRY

Not Transferable
Corequisite: CHEM 100

26870 2.0 HRS ARR Waldman,L
Class# 26870 meets 08/19/2019-12/20/2019

CHEM 95B - 0.5 UNIT TUTORING FOR CHEM 110-ELEMENTARY CHEMISTRY

Not Transferable
Corequisite: CHEM 110

26872 2.0 HRS ARR Waldman,L
Class# 26872 meets 08/19/2019-12/20/2019

CHEM 95C - 0.5 UNIT TUTORING FOR CHEM 111-GENERAL CHEMISTRY

Not Transferable
Corequisite: CHEM 111

26874 2.0 HRS ARR Waldman,L
Class# 26874 meets 08/19/2019-12/20/2019

CHEM 95D - 0.5 UNIT TUTORING FOR CHEM 112- GENERAL CHEMISTRY

Not Transferable
Corequisite: CHEM 112

26876 2.0 HRS ARR Waldman,L
Class# 26876 meets 08/19/2019-12/20/2019

CHEM 95E - 0.5 UNIT TUTORING FOR CHEM 211-ORGANIC CHEMISTRY

Not Transferable
Corequisite: CHEM 211

27313 2.0 HRS ARR Waldman,L
Class# 27313 meets 08/19/2019-12/20/2019

CHEM 95F - 0.5 UNIT TUTORING FOR CHEM 212 - ORGANIC CHEMISTRY

Not Transferable
Corequisite: CHEM 212

27314 2.0 HRS ARR Waldman,L
Class# 27314 meets 08/19/2019-12/20/2019

CHEM 100 - 4.0 UNITS INTRODUCTORY CHEMISTRY

Transferable to UC, CSU (CAN CHEM 6)
Prerequisite: MATH 40 or equivalent with a grade of "C" or higher or "Pass" or completion of the math placement process with a score eligible for MATH 60.
Recommendation: Meet the prerequisite within four years prior to the date of enrollment in CHEM 100.

20002 5:30-6:45PM TTh STAFF S 215
Note: PLEASE ENROLL IN LAB SECTION OF YOUR CHOICE. THE LECTURE SECTION #20002 WILL AUTOMATICALLY BE ASSIGNED.

20003 7:00-9:50PM Th STAFF S 215
25399 12:30-1:45PM TTh Waldman,L S 201
Note: PLEASE ENROLL IN LAB SECTION OF YOUR CHOICE. THE LECTURE SECTION #25399 WILL AUTOMATICALLY BE ASSIGNED.

29355 2:00-4:50PM T Khodagholian,S S 215
29356 2:00-4:50PM Th Khodagholian,S S 215
24296 9:30-10:45AM MW Waldman,L S 102
Note: PLEASE ENROLL IN LAB SECTION OF YOUR CHOICE. THE LECTURE SECTION #24296 WILL AUTOMATICALLY BE ASSIGNED.

20004 9:30-12:20PM F Nguyen,H S 215
25400 12:30-3:20PM F Rajeckas,A S 215
24298 8:00-9:15AM MW Waldman,L S 102
Note: PLEASE ENROLL IN LAB SECTION OF YOUR CHOICE. THE LECTURE SECTION #24298 WILL AUTOMATICALLY BE ASSIGNED.

24297 11:00-1:50PM W Waldman,L S 215
24299 11:00-1:50PM M Waldman,L S 215
26762 5:30-6:45PM MW Dukhovny,O S 215
Note: PLEASE ENROLL IN LAB SECTION OF YOUR CHOICE. THE LECTURE SECTION #26762 WILL AUTOMATICALLY BE ASSIGNED.

26763 7:00-9:50PM W Chen,K S 215

CHEM 110 - 4.0 UNITS ELEMENTARY CHEMISTRY

Transferable to UC, CSU
Prerequisite: MATH 80 or MATH 80B or equivalent with a grade of "C" or higher or "Pass" or completion of the math placement process with a score eligible for MATH courses numbered 100 level or higher.
Recommendation: Meet the prerequisite within four years prior to the date of enrollment in CHEM 110.

20006 11:00-12:15PM MW STAFF S 219
Note: PLEASE ENROLL IN LAB SECTION OF YOUR CHOICE. THE LECTURE SECTION #20006 WILL AUTOMATICALLY BE ASSIGNED.

20009 8:00-10:50AM Th Bradbury,J S 219
20007 9:30-10:45AM TTh STAFF S 202
Note: PLEASE ENROLL IN LAB SECTION OF YOUR CHOICE. THE LECTURE SECTION #20007 WILL AUTOMATICALLY BE ASSIGNED.

26001 8:00-10:50AM M Nauli,S S 219
20008 12:30-1:45PM TTh STAFF S 219
Note: PLEASE ENROLL IN LAB SECTION OF YOUR CHOICE. THE LECTURE SECTION #20008 WILL AUTOMATICALLY BE ASSIGNED.

22649 2:00-4:50PM Th STAFF S 219
25606 9:30-10:45AM MW STAFF S 215
Note: PLEASE ENROLL IN LAB SECTION OF YOUR CHOICE. THE LECTURE SECTION #25606 WILL AUTOMATICALLY BE ASSIGNED.

25607 8:00-10:50AM T STAFF S 219
20026 5:30-6:45PM MW Chen,K S 219
Note: PLEASE ENROLL IN LAB SECTION OF YOUR CHOICE. THE LECTURE SECTION #20026 WILL AUTOMATICALLY BE ASSIGNED.

20028 7:00-9:50PM M Chen,K S 219
24954 4:00-5:15PM MW Mathur,R S 219
Note: PLEASE ENROLL IN LAB SECTION OF YOUR CHOICE. THE LECTURE SECTION #24954 WILL AUTOMATICALLY BE ASSIGNED.

24300 1:00-3:50PM W Mathur,R S 219
25608 2:00-3:15PM TTh Bonness Jr.,N S 102
Note: PLEASE ENROLL IN LAB SECTION OF YOUR CHOICE. THE LECTURE SECTION #25608 WILL AUTOMATICALLY BE ASSIGNED.

25609 1:00-3:50PM M Bonness Jr.,N S 219
26000 11:00-12:15PM MW Nauli,S S 201
Note: PLEASE ENROLL IN LAB SECTION OF YOUR CHOICE. THE LECTURE SECTION #26000 WILL AUTOMATICALLY BE ASSIGNED.

20010 8:00-10:50AM W Nauli,S S 219

Class#	Time	Day	Instructor	Room	Class#	Time	Day	Instructor	Room
CHEM 111 - 5.0 UNITS GENERAL CHEMISTRY					CHILD DEVELOPMENT				
Transferable to UC, CSU (CAN CHEM 2)(CAN CHEM SEQ A)					Transferable to UC, CSU (CAN HEC 14)				
Prerequisite: CHEM 110 or equivalent with a grade of "C" or higher or "Pass" and MATH 80 or MATH 80B or equivalent with a grade of "C" or higher or "Pass" or completion of the math placement process with a score eligible for MATH courses numbered 100 level or higher.					CD 110 - 3.0 UNITS CHILD DEVELOPMENT				
Recommendation: Meet the prerequisite within four years prior to the date of enrollment in CHEM 111.					Transferable to UC, CSU (CAN HEC 14)				
20013	11:00-12:15PM	MW	Moskun,A	S 102	20120	11:00-1:50PM	M	Gradin,S	HS101
Note: PLEASE ENROLL IN LAB SECTION OF YOUR CHOICE. THE LECTURE SECTION #20013 WILL AUTOMATICALLY BE ASSIGNED.					Earn a Bachelor's Degree in Child Development from the University of LaVerne. For information call (909) 593-3511, extension 5436.				
20015	8:00-10:50AM	MW	Moskun,A	S 222	20121	2:00-4:50PM	Th	Pullman,S	HS101
20017	2:00-4:50PM	MW	Bradbury,J	S 222	Targeted for Future Teachers but Open to all Students				
20029	12:30-1:45PM	MW	Bradbury,J	S 102	23800	2:00-4:50PM	M	Gibson,D	HS101
Note: PLEASE ENROLL IN LAB SECTION OF YOUR CHOICE. THE LECTURE SECTION #20029 WILL AUTOMATICALLY BE ASSIGNED.					Targeted for Future Teachers but Open to all Students				
21263	11:00-2:00PM	MW	STAFF	S 222	20122	8:00-10:50AM	W	Beck,A	HS101
22650	5:30-6:45PM	MW	STAFF	S 102	Targeted for Future Teachers but Open to all Students				
Note: PLEASE ENROLL IN LAB SECTION OF YOUR CHOICE. THE LECTURE SECTION #22650 WILL AUTOMATICALLY BE ASSIGNED.					22181	7:00-9:50PM	M	O'Neill,C	SL107
23999	5:30-6:45PM	TTh	Ho,T	S 102	23805	11:00-1:50PM	W	Andrade,O	HS101
Note: PLEASE ENROLL IN LAB SECTION OF YOUR CHOICE. THE LECTURE SECTION #23999 WILL AUTOMATICALLY BE ASSIGNED.					Targeted for Future Teachers but Open to all Students				
24000	7:00-9:50PM	TTh	Ho,T	S 222	20124	8:00-10:50AM	Th	Andrade,O	SL107
25401	12:30-1:45PM	TTh	Shimazu,C	S 224	Targeted for Future Teachers but Open to all Students				
Note: PLEASE ENROLL IN LAB SECTION OF YOUR CHOICE. THE LECTURE SECTION #25401 WILL AUTOMATICALLY BE ASSIGNED.					22182	3.0 HRS ARR	(OL)	Beck,A	ONLINE
25402	9:30-12:20PM	TTh	Shimazu,C	S 224	Mandatory orientation: 9:00 – 12:00 p.m., Friday, August 23, 2019 in SL109.;Targeted for Future Teachers but Open to all Students				
CHEM 112 - 5.0 UNITS GENERAL CHEMISTRY					27024	2:00-4:50PM	T	Black,K	HS101
Transferable to UC, CSU (CAN CHEM 4)(CAN CHEM SEQ A)					27025	11:00-1:50PM	F	Pullman,S	HS101
Prerequisite: CHEM 111 or equivalent with a grade of "C" or higher or "Pass." Recommendation: It is strongly recommended that the preceding prerequisite be completed within four years prior to the date of enrollment in CHEM 112.					Targeted for Future Teachers but Open to all Students				
20018	2:00-3:15PM	TTh	Bradbury,J	S 222	27026	7:00-9:50PM	Th	Shah, S	HS104
Note: PLEASE ENROLL IN LAB SECTION OF YOUR CHOICE. THE LECTURE SECTION #20018 WILL AUTOMATICALLY BE ASSIGNED.					27061	9:00-12:10PM	Sat	Roque,G	HS101
20019	3:30-6:20PM	TTh	Bradbury,J	S 222	Class# 27061 meets 08/24/2019-12/14/2019				
21736	12:30-1:45PM	TTh	Moskun,A	S 222	CD 124 - 3.0 UNITS TEACHING IN A DIVERSE SOCIETY				
Note: PLEASE ENROLL IN LAB SECTION OF YOUR CHOICE. THE LECTURE SECTION #21736 WILL AUTOMATICALLY BE ASSIGNED.					Transferable to CSU				
21737	8:00-10:50AM	TTh	Moskun,A	S 222	20661	7:00-9:50PM	W	Palma,J	SL107
29357	5:30-6:45PM	MW	Bonness Jr.,N	S 222	22183	2:00-4:50PM	Th	Palma,J	SL107
Note: PLEASE ENROLL IN LAB SECTION OF YOUR CHOICE. THE LECTURE SECTION #29357 WILL AUTOMATICALLY BE ASSIGNED.					CD 139 - 3.0 UNITS OBSERVATION, ASSESSMENT, AND POSITIVE GUIDANCE OF CHILDHOOD				
29358	7:00-9:50PM	MW	Bonness Jr.,N	S 222	Transferable to CSU				
CHEM 211 - 5.0 UNITS ORGANIC CHEMISTRY					Recommendation: CDEC 111 and CD 110 or equivalent with grades of Pass or "C" or higher.				
Transferable to UC, CSU					20125	2:00-4:50PM	W	Gibson,D	HS103
Prerequisite: CHEM 112 or equivalent with a grade of "C" or higher or "Pass." Recommendation: It is strongly recommended that the preceding prerequisite be completed within four years prior to the date of enrollment in CHEM 211.					21761	7:00-9:50PM	Th	Gibson,D	SL109
20021	2:00-4:50PM	TTh	Martinez,C	S 224	29279	3.0 HRS ARR	(OL)	Beck,A	ONLINE
20023	11:00-1:50PM	MW	Lou,R	S 224	Mandatory orientation: 1:00 – 4:00 p.m., Friday, August 23, 2019 in SL109.				
25404	12:30-1:45PM	TTh	Lou,R	S 102	CHILD DEVELOPMENT/EARLY CHILDHOOD				
Note: PLEASE ENROLL IN LAB SECTION OF YOUR CHOICE. THE LECTURE SECTION #25404 WILL AUTOMATICALLY BE ASSIGNED.					CDEC 62 - 3.0 UNITS EXPLORING CREATIVE ART EXPRESSION BY CHILDREN				
25406	8:00-10:50AM	MW	Lou,R	S 224	Not Transferable				
CHEM 212 - 5.0 UNITS ORGANIC CHEMISTRY					Prerequisite: CDEC 112 or equivalent with a grade of Pass or "C" or higher.				
Transferable to UC, CSU					NOTE: a material fee of \$10.00 is required for CDEC 62				
Prerequisite: CHEM 211 or equivalent with a grade of "C" or higher or "Pass." Recommendation: It is strongly recommended that the preceding prerequisite be completed within four years prior to the date of enrollment in CHEM 212.					29071	7:00-9:50PM	TTh	Gradin,S	HS101
26195	9:30-10:45AM	TTh	Dahl Jr.,M	S 102	Class# 29071 meets 08/20/2019-10/17/2019				
Note: PLEASE ENROLL IN LAB SECTION OF YOUR CHOICE. THE LECTURE SECTION #26195 WILL AUTOMATICALLY BE ASSIGNED.					CDEC 65 - 3.0 UNITS MUSIC AND MOVEMENT FOR CHILDREN				
26196	8:30-2:20PM	F	Dahl Jr.,M	S 224	Not Transferable				
CHEM 250L - 1.0 UNIT SPECIAL TOPICS IN CHEMISTRY					Prerequisite: CDEC 112 or equivalent with a grade of Pass or "C" or higher.				
Transfer CSU, UC determined after admission					29072	7:00-9:50PM	TTh	Gradin,S	HS101
Prerequisite: CHEM 111 or equivalent with a grade of "C" or higher or "Pass."					Class# 29072 meets 10/22/2019-12/19/2019				
22234	3.0 HRS ARR		Waldman,L		CDEC 111 - 3.0 UNITS PRINCIPLES AND PRACTICES IN EARLY CHILDHOOD EDUCATION				
					Transferable to CSU				
					20128	8:00-10:50AM	Th	Ramirez,M	HS104
					20127	7:00-9:50PM	T	Andrade,O	SL107
					24178	11:00-1:50PM	F	Palma,J	SL107
					CDEC 112 - 3.0 UNITS INTRODUCTION TO CURRICULUM				
					Transferable to CSU				
					20665	8:00-10:50AM	M	Andrade,O	HS101
					20130	2:00-4:50PM	W	Tharuvai,S	HS101
					23803	7:00-9:50PM	W	Tharuvai,S	HS101

Students not in attendance or late for the first class are subject to drop.

Class#	Time	Day	Instructor	Room	Class#	Time	Day	Instructor	Room
CDEC 113 - 3.0 UNITS THE CHILD, FAMILY, AND COMMUNITY									
Transferable to CSU									
23804	7:00-9:50PM	M	Palma,J	HS103					
20132	11:00-1:50PM	M	Palma,J	SL107					
21660	8:00-10:50AM	T	Beck,A	HS101					
CDEC 161 - 3.0 UNITS HEALTH, SAFETY, AND NUTRITION									
Transferable to CSU									
20662	7:00-9:50PM	Th	Sandoval,Y	SL107					
22355	8:00-11:00AM	Th	Beck,A	HS101					
CDEC 164 - 3.0 UNITS PRACTICUM FIELD EXPERIENCE									
Students enrolled in CDEC 164 are required to spend 3 hours per week in placement for a total of 54 hours per semester. TB clearance, flu shot, Tdap and MMR immunizations, plus good health are required to participate in this course.									
Transferable to CSU									
Prerequisite: CD 110, CDEC 111, CDEC 112, and CDEC 113 or equivalent with grades of Pass or "C" or higher.									
Recommendation: CD 124, CD 139, and CDEC 161.									
22184	7:00-8:50PM	M	Gradin,S	SL108					
+ 3.0 HRS ARR									
26164	6:00-7:50PM	Th	Ward,D	HS103					
+ 3.0 HRS ARR									
CDEC 166 - 3.0 UNITS ADMINISTRATION I: PROGRAMS IN EARLY CHILDHOOD EDUCATION									
Transferable to CSU									
Prerequisite: CD 110, CDEC 111, CDEC 112, and CDEC 113 or equivalents with grades of "C" or higher or "Pass."									
26168	9:00-12:10PM	Sat	Gradin,S	HS103					
CDEC 230 - 3.0 UNITS ADULT SUPERVISION AND MENTORING IN EARLY CARE AND EDUCATION									
Transferable to CSU									
Prerequisite: CD 110, CDEC 111, CDEC 112, and CDEC 113 or equivalents with grades of "C" or higher or "Pass."									
20668	7:00-9:50PM	T	Gibson,D	HS104					

CHILD DEVELOPMENT/INFANT TODDLER

CDIT 151 - 3.0 UNITS INFANT AND TODDLER DEVELOPMENT				
Transferable to CSU				
Recommendation: CD 110 or equivalent with a grade of Pass or "C" or higher.				
20669	7:00-9:50PM	W	Banh,L	SL108
CDIT 152 - 3.0 UNITS CARE AND EDUCATION FOR INFANTS AND TODDLERS				
Transferable to CSU				
Recommendation: CD 110 and CDIT 151 or equivalent with grades of Pass or "C" or higher.				
22833	2:00-4:50PM	W	Gradin,S	SL107

CHILD DEVELOPMENT/SPECIAL EDUCATION

CDSE 150 - 3.0 UNITS INTRODUCTION TO CHILDREN WITH SPECIAL NEEDS				
Transferable to CSU				
26166	7:00-9:50PM	Th	Layne,J	SL108
CDSE 152 - 3.0 UNITS CURRICULUM AND STRATEGIES FOR CHILDREN WITH SPECIAL NEEDS				
Transferable to CSU				
26167	7:00-9:50PM	M	Roberts,R	HS104

CHINESE

CHIN 101 - 5.0 UNITS ELEMENTARY CHINESE				
Transferable to UC, CSU				
22601	12:30-2:45PM	TTh	Zhou,Y	(HYBRID) LA212
+ 1.0 HRS ARR Zhou,Y LC205				
LAB IS ONE HOUR PER WEEK IN THE SUCCESS CENTER; A PORTION OF THE HOURS FOR THIS CLASS WILL BE ONLINE				
22603	12:30-2:45PM	MW	Zhou,Y	(HYBRID) LA212
+ 1.0 HRS ARR Zhou,Y LC205				
LAB IS ONE HOUR PER WEEK IN THE SUCCESS CENTER				
A PORTION OF THE HOURS FOR THIS CLASS WILL BE ONLINE				
CHIN 102 - 5.0 UNITS ELEMENTARY CHINESE				
Transferable to UC, CSU				
Prerequisite: CHIN 101 or equivalent with a grade of Pass or "C" or higher.				
23483	4:00-6:15PM	MW	Zhou,Y	(HYBRID) LA212
+ 1.0 HRS ARR Zhou,Y LC205				
LAB IS ONE HOUR PER WEEK IN THE SUCCESS CENTER				
A PORTION OF THE HOURS FOR THIS CLASS WILL BE ONLINE				
CHIN 201 - 5.0 UNITS INTERMEDIATE CHINESE I				
Transferable to UC, CSU				
Prerequisite: CHIN 102 or equivalent with a grade of "C" or higher of Pass				
27077	4:00-6:15PM	TTh	Zhou,Y	(HYBRID) LA212
+ 0.3 HRS ARR Zhou,Y LC205				
LAB IS ONE HOUR PER WEEK IN THE SUCCESS CENTER				
A PORTION OF THE HOURS FOR THIS CLASS WILL BE ONLINE				
CHIN 202 - 5.0 UNITS INTERMEDIATE CHINESE II				
Transferable to UC, CSU				
Prerequisite: CHIN 201 or equivalent with a grade of "C" or higher or "Pass."				
27079	4:00-6:15PM	TTh	Zhou,Y	(HYBRID) LA212
+ 0.3 HRS ARR Zhou,Y LC205				
LAB IS ONE HOUR PER WEEK IN THE SUCCESS CENTER				
A PORTION OF THE HOURS FOR THIS CLASS WILL BE ONLINE				

COMMUNICATION STUDIES

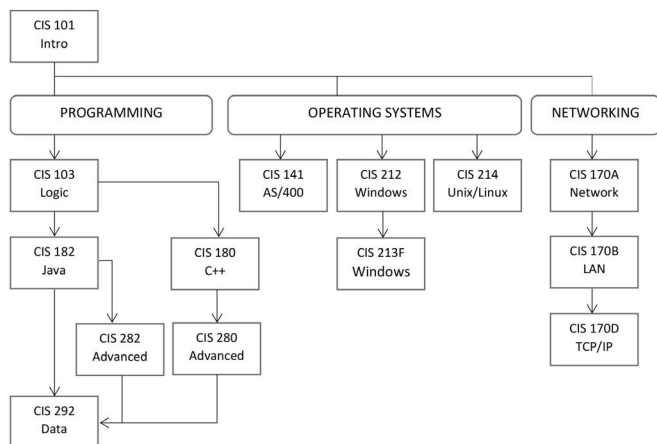
COMM 60 - 3.0 UNITS BASICS OF SPEECH COMMUNICATION				
Not Transferable				
29593	7:00-9:50PM	M	Forsythe,C	SS211
COMM 100 - 3.0 UNITS INTRODUCTION TO COMMUNICATIONS STUDIES				
Transferable to UC, CSU (CAN SPCH 2)				
Prerequisite: Completion of at least one of these courses with a grade of "C" or higher or "Pass" or an equivalent course: SPCH 60, ENGL 52, ENGL 72, ESL 152, READ 54, READ 97, or completion of the English or Reading Placement process.				
20571	11:00-12:15PM	TTh	Trickett,D	SS211
20574	4:00-5:15PM	MW	Hernandez,W	SS211
20575	9:30-10:45AM	TTh	Benitez-Whitney,M	LA105
20578	4:00-6:50PM	W	Curva,A	SS207
20579	7:00-9:50PM	Th	STAFF	SS211
20580	9:30-12:20PM	F	Nia,H	SS211
21786	6:30-9:45PM	W	STAFF	SS225
21656	2:30-3:45PM	MW	Hanniff,B	SS211
22279	1:00-3:50PM	F	Nia,H	SS211
27082	7:00-9:50PM	M	Salim,F	SS224
26538	5:30-6:45PM	MW	Hernandez,W	SS224
25973	5:30-6:45PM	TTh	Michel,L	SS211
26507	12:30-1:45PM	MW	Hanniff,B	SS224
26518	11:00-12:15PM	MW	Sparks Jr.,W	SS225
27193	4:00-6:50PM	Th	STAFF	SS225
27305	8:00-9:15AM	MW	Carrell,K	SS207
27325	9:30-10:45AM	TTh	Acosta-Licea,J	LM35*
This class is being held at our satellite campus. La Mirada Center, 15310 Alondra Blvd., La Mirada, 90638 in classroom #35				
27326	8:00-9:15AM	TTh	Acosta-Licea,J	LM35*
This class is being held at our satellite campus. La Mirada Center, 15310 Alondra Blvd., La Mirada, 90638 in classroom #35				
27451	9:30-12:15PM	M	Journey,J	SS224
27468	3.0 HRS ARR	(OL)	Wagner,H	ONLINE
Students must log-in to Canvas on or before the first day of class for course information.				

Students not in attendance or late for the first class are subject to drop.

Class#	Time	Day	Instructor	Room	Class#	Time	Day	Instructor	Room
27469	2:30-3:45PM	MW	Hernandez,W	SS225	29249	6.0 HRS ARR (OL)		Rosenfeld,K	ONLINE
27917	2:00-3:15PM	TTh	Hanniff,B	SS224	Students must log-in to Canvas on or before the first day of class for course information.				
27918	3:30-4:45PM	TTh	Toomey,A	SS211	Class# 29249 meets 08/19/2019-10/18/2019				
29242	8:00-9:15AM	MW	Journey,J	SS211	28151	6.0 HRS ARR (OL)		Rosenfeld,K	ONLINE
29244	3.0 HRS ARR (OL)		Hanniff,B	ONLINE	This course is completely online. Students must log-in to Canvas on or before the first day of class for course information.				
Students must log-in to Canvas on or before the first day of class for course information.					Class# 28151 meets 10/21/2019-12/20/2019				
29245	3.0 HRS ARR (OL)		Forsythe,C	ONLINE	COMM 120 - 3.0 UNITS INTERPERSONAL COMMUNICATION				
Students must log-in to Canvas on or before the first day of class for course information.					Transferable to CSU				
29246	3.0 HRS ARR (OL)		Wagner,H	ONLINE	Prerequisite: Completion of at least one of these courses with a grade of "C" or higher or "Pass" or an equivalent course:COMM60,ENGL 52,ENGL72,ESL 152,READ 54,READ 97 or completion of the English or Reading placement/assessment process with eligibility for ENGL 100.				
Students must log-in to Canvas on or before the first day of class for course information.					20582	7:00-9:50PM	T	STAFF	SS211
29352	4:00-6:50PM	M	Curva,A	SS207	21864	12:30-1:45PM	TTh	Hanniff,B	SS224
29603	8:00-9:15AM	MW	STAFF	LM35*	20583	11:00-12:15PM	TTh	Toomey,A	SS207
Note: This class is being held at our satellite campus. La Mirada Center, 15310 Alondra Blvd., La Mirada, 90638 in classroom #35.					25059	8:00-9:15AM	MW	Ayala,E	SS224
29604	9:30-10:45AM	MW	STAFF	LM35*	23936	8:00-9:15AM	TTh	Aguirre,S	SS224
Note: This class is being held at our satellite campus. La Mirada Center, 15310 Alondra Blvd., La Mirada, 90638 in classroom #35.					27083	11:00-12:15PM	MW	Hoppe-Nagao,A	SS207
29632	3.0 HRS ARR (OL)		Lavariere,C	ONLINE	29251	9:30-10:45AM	TTh	Gonzalez,R	SS224
Mandatory Orientation: Enrolled students will be contacted by the instructor before the first day of class.					COMM 125 - 3.0 UNITS ORGANIZATIONAL COMMUNICATION				
29633	3.0 HRS ARR (OL)		Lavariere,C	ONLINE	Transferable to CSU				
Mandatory Orientation: Enrolled students will be contacted by the instructor before the first day of class.					Recommendation: Suggested completion of at least one of these courses with a grade of "C" or higher or "Pass" or an equivalent course: ENGL 72, or ESL 152, or READ 54, or READ 97, or completion of the English, r ESL or Reading placement/assessment process with eligibility for ENGL 100.				
26984	12:30-2:00PM	TTh	Acosta-Licea,J	SS211	23507	8:00-9:15AM	TTh	Benitez-Whitney,M	SS225
Class# 26984 meets 09/10/2019-12/19/2019					27919	2:30-3:45PM	MW	Curva,A	SS207
27439	8:00-9:30AM	TTh	Journey,J	SS207	COMM 130 - 3.0 UNITS PUBLIC SPEAKING				
Class# 27439 meets 09/10/2019-12/19/2019					Transferable to UC, CSU (CAN SPCH 4)				
29243	9:30-12:35PM	Sat	Nia,H	SS211	Prerequisite: Completion of at least one of these courses with a grade of "C" or higher or "Pass" or an equivalent course:COMM 60,ENGL 52,ENGL72,ESL 152,READ 54,READ 97 or completion of the English or Reading placement/assessment process with eligibility for ENGL 100.				
Class# 29243 meets 08/24/2019-11/23/2019					21866	12:30-1:45PM	MW	Hoppe-Nagao,A	SS207
20887	9:30-12:20PM	M	Carrell,K	(HYBRID) SS211	20584	12:30-1:45PM	TTh	Rosenfeld,K	SS207
A portion of the hours, +3.42 hrs. will be arranged online.					20586	4:00-5:15PM	MW	Salim,F	SS225
Class# 20887 meets 08/19/2019-10/14/2019					21463	7:00-9:50PM	W	Forsythe,C	SS224
24079	9:30-12:20PM	M	Carrell,K	(HYBRID) SS211	23938	2:00-3:15PM	TTh	Matthews,N	SS207
A portion of the hours, +3.42 hrs. will be arranged online.					24619	9:30-12:15PM	W	Rosenfeld,K	SS224
Class# 24079 meets 10/21/2019-12/16/2019					25976	8:00-9:15AM	TTh	Gonzalez,R	SS211
COMM 103 - 3.0 UNITS ARGUMENTATION, PERSUASION, AND CRITICAL THINKING					22411	10:00-12:50PM	F	Montenegro,D	SS207
Transferable to UC, CSU (CAN SPCH 6)					29252	8:00-9:15AM	MW	Sparks Jr.,W	SS225
Prerequisite: Completion of ENGL 100 or equivalent with a grade of Pass or "C" or higher.					23937	2:00-5:30PM	M	Matthews,N	SS224
22149	9:30-10:45AM	MW	Sparks Jr.,W	SS225	Class# 23937 meets 09/09/2019-12/16/2019				
21658	4:00-5:15PM	MW	STAFF	SS306	28407	9:30-11:00AM	TTh	Rosenfeld,K	MCIS21
20590	9:30-10:45AM	TTh	Aguirre,S	SS225	Targeted for Future Teachers but Open to all Students				
26988	12:30-2:00PM	MW	Ayala,E	SS225	Class# 28407 meets 09/10/2019-12/19/2019				
Class# 26988 meets 09/09/2019-12/18/2019					29253	9:30-12:20PM	W	Griffin,A	(HYBRID) SS211
24624	12:30-2:00PM	TTh	Matthews,N	SS225	A portion of the hours, +3.0 hrs. will be arranged online.				
Class# 24624 meets 09/10/2019-12/19/2019					Class# 29253 meets 08/21/2019-10/16/2019				
COMM 110 - 3.0 UNITS INTERCULTURAL COMMUNICATION					29254	9:30-12:20PM	W	Griffin,A	(HYBRID) SS211
Transferable to UC, CSU					A portion of the hours, +3.0 hrs. will be arranged online.				
Prerequisite: Completion of at least one of these courses with a grade of "C" or higher or "Pass" or an equivalent course: SPCH 60, ENGL 52, ESL 152, READ 54, READ 97, or completion of the English or Reading placement process.					Class# 29254 meets 10/23/2019-12/18/2019				
20581	9:30-10:45AM	TTh	Hoppe-Nagao,A	SS207	COMM 132 - 3.0 UNITS SMALL GROUP COMMUNICATION				
25057	2:00-3:30PM	TTh	Toomey,A	SS225	Transferable to UC, CSU (CAN SPCH 10)				
Class# 25057 meets 09/10/2019-12/19/2019					Prerequisite: Completion of at least one of these courses with a grade of "C" or higher or "Pass" or an equivalent course:COMM 60,ENGL 52,ENGL72,ESL 152,READ 54,READ 97 or completion of the English or Reading placement/assessment process with eligibility for ENGL 100.				
25632	6.0 HRS ARR (OL)		Hoppe-Nagao,A	ONLINE	21657	5:30-6:45PM	MW	Salim,F	SS211
Students must log-in to Canvas on or before the first day of class for course information and to complete the orientation quiz.					26315	11:00-12:15PM	TTh	Wagner,H	SS225
Class# 25632 meets 08/19/2019-10/18/2019					COMM 140 - 3.0 UNITS ORAL INTERPRETATION OF LITERATURE				
25633	6.0 HRS ARR (OL)		Hoppe-Nagao,A	ONLINE	Transferable to UC, CSU				
Students must log-in to Canvas on or before the first day of class for course information and to complete the orientation quiz.					Prerequisite: Completion of at least one of these courses with a grade of "C" or higher or "Pass" or an equivalent course:COMM 60,ENGL 52,ENGL72,ESL 152,READ 54,READ 97 or completion of the English or Reading placement/assessment process with eligibility for ENGL 100.				
Class# 25633 meets 10/21/2019-12/20/2019					24622	11:00-12:15PM	TTh	Gonzalez,R	SS224
COMM 115 - 3.0 UNITS GENDER, COMMUNICATION, AND THE DIGITAL REVOLUTION					Students not in attendance or late for the first class are subject to drop.				
Transferable to CSU									
Prerequisite: Completion of at least one of these courses with a grade of "C" or higher or "Pass" or an equivalent course:COMM 60,ENGL 52,ENGL72,ESL 152,READ 54,READ 97 or completion of the English or Reading placement/assessment process with eligibility for ENGL 100.									
29248	9:30-11:00AM	TTh	Rosenfeld,K	SS211	Class# 29248 meets 09/10/2019-12/19/2019				

Class#	Time	Day	Instructor	Room	Class#	Time	Day	Instructor	Room
COMM 200 - 3.0 UNITS CONTEMPORARY COMMUNICATION TOPICS					20670 5:00-8:00PM T Lou,Z (HYBRID) MCIS202				
Transferable to CSU					8:00-9:50PM T Lou,Z (HYBRID) MCIS202				
Recommendation: Suggested completion of at least one of these courses with a grade of "C" or higher or "Pass" or an equivalent course ENGL 72, or ESL 152, or READ 54, or READ 97, or completion of the English, or ESL or Reading assessment/placement process with eligibility for ENGL 100.					Note: A portion of the hours for this class will be online.				
24623	6.0 HRS ARR	(OL)	Rosenfeld,K	ONLINE	27672	3.0 HRS ARR	(OL)	Lou,Z	ONLINE
Students must log-in to Canvas on or before the first day of class for course information.					+ 2.0 HRS ARR (OL) Lou,Z ONLINE				
Class# 24623 meets 10/21/2019-12/20/2019					An on-campus orientation is required for this course. Orientation will meet: 5:00 - 7:00 p.m., Tuesday - August 20 in MCIS202 at Cerritos College.				
COMM 231 - 1.0 UNIT FORENSICS ACTIVITY 1 (COMPETITIVE SPEECH AND DEBATE)					29359 6.0 HRS ARR (OL) STAFF ONLINE				
Transferable to CSU					+ 4.0 HRS ARR (OL) STAFF ONLINE				
27190	1.0 HRS ARR		Matthews,N	SS224	An on-campus orientation is required for this course. Orientation will meet: 6:00 - 8:00 p.m., Friday - August 23 in MCIS 205 at Cerritos College.				
Class will meet Tuesday and Thursday at 4:00-5:30 p.m. in SS224.					Class# 29359 meets 08/19/2019-10/18/2019				
Class# 27190 meets 08/19/2019-12/20/2019					CIS 58B - 3.5 UNITS PC CORE HARDWARE A+ CERTIFICATION				
COMM 232 - 2.0 UNITS FORENSICS ACTIVITY 2 (COMPETITIVE SPEECH AND DEBATE)					Not Transferable				
Transferable to CSU					Recommendation: CIS 101 or CIS 102 or equivalent with a grade of "C" or higher or "Pass" or appropriate work experience.				
27191	2.0 HRS ARR		Matthews,N	SS224	29361	6.0 HRS ARR	(OL)	STAFF	ONLINE
Class will meet Tuesday and Thursday at 4:00-5:30 p.m. in SS224.					+ 4.0 HRS ARR (OL) STAFF ONLINE				
Class# 27191 meets 08/19/2019-12/20/2019					An on-campus orientation is required for this course. Orientation will meet: 6:00 - 8:00 p.m., Friday, Oct. 25 in MCIS 205 at Cerritos College.				
COMM 233 - 3.0 UNITS FORENSICS ACTIVITY 3 (COMPETITIVE SPEECH AND DEBATE)					Class# 29361 meets 10/21/2019-12/20/2019				
Transferable to CSU					CIS 101 - 3.0 UNITS INTRODUCTION TO COMPUTER INFORMATION SYSTEMS				
27192	3.0 HRS ARR		STAFF	SS224	Transferable to UC, CSU (CAN BUS 6)				
Class will meet Tuesday and Thursday at 4:00-5:30 p.m. in SS224.					CIS 101 meets important Computer Literacy Requirements for ALL majors and transfers as a Computer Course Requirement to most 4-year universities in the area.				
Class# 27192 meets 08/19/2019-12/20/2019					20138 9:30-10:45AM MW STAFF MCIS211				

COMPUTER AND INFORMATION SCIENCES



CIS 58A - 3.5 UNITS PC OPERATING SYSTEM A+ CERTIFICATION
 Not Transferable
 Recommendation: CIS 101 or CIS 102 or equivalent with a grade of "C" or higher or "Pass" or appropriate work experience

**To Prepare for the CompTIA A+ Certification
 Take the following courses:**

CIS 102 Intro Microcomp Hdw'r Sfw
 CIS 58A PC Operating System A+ Certification
 CIS 58B PC Core Hardware A+ Certification
 For more information, contact:
 Kenny Lou at klou@cerritos.edu or
 Gene LaZor at glazor@cerritos.edu

20670 5:00-8:00PM T Lou,Z (HYBRID) MCIS202				
8:00-9:50PM T Lou,Z (HYBRID) MCIS202				
Note: A portion of the hours for this class will be online.				
27672	3.0 HRS ARR	(OL)	Lou,Z	ONLINE
+ 2.0 HRS ARR (OL) Lou,Z ONLINE				
An on-campus orientation is required for this course. Orientation will meet: 5:00 - 7:00 p.m., Tuesday - August 20 in MCIS202 at Cerritos College.				
29359	6.0 HRS ARR	(OL)	STAFF	ONLINE
+ 4.0 HRS ARR (OL) STAFF ONLINE				
An on-campus orientation is required for this course. Orientation will meet: 6:00 - 8:00 p.m., Friday - August 23 in MCIS 205 at Cerritos College.				
Class# 29359 meets 08/19/2019-10/18/2019				
CIS 58B - 3.5 UNITS PC CORE HARDWARE A+ CERTIFICATION				
Not Transferable				
Recommendation: CIS 101 or CIS 102 or equivalent with a grade of "C" or higher or "Pass" or appropriate work experience.				
29361	6.0 HRS ARR	(OL)	STAFF	ONLINE
+ 4.0 HRS ARR (OL) STAFF ONLINE				
An on-campus orientation is required for this course. Orientation will meet: 6:00 - 8:00 p.m., Friday, Oct. 25 in MCIS 205 at Cerritos College.				
Class# 29361 meets 10/21/2019-12/20/2019				
CIS 101 - 3.0 UNITS INTRODUCTION TO COMPUTER INFORMATION SYSTEMS				
Transferable to UC, CSU (CAN BUS 6)				
CIS 101 meets important Computer Literacy Requirements for ALL majors and transfers as a Computer Course Requirement to most 4-year universities in the area.				
20138	9:30-10:45AM	MW	STAFF	MCIS211
	11:00-11:50AM	W	STAFF	MCIS208
20141	8:00-9:15AM	TTh	STAFF	MCIS209
	10:00-10:50AM	T	STAFF	MCIS210
23987	3.0 HRS ARR	(OL)	STAFF	ONLINE
+ 1.0 HRS ARR (OL) STAFF ONLINE				
An on-campus orientation is required for this course. Orientation will meet: 6:00 - 8:00 p.m., Friday - August 23 in MCIS 210 at Cerritos College.				
27676	3.0 HRS ARR	(OL)	Lazor,C	ONLINE
+ 1.0 HRS ARR (OL) Lazor,C ONLINE				
An on-campus orientation is required for this course. Orientation will meet: 9:00 - 11:00 a.m., Saturday - August 24 in MCIS208 at Cerritos College.				
20145	6:00-8:50PM	M	STAFF	MCIS207
	9:00-9:50PM	M	STAFF	MCIS208
Note: A portion of the hours for this class will be online.				
20671	9:30-10:45AM	TTh	STAFF	MCIS209
	11:00-11:50AM	T	STAFF	MCIS208
27680	3.0 HRS ARR	(OL)	Nance,W	ONLINE
+ 1.0 HRS ARR (OL) Nance,W ONLINE				
Note: Mandatory Orientation: See website http://www.cerritos.edu/nance for orientation document and quiz due 8/19/19.				
21225	3.0 HRS ARR	(OL)	STAFF	ONLINE
+ 1.0 HRS ARR (OL) STAFF ONLINE				
An on-campus orientation is required for this course. Orientation will meet: 6:00 - 8:00 p.m., Friday - August 23 in MCIS 207 at Cerritos College.				
26877	5:00-7:50PM	W	Lazor,C	MCIS213
	8:00-8:50PM	W	Lazor,C	MCIS213
Note: A portion of the hours for this class will be online.				
28989	3.0 HRS ARR	(OL)	STAFF	ONLINE
+ 1.0 HRS ARR (OL) STAFF ONLINE				
An on-campus orientation is required for this course. Orientation will meet: 6:00 pm - 8:00 p.m., Friday - August 23 in MCIS 208 at Cerritos College.				
26881	3.6 HRS ARR	(OL)	STAFF	ONLINE
+ 1.2 HRS ARR (OL) STAFF ONLINE				
An on-campus orientation is required for this course. Orientation will meet: 6:00 - 8:00 p.m., Friday - Sept.13 in MCIS 208 at Cerritos College.				
Class# 26881 meets 09/09/2019-12/20/2019				
26906	3.6 HRS ARR	(OL)	STAFF	ONLINE
+ 1.2 HRS ARR (OL) STAFF ONLINE				
An on-campus orientation is required for this course. Orientation will meet: 8:00 - 10:00 p.m., Friday - Sept. 13 in MCIS 208 at Cerritos College.				
Class# 26906 meets 09/09/2019-12/20/2019				
20673	6.0 HRS ARR	(OL)	STAFF	ONLINE
+ 2.0 HRS ARR (OL) STAFF ONLINE				
An on-campus orientation is required for this course. Orientation will meet: 8:00 - 10:00 p.m., Friday - August 23 in MCIS 213 at Cerritos College.				
Class# 20673 meets 08/19/2019-10/18/2019				

Students not in attendance or late for the first class are subject to drop.

Class#	Time	Day	Instructor	Room	Class#	Time	Day	Instructor	Room
25378	6.0 HRS ARR + 2.0 HRS ARR	(OL) (OL)	STAFF STAFF	ONLINE ONLINE					
An on-campus orientation is required for this course. Orientation will meet: 6:00 - 8:00 p.m., Friday - Oct.25 in MCIS 207 at Cerritos College. Class# 25378 meets 10/21/2019-12/20/2019									
26788	6.0 HRS ARR + 2.0 HRS ARR	(OL) (OL)	STAFF STAFF	ONLINE ONLINE					
An on-campus orientation is required for this course. Orientation will meet: 8:00 - 10:00 p.m., Oct 25 in MCIS 213 at Cerritos College. Class# 26788 meets 10/21/2019-12/20/2019									
22332	6.0 HRS ARR + 2.0 HRS ARR	(OL) (OL)	STAFF STAFF	ONLINE ONLINE					
An on-campus orientation is required for this course. Orientation will meet: 8:00 - 10:00 p.m., Friday - Oct. 25 in MCIS 208 at Cerritos College. Class# 22332 meets 10/21/2019-12/20/2019									
22694	6.0 HRS ARR + 2.0 HRS ARR	(OL) (OL)	STAFF STAFF	ONLINE ONLINE					
An on-campus orientation is required for this course. Orientation will meet: 6:00 - 8:00 p.m., Friday - Oct. 25 in MCIS 208 at Cerritos College. Class# 22694 meets 10/21/2019-12/20/2019									
23989	6.0 HRS ARR + 2.0 HRS ARR	(OL) (OL)	STAFF STAFF	ONLINE ONLINE					
An on-campus orientation is required for this course. Orientation will meet: 6:00 - 8:00 p.m., Friday - Oct. 25 in MCIS 210 at Cerritos College. Class# 23989 meets 10/21/2019-12/20/2019									
25188	6.0 HRS ARR + 2.0 HRS ARR	(OL) (OL)	STAFF STAFF	ONLINE ONLINE					
An on-campus orientation is required for this course. Orientation will meet: 8:00 - 10:00 p.m., Friday - Oct.25 in MCIS 210 at Cerritos College. Class# 25188 meets 10/21/2019-12/20/2019									
CIS 102 - 3.0 UNITS INTRODUCTION TO MICROCOMPUTER HARDWARE AND APPLICATIONS SOFT Transferable to UC, CSU									
20674	3.0 HRS ARR + 2.0 HRS ARR	(OL) (OL)	Nance,W Nance,W	ONLINE ONLINE					
Note: Mandatory Orientation: See website http://www.cerritos.edu/nance for orientation document and quiz due 8/19/19.									
CIS 103 - 3.5 UNITS COMPUTER PROGRAMMING LOGIC Transferable to UC, CSU Recommendation: Concurrent enrollment in or completion of CIS 101 or CIS 102 or equivalent with a grade of "C" or higher or "Pass". CIS 103 meet the Computer Logic requirements for students in a wide selection of majors including Computer Science, Math, Engineering, Business, and many of the Social Sciences.									
24104	3.0 HRS ARR + 2.0 HRS ARR	(OL) (OL)	Nguyen,P Nguyen,P	ONLINE ONLINE					
An on-campus orientation is required for this course. Orientation will meet: 5:00 - 7:00 p.m., Friday - August 23 in MCIS 206 at Cerritos College. Two examinations and final are taken on campus.									
20147	7:00-9:50PM 5:00-6:50PM	Th Th	Nguyen,P Nguyen,P	(HYBRID) (HYBRID)	MCIS211 MCIS213				
Note: A portion of the hours for this class will be online.									
20676	3.0 HRS ARR + 2.0 HRS ARR	(OL) (OL)	Nguyen,P Nguyen,P	ONLINE ONLINE					
An on-campus orientation is required for this course. Orientation will meet: 7:00 - 8:00 p.m., August 23 in MCIS 206 at Cerritos College. Two examinations and final are taken on campus.									
21227	1:00-3:50PM 1:00-2:50PM	T Th	Mellas,D STAFF	(HYBRID) (HYBRID)	MCIS209 MCIS208				
Note: A portion of the hours for this class will be online.									
27962	5:00-8:00PM 8:00-9:50PM	T T	STAFF STAFF	(HYBRID) (HYBRID)	MCIS204 MCIS204				
Note: A portion of the hours for this class will be online.									
25183	3.6 HRS ARR + 2.4 HRS ARR	(OL) (OL)	STAFF STAFF	ONLINE ONLINE					
An on-campus orientation is required for this course. Orientation will meet: 5:00 - 7:00 p.m., Friday - Sept. 13 in MCIS 210 at Cerritos College. Class# 25183 meets 09/09/2019-12/20/2019									
CIS 151 - 3.5 UNITS MICROSOFT EXCEL FOR INFORMATION SYSTEMS/INFORMATION TECHNOLO Transferable to CSU									
28997	3.6 HRS ARR + 2.4 HRS ARR	(OL) (OL)	STAFF STAFF	ONLINE ONLINE					
An on-campus orientation is required for this course. Orientation will meet: 5:00 - 7:00 p.m., Friday - Sept. 13 in MCIS 111 at Cerritos College. Class# 28997 meets 09/09/2019-12/20/2019									
CIS 155 - 3.0 UNITS MICROSOFT ACCESS Transferable to CSU Recommendation: CIS 102 or equivalent with a grade of Pass or "C" or higher.									
26885	3.0 HRS ARR + 2.0 HRS ARR	(OL) (OL)	STAFF STAFF	ONLINE ONLINE					
An on-campus orientation is required for this course. Orientation will meet: 5:00 - 7:00 p.m., August 19 in MCIS 208 at Cerritos College.									
26887	7:00-9:50PM 5:00-6:50PM	M M	STAFF STAFF	(HYBRID) (HYBRID)	MCIS213 MCIS208				
Note: A portion of the hours for this class will be online.									
CIS 160 - 3.5 UNITS WEB PAGE DEVELOPMENT Transferable to CSU This course involves web page development with interactive graphics, animation, and sound using HTML, DSS, Dreamweaver, and Flash for personal and commercial use. For more information contact: Phuong Nguyen, email: pnguyen@cerritos.edu									
26889	7:00-9:50PM 5:00-6:50PM	Th Th	STAFF STAFF	(HYBRID) (HYBRID)	MCIS210 MCIS210				
Note: A portion of the hours for this class will be online.									
26363	3.0 HRS ARR + 2.0 HRS ARR	(OL) (OL)	STAFF STAFF	ONLINE ONLINE					
An on-campus orientation is required for this course. Orientation will meet: 5:00 - 7:00 p.m., Thursday - August 22 in MCIS 210 at Cerritos College.									
CIS 162 - 3.5 UNITS HTML AND CSS Transferable to CSU Recommendation: CIS 101 or CIS 102 or equivalent with a grade of "C" or higher or "Pass".									
24321	3.0 HRS ARR + 2.0 HRS ARR	(OL) (OL)	Lazor,C Lazor,C	ONLINE ONLINE					
An on-campus orientation is required for this course. Orientation will meet: 5:00 pm - 7:00 p.m., Tuesday - August 20 in MCIS 205 at Cerritos College.									
26891	5:00-7:50PM 8:00-9:50PM	T T	Lazor,C Lazor,C	(HYBRID) (HYBRID)	MCIS205 MCIS205				
Note: A portion of the hours for this class will be online.									
CIS 170A - 3.5 UNITS NETWORKING FUNDAMENTALS Transferable to CSU									
24307	6.0 HRS ARR + 4.0 HRS ARR	(OL) (OL)	Lou,Z Lou,Z	ONLINE ONLINE					
Note: Mandatory Orientation: See website http://www.cerritos.edu/klou or email to klou@cerritos.edu for orientation instructions. Class# 24307 meets 08/19/2019-10/18/2019									
CIS 170B - 3.5 UNITS NETWORK + CERTIFICATION Transferable to CSU									
24311	3.6 HRS ARR + 2.4 HRS ARR	(OL) (OL)	Lou,Z Lou,Z	ONLINE ONLINE					
Note: Mandatory Orientation: See website http://www.cerritos.edu/klou or email to klou@cerritos.edu for orientation instructions. Class# 24311 meets 08/19/2019-11/29/2019									
CIS 170E - 3.5 UNITS ROUTER CONFIGURATIONS AND PROTOCOL Transferable to CSU Prerequisite: CIS 170A (formerly CIS 70A) or equivalent with a grade of "C" or higher or "Pass" or appropriate work experience.									
24313	5:00-8:00PM 8:00-9:50PM	W W	STAFF STAFF	(HYBRID) (HYBRID)	MCIS205 MCIS205				
Note: A portion of the hours for this class will be online.									
CIS 170F - 3.5 UNITS ADVANCED SWITCHING AND ROUTING Transferable to CSU Prerequisite: CIS 170E (formerly CIS 70E) or equivalent with a grade of "C" or higher or "Pass" or appropriate work experience.									
24315	3.0 HRS ARR + 2.0 HRS ARR	(OL) (OL)	STAFF STAFF	ONLINE ONLINE					
A Cerritos on-campus orientation is required for this course. Orientation will meet: 5:00 - 7:00 p.m., Weds. - August 21 in MCIS 205.									
CIS 170G - 3.5 UNITS WIDE AREA NETWORKS Transferable to CSU Prerequisite: CIS 170E (formerly CIS 70E) or equivalent with a grade of "C" or higher or "Pass" or appropriate work experience.									
24317	3.0 HRS ARR + 2.0 HRS ARR	(OL) (OL)	STAFF STAFF	ONLINE ONLINE					
An on-campus orientation is required for this course. Orientation will meet: 5:00 - 7:00 p.m., Weds. - August 21 in MCIS 205 at Cerritos College.									

Students not in attendance or late for the first class are subject to drop.

Class#	Time	Day	Instructor	Room	Class#	Time	Day	Instructor	Room
CIS 170H - 3.0 UNITS TCP/IP FUNDAMENTALS Transferable to CSU Recommendation: A knowledge of Web browser and e-mail applications. 26367 6.0 HRS ARR (OL) Lou,Z ONLINE Note: Mandatory Orientation: See website http://www.cerritos.edu/klou or email to klou@cerritos.edu for orientation instructions. Class# 26367 meets 10/21/2019-12/20/2019					CIS 213F - 3.5 UNITS MICROSOFT WINDOWS SERVER ADMINISTRATION Transferable to CSU 28737 3.6 HRS ARR (OL) STAFF ONLINE + 2.4 HRS ARR (OL) STAFF ONLINE An on-campus orientation is required for this course. Orientation will meet: 7:00 - 9:00 p.m., Friday - Sept. 13 in MCIS 202 at Cerritos College. Class# 28737 meets 09/09/2019-12/20/2019				
CIS 170I - 3.5 UNITS CISCO NETWORK SECURITY Transferable to CSU Recommendation: A knowledge of Cisco Internet Operating Systems (IOS) or appropriate work experience. 29001 3.6 HRS ARR (OL) STAFF ONLINE + 2.4 HRS ARR (OL) STAFF ONLINE An on-campus orientation is required for this course. Orientation will meet: 5:00 - 7:00 p.m., Friday - Sept. 13 in MCIS 202 at Cerritos College. Class# 29001 meets 09/09/2019-12/20/2019					CIS 214 - 3.0 UNITS UNIX AND LINUX OPERATING SYSTEMS Transferable to CSU Recommendation: Knowledge of one operating system. CIS 214 now includes all of the material for Linux operating system studies. Students will learn to use the powerful utilities and applications of UNIX and the free, open source Linux operating system. For more information contact: Dean Mellas, email: dmellas@cerritos.edu 20679 5:00-7:50PM Th Mellas,D MCIS209 8:00-9:50PM Th Mellas,D MCIS208				
CIS 170L - 3.5 UNITS CYBERSECURITY FUNDAMENTALS Transferable to CSU 24305 3.0 HRS ARR (OL) Lou,Z ONLINE + 2.0 HRS ARR (OL) Lou,Z ONLINE Note: Mandatory Orientation: See website http://www.cerritos.edu/klou or email to klou@cerritos.edu for orientation instructions.					CIS 280X - 3.5 UNITS OBJECT-ORIENTED PROGRAMMING IN C++ Transferable to CSU Recommendation: Strongly recommend CIS 180 or equivalent with a grade of Pass or "C" or higher. 29003 7:00-9:50PM F STAFF MCIS211 5:00-6:50PM F STAFF MCIS213				
CIS 180 - 3.0 UNITS PROGRAMMING IN C/C++ Transferable to UC, CSU Prerequisite: CIS 103 or equivalent with a grade of "C" or higher or "Pass." CIS 180 is important for most Computer Science majors and is required for many Math majors for transfer to Universities. C++ is still the programming language of choice for many large corporations. 21448 5:00-7:50PM T Nguyen,P (HYBRID) MCIS211 8:00-9:50PM T Nguyen,P (HYBRID) MCIS213 Note: A portion of the hours for this class will be online.					CIS 288 - 3.5 UNITS MOBILE APPLICATION DEVELOPMENT Transferable to CSU Recommendation: Knowledge of one object-oriented programming language (such as C++, Java, or C#) or related work experience. 24331 3.0 HRS ARR (OL) STAFF ONLINE + 2.0 HRS ARR (OL) STAFF ONLINE An on-campus orientation is required for this course. Orientation will meet: 5:00 - 7:00 p.m., Monday - August 19 in MCIS 206 at Cerritos College. Two examinations and final are taken on campus. 26901 7:00-9:50PM M STAFF (HYBRID) MCIS206 5:00-6:50PM M STAFF (HYBRID) MCIS206 Note: A portion of the hours for this class will be online.				
CIS 183 - 3.0 UNITS JAVA PROGRAMMING Transferable to CSU Prerequisite: CIS 103 or equivalent with a grade of "C" or higher or "Pass." CIS 183 is required for all Computer Science majors for transfer to Universities. 25716 5:00-8:00PM W STAFF MCIS204 8:00-9:50PM W STAFF MCIS204 Note: A portion of the hours for this class will be online.					CIS 292 - 3.0 UNITS DATA STRUCTURES Transferable to UC, CSU Prerequisite: CIS 183 or CIS 280X or equivalent of either course with a grade of "C" or higher or "Pass" or appropriate work experience. 27686 5:00-7:50PM W Mellas,D MCIS209 28280 5:00-7:50PM M Mellas,D MCIS209				
25718 5:00-7:50PM T Mellas,D MCIS209 8:00-9:50PM T Mellas,D MCIS208 25720 3.0 HRS ARR (OL) STAFF ONLINE + 2.0 HRS ARR (OL) STAFF ONLINE An on-campus orientation is required for this course. Orientation will meet: 7:00 - 9:00 p.m., Friday - August 23 in MCIS 209 at Cerritos College.					COSMETOLOGY				
CIS 185 - 3.0 UNITS DISCRETE STRUCTURES Transferable to UC, CSU Prerequisite: CIS 183 or equivalent with a grade of "C" or higher or "Pass." 26365 5:00-8:00PM Th Nguyen,P MCIS207 8:00-9:50PM Th Nguyen,P MCIS207 Note: A portion of the hours for this class will be online.					COS 53 - 6.5 UNITS ADVANCED COSMETOLOGY MANIPULATION Not Transferable Prerequisite: COS 52C or COS 62B or 70C or COS 73B with a grade of Pass or "C" or higher. Please read the technical standards relevant to this department at http://cms.cerritos.edu/technology/standards.htm 27128 8:00-10:12AM WThF Nguyen,T HS203 10:12-4:25PM WThF Nguyen,T HS203 Class# 27128 meets 08/19/2019-10/18/2019				
CIS 201 - 3.0 UNITS SYSTEMS ANALYSIS AND DESIGN Transferable to CSU 21750 3.0 HRS ARR (OL) STAFF ONLINE + 1.0 HRS ARR (OL) STAFF ONLINE An on-campus orientation is required for this course. Orientation will meet: 5:00 - 7:00 p.m., Weds. - 08/21/19 in MCIS 211 at Cerritos College.					COS 54 - 10.0 UNITS INTRODUCTORY ESTHETICIAN Not Transferable Prerequisite: ENGL 100 or ENGL 100S or equivalent with a grade of "C" or higher or "Pass" and READ 54 or READ 97 or equivalent with a grade of "C" or higher or "Pass" or completion of the Reading placement process with eligibility for "Reading Exempt." NOTE: a material fee of \$875.00 is required for COS 54 24231 8:00-10:02AM MT Petrova,R HS201 8:00-10:02AM W Petrova,R PST236 10:02-1:50PM MT Petrova,R HS201 10:02-1:50PM W Petrova,R PST236				
26899 5:00-7:50PM W STAFF (HYBRID) MCIS211 8:00-8:50PM W STAFF (HYBRID) MCIS210 Note: A portion of the hours for this class will be online.					COS 54A - 10.0 UNITS ADVANCED ESTHETICIAN Not Transferable Prerequisite: COS 54 or equivalent with a grade of Pass or "C" or higher. 27607 8:00-10:05AM WThF Ramirez-Han,J HS201 10:05-2:10PM WThF Ramirez-Han,J HS201 Class# 27607 meets 08/19/2019-11/29/2019				
CIS 212 - 3.5 UNITS INTRODUCTION TO MICROSOFT WINDOWS ADMINISTRATION Transferable to CSU Recommendation: CIS 58A or equivalent with a grade of "C" or higher or "Pass." 28282 3.6 HRS ARR (OL) STAFF ONLINE + 2.4 HRS ARR (OL) STAFF ONLINE An on-campus orientation is required for this course. Orientation will meet: 7:00 - 9:00 p.m., Friday - Sept. 13 in MCIS 202 at Cerritos College. Class# 28282 meets 09/09/2019-12/20/2019									

Students not in attendance or late for the first class are subject to drop.

Class#	Time	Day	Instructor	Room	Class#	Time	Day	Instructor	Room
COS 55 - 6.5 UNITS ESTHETICS CROSSOVER					23687	11:00-12:15PM	T	Valenzuela,R	(EOPS) AD117
Not Transferable					Class# 23687 meets 11/12/2019-12/17/2019				
Prerequisite: ENGL 100 or ENGL 100S or equivalent; and COS 61B; and READ 54 or READ 97 or equivalent with a grade of "C" or higher or "Pass" or a cosmetology license or proof of completion of a cosmetology program.					27964	12:00-12:50PM	T	STAFF	(Athletes) MP211
29259	8:00-10:20AM	MTW	STAFF	HS203	Class# 27964 meets 08/20/2019-10/15/2019				
	10:20-5:05PM	MTW	STAFF	HS203	27965	1:00-1:50PM	T	STAFF	(Athletes) SL109
Class# 29259 meets 10/21/2019-12/20/2019					Class# 27965 meets 08/20/2019-10/15/2019				
COS 60A - 10.0 UNITS INTRODUCTORY COSMETOLOGY I					27966	5:00-5:50PM	T	STAFF	(Athletes) MC103
Not Transferable					Class# 27966 meets 08/20/2019-10/15/2019				
Prerequisite: ENGL 100 or ENGL 100S or equivalent with a grade of "C" or higher or "Pass" and READ 54 or READ 97 or equivalent with a grade of "C" or higher or "Pass" or completion of the Reading placement process with eligibility for "Reading Exempt."					27967	1:00-1:50PM	T	Fisher,C	(Athletes) MC101
NOTE: a material fee of **** ** is required for COS 60A					Class# 27967 meets 08/20/2019-10/15/2019				
22217	8:00-10:02AM	MTWThF	Motruk,N	HS205	27968	12:00-12:50PM	T	Walsh,M	(Athletes) LA104
	10:02-3:50PM	MTWThF	Motruk,N	HS205	Class# 27968 meets 08/20/2019-10/15/2019				
Class# 22217 meets 08/19/2019-10/18/2019					27969	1:00-1:50PM	T	Walsh,M	(Athletes) LC217
COS 60B - 10.0 UNITS INTRODUCTORY COSMETOLOGY II					27971	5:00-5:50PM	T	Fisher,C	(Athletes) MP211
Not Transferable					Class# 27971 meets 08/20/2019-10/15/2019				
Prerequisite: COS 60A or COS 71A with a grade of Pass or "C" or higher.					27972	12:00-12:50PM	W	STAFF	(Athletes) MC101
22219	8:00-10:08AM	MTWThF	Motruk,N	HS205	Class# 27972 meets 08/21/2019-10/16/2019				
	10:08-4:20PM	MTWThF	Motruk,N	HS205	COUN 101C - 1.0 UNIT NAVIGATING THE TRANSFER PROCESS				
Class# 22219 meets 10/21/2019-12/20/2019					Transferable to CSU				
COS 61A - 10.0 UNITS INTERMEDIATE COSMETOLOGY I					29419	1:00-2:50PM	Th	Lundeen,B	HS104
Not Transferable					Class# 29419 meets 08/20/2019-10/15/2019				
Prerequisite: COS 50C or 60B or 70A or 71B with a grade of Pass or "C" or higher.					29420	1:00-2:50PM	T	Franco Jr.,R	LC217
22221	8:00-10:02AM	MTWThF	Smith,F	HS204	Class# 29420 meets 10/22/2019-12/17/2019				
	10:02-3:50PM	MTWThF	Smith,F	HS204	COUN 150 - 3.0 UNITS DYNAMICS OF LEADERSHIP				
Class# 22221 meets 08/19/2019-10/18/2019					Transferable to CSU				
COS 61B - 10.0 UNITS INTERMEDIATE COSMETOLOGY II					Recommendation: Satisfactory completion of the English Placement Process or ENGL 52 or equivalent with a grade of Pass or "C" or higher and participation in a college or community-based organization or club.				
Not Transferable					29421	11:00-12:15PM	MW	Hurtado,H	AD117
Prerequisite: COS 61A or COS 72A with a grade of Pass or "C" or higher.					COUN 200 - 3.0 UNITS SUCCESS IN COLLEGE AND CAREER				
22223	8:00-10:08AM	MTWThF	Smith,F	HS204	Transferable to UC, CSU				
	10:08-4:20PM	MTWThF	Smith,F	HS204	Recommendation: Completion of ENGL 20 or equivalent with a grade of "C" or higher or "Pass" or completion of the English Placement Process with eligibility for ENGL 52, ENGL 72, and ESL 152.				
Class# 22223 meets 10/21/2019-12/20/2019					NOTE: a material fee of \$28.00 is required for COUN 200				
COS 62A - 10.0 UNITS ADVANCED COSMETOLOGY I					20133	2:00-4:50PM	M	Gallardo,B	MC104
Not Transferable					26201	9:30-10:45AM	MW	Mahoney,M	MP207
Prerequisite: COS 51C or COS 61B or COS 70B or COS 72B with a grade of Pass or "C" or higher.					This COUN 200 class is part of the FYE Business House Learning Community, which includes BA 100 #21250, ENGL 100 #25967, MATH 114 #22806, and MATH 5 #29021. To enroll in the learning community, please complete this contract http://cms.cerritos.edu/lcp/FYE_Contract_Page.htm .				
22225	8:00-10:02AM	MTWThF	Smith,F	HS204	22518	9:30-10:45AM	TTh	Aguayo,R	MP205
	10:02-3:50PM	MTWThF	Smith,F	HS204	This COUN 200 class is part of the FYE Health Occupations House Learning Community, which includes ENGL 100 #20205, MATH 112 #20340, MATH 5 #29063, and SOC 101 #20550. To enroll in the learning community, please complete this contract http://cms.cerritos.edu/lcp/FYE_Contract_Page.htm .				
Class# 22225 meets 08/19/2019-10/18/2019					22633	11:00-12:15PM	MW	Castro,R	MP205
COS 62B - 10.0 UNITS ADVANCED COSMETOLOGY II					22519	12:30-1:45PM	TTh	Romero,G	(PUENTE) BE117
Not Transferable					This COUN 200 class is part of the Puente Learning Community, which includes ENGL 100 #27888 and ENGL 5L #27801. For additional information on PUENTE, please contact the program counselor Gustavo Romero at gromero@cerritos.edu .				
Prerequisite: COS 62A or COS 73A with a grade of Pass or "C" or higher.					21233	3:00-5:50PM	W	Quilizapa,C	MP205
22227	8:00-10:08AM	MTWThF	Smith,F	HS204	22047	1:00-3:50PM	F	Carrillo,R	MP205
	10:08-4:20PM	MTWThF	Smith,F	HS204	25579	1:00-2:15PM	TTh	Hill,S	MP205
Class# 22227 meets 10/21/2019-12/20/2019					This COUN 200 class is part of the UMOJA Learning Community, which includes ENGL 100 #27896 and ENGL 5L #27809. For additional information on UMOJA, please complete this interest form https://forms.gle/8UFQq2SDnMJrLF6v7 and UMOJA will contact you.				
COUNSELING					25032	5:00-7:50PM	M	Bello,F	MP205
COUN 10 - 1.0 UNIT CAREER PLANNING					26431	1:00-2:15PM	TTh	Aslanyan,K	(EOPS) BE120
Not Transferable					26347	3.0 HRS ARR	(OL)	STAFF	ONLINE
NOTE: a material fee of \$28.00 is required for COUN 10					26348	11:00-12:15PM	MW	Aguilar,M	(LINC) HS103
29069	2:00-3:50PM	T	Lee,R	BE106	22306	6.0 HRS ARR	(OL)	Hoyle,S	ONLINE
Class# 29069 meets 10/22/2019-12/17/2019					Class# 22306 meets 08/19/2019-10/18/2019				
COUN 101A - 0.5 UNIT ORIENTATION TO COLLEGE					25033	6.0 HRS ARR	(OL)	STAFF	ONLINE
Transferable to CSU					Class# 25033 meets 10/21/2019-12/20/2019				
29277	9:30-10:45AM	W	Hernandez-Garcia,N	MP205	COUN 101B - 0.5 UNIT EDUCATIONAL PLANNING				
Class# 29277 meets 10/02/2019-11/06/2019					Transferable to CSU				
23681	5:00-6:15PM	Th	Wang,L	MP101	29278	12:30-1:45PM	T	Gambala,M	SL108
Class# 23681 meets 10/03/2019-11/07/2019					Class# 29278 meets 08/20/2019-09/24/2019				
COUN 101B - 0.5 UNIT EDUCATIONAL PLANNING					23685	11:00-12:15PM	T	Valenzuela,R	(EOPS) AD117
Transferable to CSU					Class# 23685 meets 10/01/2019-11/05/2019				
29278	12:30-1:45PM	T	Gambala,M	SL108	Students not in attendance or late for the first class are subject to drop.				
Class# 29278 meets 08/20/2019-09/24/2019					51				
23685	11:00-12:15PM	T	Valenzuela,R	(EOPS) AD117					
Class# 23685 meets 10/01/2019-11/05/2019									

Class#	Time	Day	Instructor	Room	Class#	Time	Day	Instructor	Room
CULINARY ARTS									
CA 55 - 1.0 UNIT FUNDAMENTALS OF RESPONSIBLE ALCOHOL SERVICE									
Not Transferable									
25517	2:00-3:50PM	T	Aiton,A	CB102					
Class# 25517 meets 08/20/2019-10/15/2019									
CA 98 - Directed Studies									
29070	3.0 HRS ARR		Lopez, J						
CA 101 - 1.0 UNIT INTRODUCTION TO FOOD SERVICE, SAFETY, AND SANITATION									
Transferable to CSU									
20890	2:00-3:50PM	T	Yu,J	CB104					
Class# 20890 meets 08/20/2019-10/15/2019									
20900	2:00-3:50PM	T	Yu,J	CB104					
Class# 20900 meets 10/22/2019-12/17/2019									
CA 120 - 3.0 UNITS INTRODUCTION TO THE HOSPITALITY INDUSTRY									
Transferable to CSU									
24705	3:00-5:50PM	M	Lew,E	CB102					
CA 180 - 4.0 UNITS INTRODUCTION TO BAKING SKILLS									
Transferable to CSU									
Corequisite: CA 101 or equivalent with a grade of "C" or higher or "Pass" or prior completion.									
NOTE: a material fee of \$50.00 is required for CA 180									
24181	2:00-3:50PM	Th	Yu,J	CB104					
PLEASE ENROLL IN LAB SECTION OF YOUR CHOICE. THE LECTURE SECTION #24181 WILL BE AUTOMATICALLY ADDED.									
24182	4:00-9:50PM	Th	Yu,J	CB104					
25509	4:00-9:50PM	Th	Nicolas,E	CB103					
CA 181 - 5.0 UNITS PROFESSIONAL BAKING AND PASTRY PRODUCTION I									
Transferable to CSU									
Prerequisite: CA 101 and CA 180 or equivalent with grades of "C" or higher or "Pass."									
NOTE: a material fee of \$50.00 is required for CA 181									
24183	4:00-5:30PM	MW	Lopez,J	CB104					
PLEASE ENROLL IN LAB SECTION OF YOUR CHOICE. THE LECTURE SECTION #24183 WILL BE AUTOMATICALLY ADDED.									
24184	5:30-8:45PM	MW	Lopez,J	CB104					
27691	5:30-8:45PM	MW	Nicolas,E	CB103					
CA 182 - 5.0 UNITS PROFESSIONAL BAKING AND PASTRY PRODUCTION II									
Transferable to CSU									
Prerequisite: CA 181 or equivalent with a grade of "C" or higher or "Pass."									
NOTE: a material fee of \$50.00 is required for CA 182									
24185	4:00-5:30PM	MW	Aiton,A	CB101					
	5:30-8:45PM	MW	Aiton,A	CB101					
CA 230 - 3.0 UNITS PROFESSIONAL HEALTHY COOKING									
Transferable to CSU									
24706	2:00-4:50PM	T	Pierini,M	CB101					
CA 250 - 7.0 UNITS PROFESSIONAL COOKING I									
Transferable to CSU									
Corequisite: CA 101 or prior completion or equivalent with a grade of "C" or higher or "Pass."									
Recommendation: Completion of ENGL 52, or ENGL 72, or ESL 152, or equivalent with a grade of "C" or higher or "Pass" or completion of the placement process with eligibility for ENGL 100.									
NOTE: a material fee of \$50.00 is required for CA 250									
24187	10:00-12:00PM	TW	Lopez,J	CB104					
	12:00-1:50PM	M	Lopez,J	CB104					
	12:00-1:50PM	TW	Lopez,J	CB104					
CA 251 - 8.0 UNITS PROFESSIONAL COOKING II									
Transferable to CSU									
Prerequisite: CA 152 or CA 250 or equivalent with a grade of "C" or higher or "Pass" and CA 101 or equivalent with a grade of "C" or higher or "Pass."									
Recommendation: CA 230 or equivalent with a grade of "C" or higher or "Pass."									
NOTE: a material fee of \$75.00 is required for CA 251									
24189	9:00-9:50AM	TWTh	Lew,E	CB102					
	9:00-1:15PM	M	Lew,E	CB102					
	10:00-1:15PM	TWTh	Lew,E	CB102					
CA 252 - 8.0 UNITS PROFESSIONAL COOKING III									
Transferable to CSU									
Prerequisite: CA 153 or CA 251 or equivalent with a grade of "C" or higher or "Pass."									
Recommendation: CA 230 or equivalent with a grade of "C" or higher or "Pass" and completion of ENGL 52, or ENGL 72, or ESL 152, or equivalent with a grade of "C" or higher or "Pass" or completion of the placement process with eligibility for ENGL 100.									
NOTE: a material fee of \$75.00 is required for CA 252									
24191	9:00-9:50AM	TWTh	Pierini,M	CB101					
	9:00-1:15PM	M	Pierini,M	CB101					
	10:00-1:15PM	TWTh	Pierini,M	CB101					
CA 260 - 3.0 UNITS FOODS PURCHASE AND CONTROL									
Transferable to CSU									
24193	4:00-6:50PM	T	Lew,E	CB102					
DANCE									
DANCE CONCERT AUDITIONS									
Saturday, AUGUST 24 @ 10:30 a.m. in the Dance Studio DS 115. Dance Concert participants are required to enroll in DANC 150/151									
Concert Dates: To be announced									
(For more information contact Rebekah Hathaway, Ext. or Email instructor at rhathaway@cerritos.edu).									
DANC 50 - 1.0 UNIT INDIVIDUALIZED DANCE DEVELOPMENT									
Not Transferable									
27702	2:00-4:00PM	F	Gregory,C	DS101					
DANC 100 - 3.0 UNITS DANCE APPRECIATION									
Transferable to UC, CSU									
24020	10:00-11:15AM	MW	Roman-Rodriguez,D	HS104					
21800	3.0 HRS ARR	(OL)	Berney,D	ONLINE					
Mandatory first meeting: 9:30am a.m., Saturday - August 24 in k 201									
24484	9:30-10:45AM	TTh	Hendrix,J	K 201					
27084	12:30-1:45PM	TTh	Bitong,L	K 201					
22679	6.0 HRS ARR	(OL)	Hathaway,R	ONLINE					
Note: Online registered students must go to the Canvas class webpage for mandatory online orientation information.									
Class# 22679 meets 08/19/2019-10/18/2019									
27555	6.0 HRS ARR	(OL)	Gregory,C	ONLINE					
Note: Online registered students must go to the Canvas class webpage for mandatory online orientation information.									
Class# 27555 meets 08/19/2019-10/18/2019									
28158	6.0 HRS ARR	(OL)	Gregory,C	ONLINE					
Note: Online registered students must go to the Canvas class webpage for mandatory online orientation information.									
Class# 28158 meets 08/19/2019-10/18/2019									
28735	6.0 HRS ARR	(OL)	Hathaway,R	ONLINE					
Note: Online registered students must go to the Canvas class webpage for mandatory online orientation information.									
Class# 28735 meets 08/19/2019-10/18/2019									
22083	6.0 HRS ARR	(OL)	Hathaway,R	ONLINE					
Class# 22083 meets 10/21/2019-12/20/2019									
26742	6.0 HRS ARR	(OL)	Gregory,C	ONLINE					
Note: Online registered students must go to the Canvas class webpage for mandatory online orientation information.									
Class# 26742 meets 10/21/2019-12/20/2019									
28682	6.0 HRS ARR	(OL)	Gregory,C	ONLINE					
Note: Online registered students must go to the Canvas class webpage for mandatory online orientation information.									
Class# 28682 meets 10/21/2019-12/20/2019									
28924	6.0 HRS ARR	(OL)	Hathaway,R	ONLINE					
Note: Online registered students must go to the Canvas class webpage for mandatory online orientation information.									
Class# 28924 meets 10/21/2019-12/20/2019									
DANC 101 - 3.0 UNITS HISTORY OF DANCE									
Transferable to UC, CSU									
24485	9:00-11:50AM	F	Hendrix,J	K 201					
27703	3.0 HRS ARR	(OL)	Berney,D	ONLINE					
Mandatory first meeting: 9:30am a.m., Saturday - August 24 in k 201									

Students not in attendance or late for the first class are subject to drop.

Class#	Time	Day	Instructor	Room	Class#	Time	Day	Instructor	Room
DANC 105 - 3.0 UNITS INTRODUCTION TO DANCE MOVEMENT					DANC 124 - 2.0 UNITS HIP HOP DANCE I				
Transferable to UC, CSU					Transferable to UC, CSU				
21802	9:00-9:30AM	TTh	Gregory,C	DS101	22363	6:00-6:30PM	MW	Jones,M	DS102
	9:00-9:50AM	F	STAFF	DS101		6:30-7:50PM	MW	Jones,M	DS102
	9:30-11:20AM	TTh	Bitong,L	DS101	24486	10:00-11:00AM	F	Cabag,V	DS102
DANC 106A - 2.0 UNITS BEGINNING BALLET					11:00-1:50PM F Cabag,V DS102				
Transferable to UC, CSU					26476 4:30-5:00PM TTh Bitong,L DS102				
27986	6:30-7:00PM	TTh	Cole,P	DS101	5:00-6:20PM TTh Bitong,L DS102				
	7:00-8:20PM	TTh	Cole,P	DS101	DANC 125 - 2.0 UNITS INTRODUCTION TO BALLROOM DANCE				
26229	2:00-2:30PM	MW	Berney,D	DS101	Transferable to UC, CSU				
	2:30-3:50PM	MW	Berney,D	DS101	29289	4:00-4:30PM	MW	Rosa,S	BE110
22361	10:00-11:10AM	Sat	Cole,P	DS101		4:30-5:50PM	MW	Rosa,S	BE106
	11:10-2:35PM	Sat	Cole,P	DS101	DANC 126 - 2.0 UNITS HIP HOP DANCE II				
Class# 22361 meets 08/24/2019-12/14/2019					Transferable to UC, CSU				
DANC 106B - 2.0 UNITS INTERMEDIATE BALLET					27085 6:00-6:30PM MW Jones,M DS102				
Transferable to UC, CSU					6:30-7:50PM MW Jones,M DS102				
27988	6:30-7:00PM	TTh	Cole,P	DS101	27087	4:30-5:00PM	TTh	Bitong,L	DS102
	7:00-8:20PM	TTh	Cole,P	DS101		5:00-6:20PM	TTh	Bitong,L	DS102
26233	2:00-2:30PM	MW	Berney,D	DS101	DANC 130A - 2.0 UNITS BEGINNING CHOREOGRAPHY				
	2:30-3:50PM	MW	Berney,D	DS101	Transferable to UC, CSU				
26235	10:00-11:10AM	Sat	Cole,P	DS101	27706	2:30-3:00PM	TTh	Gregory,C	DS101
	11:10-2:35PM	Sat	Cole,P	DS101		3:00-4:00PM	TTh	Gregory,C	DS101
Class# 26235 meets 08/24/2019-12/14/2019					DANC 130B - 2.0 UNITS INTERMEDIATE CHOREOGRAPHY				
DANC 107 - 2.0 UNITS BALLET VARIATIONS					Transferable to UC, CSU				
Transferable to UC, CSU					27708 2:30-3:00PM TTh Gregory,C DS101				
27990	6:30-7:00PM	TTh	Cole,P	DS101		3:00-4:00PM	TTh	Gregory,C	DS101
	7:00-8:20PM	TTh	Cole,P	DS101	DANC 134 - 2.0 UNITS DANCE PERFORMANCE				
27992	2:00-2:30PM	MW	Berney,D	DS101	Transferable to UC, CSU				
	2:30-3:50PM	MW	Berney,D	DS101	28164	4.0 HRS ARR		Hathaway,R	DS101
26237	10:00-11:10AM	Sat	Cole,P	DS101	Mandatory first class meeting/audition on Saturday, AUGUST 24, at 10:30 in DS 115				
	11:10-2:35PM	Sat	Cole,P	DS101	DANC 136 - 2.0 UNITS DANCE REPERTORY				
Class# 26237 meets 08/24/2019-12/14/2019					Transferable to UC, CSU				
DANC 108A - 2.0 UNITS DANCE, MODERN, BEGINNING					27290 2:00-3:50PM F Gregory,C DS102				
Transferable to UC, CSU					DANC 140 - 2.0 UNITS BEGINNING JAZZ DANCE				
22203	12:30-1:00PM	TTh	Hathaway,R	DS101	Transferable to UC, CSU				
	1:00-2:20PM	TTh	Hathaway,R	DS101	21822	10:00-10:30AM	MW	Cabag,V	DS102
28159	12:00-12:30PM	MW	Roman-Rodriguez,D	DS101		10:30-11:50AM	MW	Cabag,V	DS102
	12:30-1:50PM	MW	Roman-Rodriguez,D	DS101	DANC 141 - 2.0 UNITS INTERMEDIATE JAZZ DANCE				
DANC 108B - 2.0 UNITS DANCE, MODERN, INTERMEDIATE					Transferable to UC, CSU				
Transferable to UC, CSU					Prerequisite: TH 140 or DANC 140 or equivalent with a grade of Pass or "C" or higher.				
21808	12:30-1:00PM	TTh	Hathaway,R	DS101	21823	10:00-10:30AM	MW	Cabag,V	DS102
	1:00-2:20PM	TTh	Hathaway,R	DS101		10:30-11:50AM	MW	Cabag,V	DS102
28161	12:00-12:30PM	MW	Roman-Rodriguez,D	DS101	DANC 142 - 2.0 UNITS BEGINNING TAP DANCE				
	12:30-1:50PM	MW	Roman-Rodriguez,D	DS101	Transferable to UC, CSU				
DANC 109 - 2.0 UNITS INTRODUCTION TO DANCE CULTURES OF THE WORLD					29291 12:00-12:30PM MW Cabag,V DS102				
Transferable to UC, CSU					12:30-1:50PM MW Cabag,V DS102				
29284	2:00-3:50PM	MW	Rosa,S	DS101	DANC 143 - 2.0 UNITS INTERMEDIATE TAP DANCE				
DANC 110 - 2.0 UNITS COMMERCIAL DANCE FOUNDATIONS					Transferable to UC, CSU				
Transferable to UC, CSU					Prerequisite: TH 142 or DANC 142 or equivalent with a grade of Pass or "C" or higher.				
21810	10:00-11:00AM	F	Cabag,V	DS101	29293	12:00-12:30PM	MW	Cabag,V	DS102
	11:00-1:50PM	F	Cabag,V	DS101		12:30-1:50PM	MW	Cabag,V	DS102
22084	9:00-9:30AM	TTh	Bitong,L	DS101	DANC 150 - 2.0 UNITS REHEARSAL FOR FORMAL DANCE CONCERTS				
	9:30-10:50AM	TTh	Bitong,L	DS101	Transferable to UC, CSU				
DANC 112 - 2.0 UNITS CONTEMPORARY DANCE					28165 1.0 HRS ARR Hathaway,R DS101				
Transferable to UC, CSU					+ 3.0 HRS ARR Hathaway,R DS101				
23695	10:00-10:30AM	MW	Cabag,V	DS101	Mandatory first class meeting/audition on Saturday, AUGUST 24, at 10:30 in DS 115				
	10:30-11:50AM	MW	Cabag,V	DS101	DANC 151 - 2.0 UNITS REHEARSAL FOR INFORMAL DANCE SHOWCASES				
DANC 120 - 2.0 UNITS PARTNERING FOR DANCE					Transferable to UC, CSU				
Transferable to UC, CSU					28167 1.0 HRS ARR Gregory,C DS101				
29285	4:00-4:30PM	MW	Rosa,S	DS102		+ 3.0 HRS ARR Gregory,C DS101			
	4:30-5:50PM	MW	Rosa,S	DS102	Mandatory first class meeting/audition on Saturday, AUGUST 24, at 10:30 in DS 115				
DANC 121 - 2.0 UNITS LATIN SOCIAL DANCE									
Transferable to UC, CSU									
27704	6:00-7:00PM	F	Cole,P	DS102					
	7:00-9:50PM	F	Cole,P	DS102					
29287	4:00-4:30PM	MW	Rosa,S	DS102					
	4:30- 5:50PM	MW	Rosa,S	DS102					

Students not in attendance or late for the first class are subject to drop.

Class#	Time	Day	Instructor	Room	Class#	Time	Day	Instructor	Room
--------	------	-----	------------	------	--------	------	-----	------------	------

DENTAL ASSISTING

Applications for Fall 2020 admission to the Dental Assisting Program are due in the Health Occupations Division Office no later than May 15, 2020. Students must be accepted into the Dental Assisting Program prior to enrolling in any class. For more information call (562) 860-2451, Ext. 2550.

DA 51 - 4.0 UNITS APPLIED DENTAL SCIENCE I

Not Transferable

NOTE: a material fee of \$27.00 is required for DA 51

20149	8:00-10:50AM	M	Cosio,L	HS304
	8:00-10:50AM	W	Cosio,L	HS304

DA 52 - 2.0 UNITS DENTAL RADIOGRAPHY I

Not Transferable

NOTE: a material fee of \$67.00 is required for DA 52

20151	11:00-11:50AM	M	Cosio,L	HS308
-------	---------------	---	---------	-------

PLEASE ENROLL IN LAB SECTION OF YOUR CHOICE. THE LECTURE SECTION #20151 WILL BE AUTOMATICALLY ADDED.

20153	8:00-10:50AM	Th	Cosio,L	LAB A	HS308
20154	1:30-4:20PM	Th	Cosio,L	LAB B	HS308
20152	2:30-5:20PM	T	Cosio,L	LAB C	HS308

DA 53 - 3.0 UNITS INTRODUCTION TO CHAIRSIDE ASSISTING

Not Transferable

Corequisite: DA 54.

NOTE: a material fee of \$30.00 is required for DA 53

20155	12:30-2:20PM	M	STAFF	HS305
-------	--------------	---	-------	-------

PLEASE ENROLL IN LAB SECTION AS ASSIGNED. THE LECTURE SECTION #20155 WILL BE AUTOMATICALLY ADDED.

20157	2:30-5:20PM	T	STAFF	LAB A	HS307
20156	8:00-10:50AM	T	STAFF	LAB B	HS307
20158	11:00-1:50PM	W	STAFF	LAB C	HS307

DA 54 - 4.0 UNITS INTRODUCTION TO OPERATORY PROCEDURES

Not Transferable

Corequisite: DA 53.

NOTE: a material fee of \$45.00 is required for DA 54

20159	12:30-2:20PM	T	STAFF	HS305
-------	--------------	---	-------	-------

PLEASE ENROLL IN LAB SECTION AS ASSIGNED. THE LECTURE SECTION #20155 WILL BE AUTOMATICALLY ADDED.

20161	1:00-3:50PM	ThF	STAFF	LAB A	HS307
20160	8:00-10:50AM	ThF	STAFF	LAB B	HS307
25981	5:30-8:20PM	TTh	STAFF	LAB C	HS307

DA 86 - 0.5 UNIT CLINICAL EXPERIENCE IN A ORTHODONTIC SPECIALTY PRACTICE

Not Transferable

Prerequisite: DA 85 with a grade of "C" or higher or "Pass" and an Infection Control Certificate and CPR Healthcare Provider Card.

NOTE: a material fee of \$70.00 is required for DA 86

29418	5.3 HRS ARR		STAFF	
-------	-------------	--	-------	--

Class# 29418 meets 08/19/2019-09/27/2019

DENTAL HYGIENE

Applications for Fall 2020 admission to the Dental Hygiene Program are due in the Health Occupations Division Office no later than April 1, 2020. Students must be accepted into the Dental Hygiene Program prior to enrolling in any class. For more information call (562) 860-2451, Ext. 2550.

Clearance of a criminal background check and/or drugs of abuse testing may be required prior to clinical field experience.

DH 110 - 2.0 UNITS PREVENTIVE DENTISTRY I

Transferable to CSU

20162	12:30- 2:20PM	Th	Loera,D	HS303
-------	---------------	----	---------	-------

DH 111 - 2.0 UNITS INFECTION CONTROL AND DENTAL OFFICE EMERGENCIES

Transferable to CSU

Corequisite: DH 115C.

20163	3:00-4:50PM	T	Segovia,E	HS104
-------	-------------	---	-----------	-------

DH 112 - 2.0 UNITS DENTAL HYGIENE RADIOGRAPHY

Transferable to CSU

NOTE: a material fee of \$75.00 is required for DH 112

20164	8:00-8:50AM	W	Krayer,A	SL106
-------	-------------	---	----------	-------

PLEASE ENROLL IN LAB SECTION OF YOUR CHOICE. THE LECTURE SECTION #20164 WILL BE AUTOMATICALLY ADDED.

20165	9:00-11:50AM	W	Carroll,D	HS308
20166	1:00-3:50PM	W	Shore,M	HS308

DH 114 - 2.0 UNITS DENTAL HYGIENE CLINICAL SCIENCES I

Transferable to CSU

Corequisite: DH 115C.

20167	1:00-2:50PM	T	Loera,D	HS303
-------	-------------	---	---------	-------

DH 115C - 2.0 UNITS PRE-CLINICAL DENTAL HYGIENE I

Transferable to CSU

Corequisite: DH 114.

NOTE: a material fee of \$85.00 is required for DH 115C

20168	8:30-11:20AM	M	Loera,D	HS303	
	1:00-3:50PM	F	Krayer,A	LAB A	HS303
20169	8:30-11:20AM	M	Nguyen,A	HS303	
	1:00-3:50PM	F	Grammatica,A	LAB B	HS303
20170	8:30-11:20AM	F	Grammatica,A	HS308	
	1:00-3:50PM	M	Loera,D	LAB C	HS308
20171	8:30-11:20AM	F	Krayer,A	HS303	
	1:00-3:50PM	M	Nguyen,A	LAB D	HS303

DH 116 - 2.0 UNITS HEAD AND NECK ANATOMY

Transferable to CSU

Corequisite: DH 119.

20172	8:00-10:00AM	Th	Loera,D	HS303
	10:00-10:50AM	Th	Loera,D	HS303

DH 119 - 2.0 UNITS DENTAL EMBRYOLOGY, HISTOLOGY, AND ANATOMY

Transferable to CSU

Corequisite: DH 115C and DH 116.

20173	8:00-10:00AM	T	Carroll,D	HS304
	10:00-10:50AM	T	Carroll,D	HS304

DH 232L - 1.0 UNIT DENTAL MATERIALS LABORATORY

Transferable to CSU

Corequisite: DH 235C.

NOTE: a material fee of \$130.00 is required for DH 232L

20174	2:30-5:20PM	Th	Brabender,M	HS303
-------	-------------	----	-------------	-------

DH 234 - 2.0 UNITS DENTAL CARE FOR THE SPECIAL PATIENT

Transferable to CSU

Prerequisite: DH 125C and DH 127 or equivalent with grades of Pass or "C" or higher.

Corequisite: DH 235C.

20175	2:00-3:50PM	T	Brabender,M	HS304
-------	-------------	---	-------------	-------

DH 235 - 2.0 UNITS DENTAL HYGIENE CLINICAL SCIENCES III

Transferable to CSU

Prerequisite: DH 125C or equivalent with a grade of Pass or "C" or higher.

Corequisite: DH 235C.

20176	1:00-1:50PM	T	Carroll,D	HS104
	4:00-5:00PM	T	Loera,D	HS303
	5:00-5:50PM	T	Loera,D	HS303

DH 235C - 4.0 UNITS CLINICAL DENTAL HYGIENE III

Transferable to CSU

Prerequisite: DH 125C or equivalent with a grade of Pass or "C" or higher.

Corequisite: DH 235.

NOTE: a material fee of \$18.00 is required for DH 235C

20177	8:30-11:20AM	M	Krayer,A	RYBL*	
	8:30-11:20AM	W	DiPietro-Fife,D	ELMT*	
	1:00-3:50PM	M	Krayer,A	RYBL*	
	1:00-3:50PM	F	Carroll,D	LAB A	RYBL*
20178	8:30-11:20AM	M	Carroll,D	LAB A	LBVA*
	8:30-11:20AM	F	Loera,D	LAB A	LBVA*
	1:00-3:50PM	F	Loera,D	LAB A	LBVA*
	1:00-3:50PM	M	Carroll,D	LAB B	LBVA*
20179	8:30-11:20AM	M	Benson,M	HDSN*	
	8:30-11:20AM	W	Benson,M	HDSN*	
	1:00-3:50PM	W	Benson,M	HDSN*	
	1:00-3:50PM	M	Benson,M	LAB C	HDSN*
20180	8:30-11:20AM	F	Carroll,D	RYBL*	
	8:30-11:20AM	M	Shore,M	USC *	
	1:00-3:50PM	M	Shore,M	USC *	
	1:00-3:50PM	W	DiPietro-Fife,D	LAB D	ELMT*

Students not in attendance or late for the first class are subject to drop.

Class#	Time	Day	Instructor	Room	Class#	Time	Day	Instructor	Room
23556	8:30-11:20AM	M	DiPietro-Fife,D	LBVA*					
	8:30-11:20AM	F	Shore,M	MCDH*					
	1:00-3:50PM	F	Shore,M	MCDH*					
	1:00-3:50PM	M	DiPietro-Fife,D	LAB E					
DH 238 - 1.0 UNIT COMMUNITY OUTREACH I									
Transferable to CSU									
Prerequisite: DH 110 or equivalent with a grade of Pass or "C" or higher.									
21662	9:00-10:00AM	Th	Brabender,M	SL106					
	10:00-10:50AM	Th	Brabender,M	SL106					
21664	11:30-12:30PM	Th	Brabender,M	SL106					
	12:30-1:20PM	Th	Brabender,M	SL106					
DH 239 - 2.0 UNITS INTRODUCTION TO DENTAL BIOSTATISTICS AND RESEARCH									
Transferable to CSU									
20181	9:00-10:50AM	T	Shore,M	HS104					

EARTH SCIENCE

ESCI 104 - 3.0 UNITS OCEANOGRAPHY				
Transferable to UC, CSU				
Recommendation: ENGL 52 or ENGL 72 or ESL 152 or equivalent with a grade of "C" or higher or "Pass" or completion of the English placement process with a score eligible for ENGL 100, and MATH 40 or equivalent with a grade of "C" or higher or "Pass" or completion of the math placement process with a score eligible for MATH 60.				
21885	12:30-3:20PM	T	DeKraker,D (Honors Section)	PST137
20697	3.0 HRS ARR	(OL)	DeKraker,D	ONLINE
Orientation: All class information will be available online via Canvas. Email address: ddekraker@cerritos.edu				
27394	8:00-9:15AM	MW	Iwaz,N	PST137
27955	3.0 HRS ARR	(OL)	DeKraker,D	ONLINE
Orientation: All class information will be available online via Canvas. Email address: ddekraker@cerritos.edu				
ESCI 104L - 1.0 UNIT OCEANOGRAPHY LABORATORY				
Transferable to UC, CSU				
Prerequisite: ESCI 104 or equivalent with a grade of "C" or higher or "Pass" or concurrent enrollment.				
Recommendation: ENGL 52 or ENGL 72 or ESL 152 or equivalent with a grade of "C" or higher or "Pass" or completion of the English placement process with a score eligible for ENGL 100, and MATH 40 or equivalent with a grade of "C" or higher or "Pass" or completion of the math placement process with a score eligible for MATH 60.				
21886	12:30-3:20PM	Th	DeKraker,D	PST137
ESCI 106 - 3.0 UNITS WEATHER AND CLIMATE				
Transferable to UC, CSU				
Recommendation: ENGL 52 or ENGL 72 or ESL 152 or equivalent with a grade of "C" or higher or "Pass" or completion of the English placement process with a score eligible for ENGL 100, and MATH 40 or equivalent with a grade of "C" or higher or "Pass" or completion of the math placement process with a score eligible for MATH 60.				
29363	3.0 HRS ARR	(OL)	DeKraker,D	ONLINE
Orientation: All class information will be available online via Canvas. Email address: ddekraker@cerritos.edu				
ESCI 110 - 4.0 UNITS INTRODUCTION TO EARTH SCIENCE				
Transferable to UC, CSU				
Recommendation: ENGL 52 or ENGL 72 or ESL 152 or equivalent with a grade of "C" or higher or "Pass" or completion of the English placement process with a score eligible for ENGL 100, and MATH 40 or equivalent with a grade of "C" or higher or "Pass" or completion of the math placement process with a score eligible for MATH 60.				
20223	12:30-2:00PM	MW	Okbamichael,M	PST137
	2:00-3:15PM	MW	Okbamichael,M	PST137
23824	9:30-11:00AM	MW	Iwaz,N	PST143
	11:00-12:15PM	MW	Iwaz,N	PST143
20224	9:30-11:00AM	MW	DeKraker,D	PST137
	11:00-12:15PM	MW	DeKraker,D	PST137
21267	3:30-5:00PM	TTh	Sedki,Z	PST137
	5:00-6:15PM	TTh	Sedki,Z	PST137
27661	7:00-8:30PM	TTh	Clifford,H	PST137
	8:30-9:45PM	TTh	Clifford,H	PST137

ESCI 180 - 1.0 UNIT EARTH SCIENCE MATERIALS AND PREPARATIONS

Transferable to CSU

Prerequisite: ESCI 110, or GEOL 101, or GEOG 101, or GEOG 101L with a grade of "C" or higher or "Pass."

26350	3.0 HRS ARR		Lo Vetere,C
22618	3.0 HRS ARR		DeKraker,D

ECONOMICS

ECON 101 - 3.0 UNITS ECONOMIC ISSUES AND POLICY

Transferable to UC, CSU

22882	3.0 HRS ARR	(OL)	SMITH,S	ONLINE
-------	-------------	------	---------	--------

Note: For class information and orientation go to Canvas.

25515	9:00-11:50AM	F	De Los Rios,K	SS306
25989	7:00-9:50PM	T	Yilan,L	SS306
26791	9:00-10:35AM	MW	Namala,S	SS308

Class# 26791 meets 08/19/2019-11/27/2019

ECON 102 - 3.0 UNITS WOMEN IN THE GLOBAL ECONOMY

Transferable to UC, CSU

Recommendation: Completion of English Placement Process with a score eligible for ENGL 100, or ENGL 52, or equivalent with a grade of "Pass" or "C" or higher.

29118	9:30-10:45AM	TTh	De Los Rios,K	SS315
-------	--------------	-----	---------------	-------

ECON 201 - 3.0 UNITS PRINCIPLES OF MACROECONOMICS

Transferable to UC, CSU (CAN ECON 2)

Prerequisite: MATH 40 or equivalent with a grade of "C" or higher or "Pass" or completion of the Math Placement Process with a score eligible for MATH 60.

Recommendation: ENGL 100 or equivalent with a grade of "C" or higher or "Pass".

21833	6:00-9:00PM	Th	Tahernia,F	SS308
	9:00-9:50PM	Th	Tahernia,F	SS308
21837	3.0 HRS ARR	(OL)	Keenan,D	ONLINE
	+ 1.0 HRS ARR	(OL)	Keenan,D	ONLINE
Note: For class information and orientation go to Canvas.				
24448	6:00-9:00PM	M	Merino-Hernandez,H	SS306
	9:00-9:50PM	M	Merino-Hernandez,H	SS306
26547	11:00-12:30PM	MW	Chi,E	MC102
	12:30-12:50PM	MW	Chi,E	MC102
27256	3.0 HRS ARR	(OL)	Vayo,L	ONLINE
	+ 1.0 HRS ARR	(OL)	Vayo,L	ONLINE
Note: For class information and orientation go to Canvas.				
27730	3.0 HRS ARR	(OL)	Yilan,L	ONLINE
	+ 1.0 HRS ARR	(OL)	Yilan,L	ONLINE
Note: For class information and orientation go to Canvas.				
27252	8:00-12:00PM	F	Saxton,J	SS308
	12:00-12:50PM	F	Saxton,J	SS308
Class# 27252 meets 08/23/2019-11/29/2019				
27011	11:00-2:00PM	MW	Namala,S	SS306
	2:00-2:50PM	MW	Namala,S	SS306
Class# 27011 meets 08/19/2019-10/16/2019				
29530	8:00- 9:30AM	MW	Chi,E	LA211
	9:30- 9:50AM	MW	Chi,E	LA211

ECON 201M - 3.0 UNITS PRINCIPLES OF MACROECONOMICS

Transferable to UC, CSU

Prerequisite: MATH 80 or equivalent with a grade of "C" or higher or "Pass" or completion of the Math Placement Process with a score eligible for MATH 100 or higher.

Recommendation: ENGL 100 or equivalent with a grade of "C" or higher or "Pass".

24438	6:00-9:00PM	Th	Tahernia,F	SS308
	9:00-9:50PM	Th	Tahernia,F	SS308
24442	6:00-9:00PM	M	Merino-Hernandez,H	SS306
	9:00-9:50PM	M	Merino-Hernandez,H	SS306
24444	3.0 HRS ARR	(OL)	Vayo,L	ONLINE
	+ 1.0 HRS ARR	(OL)	Vayo,L	ONLINE
Note: For class information and orientation go to Canvas.				
26020	11:00-12:30PM	MW	Chi,E	MC102
	12:30-12:50PM	MW	Chi,E	MC102
27258	3.0 HRS ARR	(OL)	Keenan,D	ONLINE
	+ 1.0 HRS ARR	(OL)	Keenan,D	ONLINE

Note: For class information and orientation go to Canvas.

Students not in attendance or late for the first class are subject to drop.

Class#	Time	Day	Instructor	Room	Class#	Time	Day	Instructor	Room
27732	3.0 HRS ARR + 1.0 HRS ARR	(OL) (OL)	Yilan,L Yilan,L	ONLINE ONLINE					
Note: For class information and orientation go to Canvas.									
27254	8:00-12:00PM 12:00-12:50PM	F F	Saxton,J Saxton,J	SS308 SS308					
Class# 27254 meets 08/23/2019-11/29/2019									
24440	8:30-9:50AM 9:50-10:40AM	TTh TTh	Namala,S Namala,S	(Honors Section) (Honors Section)	SS306 SS306				
Class# 24440 meets 08/20/2019-11/28/2019									
27013	11:00-2:00PM 2:00-2:50PM	MW MW	Namala,S Namala,S	SS306 SS306					
Class# 27013 meets 08/19/2019-10/16/2019									
29532	8:00- 9:30AM 9:30- 9:50AM	MW MW	Chi,E Chi,E	LA211 LA211					

ECON 202 - 3.0 UNITS PRINCIPLES OF MICROECONOMICS

Transferable to UC, CSU (CAN ECON 4)

Prerequisite: MATH 40 or equivalent with a grade of "C" or higher or "Pass" or completion of the Math Placement Process with a score eligible for MATH 60.
Recommendation: ENGL 100 or equivalent with a grade of "C" or higher or "Pass."

23776	3.0 HRS ARR + 1.0 HRS ARR	(OL) (OL)	Keenan,D Keenan,D	ONLINE ONLINE					
Note: For class information and orientation go to Canvas.									
24073	6:00-9:00PM 9:00-9:50PM	T T	Namala,S Namala,S	SS308 SS308					
25671	11:00-12:30PM 12:30-12:50PM	TTh TTh	De Los Rios,K De Los Rios,K	SS137 SS137					
27734	3.0 HRS ARR + 1.0 HRS ARR	(OL) (OL)	Merino-Hernandez,H Merino-Hernandez,H	ONLINE ONLINE					
Note: For class information and orientation go to Canvas.									
27738	3.0 HRS ARR + 1.0 HRS ARR	(OL) (OL)	Smith,S Smith,S	ONLINE ONLINE					
Note: For class information and orientation go to Canvas.									
29119	1:00-2:30PM 2:30-2:50PM	TTh TTh	Chi,E Chi,E	SS306 SS306					
27149	3:00-4:30PM 4:30-5:10PM	TTh TTh	Saxton,J Saxton,J	SS141 SS141					
Class# 27149 meets 08/20/2019-11/28/2019									
22624	11:00-2:00PM 2:00-2:50PM	MW MW	Namala,S Namala,S	SS306 SS306					
Class# 22624 meets 10/21/2019-12/18/2019									
29534	8:30-10:00AM 10:00-10:20AM	TTh TTh	Chi,E Chi,E	MCIS207 MCIS207					

ECON 202M - 3.0 UNITS PRINCIPLES OF MICROECONOMICS

Transferable to UC, CSU

Prerequisite: MATH 80 or equivalent with a grade of "C" or higher or "Pass" or completion of the Math Placement Process with a score eligible for MATH 100 or higher.

Recommendation: ENGL 100 or equivalent with a grade of "C" or higher or "Pass" or completion of the English Placement Process.

25673	11:00-12:30PM 12:30-12:50PM	TTh TTh	De Los Rios,K De Los Rios,K	SS137 SS137					
27740	3.0 HRS ARR + 1.0 HRS ARR	(OL) (OL)	Keenan,D Keenan,D	ONLINE ONLINE					
Note: For class information and orientation go to Canvas.									
23647	6:00-9:00PM 9:00-9:50PM	T T	Namala,S Namala,S	SS308 SS308					
23778	3.0 HRS ARR + 1.0 HRS ARR	(OL) (OL)	Smith,S Smith,S	ONLINE ONLINE					
Note: For class information and orientation go to Canvas.									
27736	3.0 HRS ARR + 1.0 HRS ARR	(OL) (OL)	Merino-Hernandez,H Merino-Hernandez,H	ONLINE ONLINE					
Note: For class information and orientation go to Canvas.									
29121	1:00-2:30PM 2:30-2:50PM	TTh TTh	Chi,E Chi,E	SS306 SS306					
27136	3:00-4:30PM 4:30-5:10PM	TTh TTh	Saxton,J Saxton,J	SS141 SS141					
Class# 27136 meets 08/20/2019-11/28/2019									
22634	11:00-2:00PM 2:00-2:50PM	MW MW	Namala,S Namala,S	SS306 SS306					
Class# 22634 meets 10/21/2019-12/18/2019									
29536	8:30-10:00AM 10:00-10:20AM	TTh TTh	Chi,E Chi,E	MCIS20 MCIS20					

EDUCATION

EDEL 100 - 1.0 UNIT INTRODUCTION TO TEACHING AND LEARNING IN DIVERSE CONTEMPORAR

Transferable to CSU

29123	1.2 HRS ARR	(OL)	Morales,X	ONLINE					
*Orientation will be entirely online. Instructor will email course information and provide access to the course a week prior to the start of the semester. Additional information will also be posted in Canvas, which can be accessed through the Cerritos College website. Students must access the course online by midnight on the first day of class. To prevent being dropped from the course, students must access the course by the first week of the semester. Waitlist students will be emailed by instructor if they can be added. Targeted for Future Teachers but Open to all Students									
Class# 29123 meets 09/09/2019-12/20/2019									
21425	5:00-6:05PM	W	Fonti,A	S 202					
Targeted for Future Teachers but Open to all Students									
Class# 21425 meets 09/11/2019-12/18/2019									

EDEL 200 - 3.0 UNITS INTRODUCTION TO EDUCATION

Transferable to CSU

Prerequisite: Enrollment in the Cerritos College Teacher Training Academy (Teacher TRAC), or CSU's Integrated Teacher Education Program (ITEP), and completion of EDEL 100 or equivalent with a grade of "C" or higher.

25504	6:15-9:05PM	W	Fonti,A	S 202					
*MUST BE ACCEPTED INTO THE TEACHER TRAC PROGRAM. Applications for fall 2019 admissions into the Teacher TRAC PROGRAM are due in the Teacher TRAC Center no later than August 23, 2019. For more information call (562) 860-2451, ext. 2212.									

EDUCATIONAL TECHNOLOGY (EDTCH)

EDT 116 - 3.0 UNITS INFORMATION LITERACY FOR EDUCATORS

Transferable to CSU

Recommendation: EDT 50 or EDT 151 or equivalent with a grade of "C" or higher or "Pass."

29100	6.0 HRS ARR	(OL)	Alexander,C	ONLINE					
Orientation will be conducted online. Instructor will email students with instructions prior to the start of the class.									
Class# 29100 meets 08/19/2019-10/18/2019									

EDT 125 - 2.0 UNITS FUNDAMENTALS OF ONLINE TEACHING

Transferable to CSU

Recommendation: EDT 50 or EDT 51 or equivalent with a grade of "C" or higher.

21249	4.0 HRS ARR	(OL)	Alexander,C	ONLINE					
Orientation will be conducted online. Instructor will email students with instructions prior to the start of the class.									
Class# 21249 meets 10/21/2019-12/20/2019									

ENGINEERING

ENGR 110 - 2.0 UNITS INTRODUCTION TO ENGINEERING

Transferable to UC, CSU

25396	1:00-2:50PM	F	STAFF	S 104					
26448	7:00-8:50PM	T	STAFF	S 104					

ENGR 112 - 3.0 UNITS ENGINEERING GRAPHICS

Transferable to UC, CSU (CAN ENGR 2)

Prerequisite: MATH 140 or equivalent with a grade of "C" or higher or "Pass."

28148	4:00-5:50PM 6:00-8:50PM	F F	STAFF STAFF	MCIS204 MCIS204					
-------	----------------------------	--------	----------------	--------------------	--	--	--	--	--

ENGR 215 - 3.0 UNITS CIRCUITS

Transferable to UC, CSU (CAN ENGR 12)

Prerequisite: PHYS 202 or equivalent with a grade of "C" or higher or "Pass." Corequisite: MATH 240 or MATH 250 or prior completion of MATH 240 or MATH 250 or equivalent with a grade of "C" or higher or "Pass."

29409	8:00-10:50AM	W	STAFF	PST133					
-------	--------------	---	-------	--------	--	--	--	--	--

ENGR 215L - 1.0 UNIT CIRCUITS LABORATORY

Transferable to CSU

Prerequisite: ENGR 215 or equivalent with a grade of "C" or higher or "Pass" or concurrent enrollment.

29410	8:00-10:50AM	M	STAFF	PST133					
-------	--------------	---	-------	--------	--	--	--	--	--

Students not in attendance or late for the first class are subject to drop.

Class#	Time	Day	Instructor	Room	Class#	Time	Day	Instructor	Room
ENGR 235 - 3.0 UNITS STATICS Transferable to UC, CSU (CAN ENGR 8) Prerequisite: MATH 190 and PHYS 201 or equivalents with grades of "C" or higher or "Pass." 27060 4:00-6:50PM Th STAFF PST124					ENGINEERING TECHNOLOGY ET 101 - 3.0 UNITS PRINCIPLES OF ENGINEERING TECHNOLOGY Transferable to CSU Please read the technical standards relevant to this department at http://cms.cerritos.edu/technology/standards.htm NOTE: a material fee of \$10.00 is required for ET 101 22684 8:00-10:15AM Sat Jamka,A ME 2 10:15-1:25PM Sat Jamka,A ME 2 Class# 22684 meets 08/24/2019-12/14/2019				

ENGINEERING DESIGN TECHNOLOGY

ENGT 103 - 3.0 UNITS INTRODUCTION TO ENGINEERING DESIGN USING INVENTOR Transferable to CSU NOTE: a material fee of \$10.00 is required for ENGT 103 Please read the technical standards relevant to this department at http://cms.cerritos.edu/technology/standards.htm 24237 4:00-5:00PM MW Jamka,A PST227 5:00-6:20PM MW Jamka,A PST227 Class# 24237 meets 09/09/2019-12/18/2019				
---	--	--	--	--

ENGT 116 - 2.0 UNITS BLUEPRINT READING Transferable to CSU Recommendation: ENGT 131 or equivalent with a grade of Pass or "C" or higher. 21468 9:00-10:41AM Sat Li,D PST236 10:41-12:12PM Sat Li,D PST236 Class# 21468 meets 08/24/2019-12/14/2019 28411 3.0 HRS ARR (OL) Li,D ONLINE + 3.0 HRS ARR (OL) Li,D ONLINE Class# 28411 meets 10/21/2019-12/18/2019				
--	--	--	--	--

ENGT 117 - 2.0 UNITS GEOMETRICAL DIMENSIONING AND TOLERANCING Transferable to CSU Corequisite: ENGT 116 or equivalent with a grade of Pass or "C" or higher or prior completion. 26136 4.0 HRS ARR (OL) Real,Y ONLINE Class# 26136 meets 08/19/2019-10/18/2019				
---	--	--	--	--

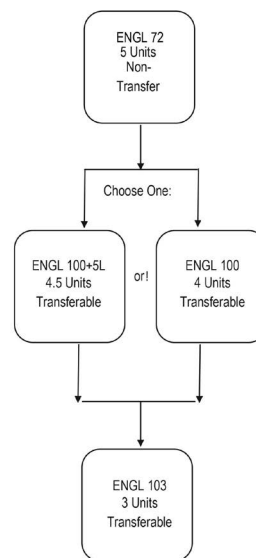
ENGT 131 - 3.0 UNITS DESIGN FUNDAMENTALS INCLUDING 3D MODELING Transferable to CSU Recommendation: ENGT 116 or equivalent with a grade of "C" or higher, or "Pass." NOTE: a material fee of \$10.00 is required for ENGT 131 28039 8:00-9:00AM TTh Li,D PST224 9:00-10:50AM TTh Li,D PST224				
---	--	--	--	--

ENGT 138 - 4.0 UNITS INTRODUCTION TO ENGINEERING DESIGN USING AUTOCAD Transferable to UC, CSU Recommendation: ENGT 116 and ENGT 131 or equivalent with a grade of "C" or higher, or "Pass," or appropriate work experience. NOTE: a material fee of \$10.00 is required for ENGT 138 24235 8:00-9:30AM MW Li,D PST227 9:30-10:50AM MW Li,D PST227				
---	--	--	--	--

ENGT 259 - 4.0 UNITS SOLIDWORKS INTRODUCTION Transferable to CSU NOTE: a material fee of \$10.00 is required for ENGT 259 24245 3.0 HRS ARR (OL) Micic,M ONLINE + 3.0 HRS ARR (OL) Micic,M ONLINE				
--	--	--	--	--

ENGT 260 - 4.0 UNITS ADVANCED MODELING USING SOLIDWORKS Transferable to CSU Prerequisite: ENGT 259 or equivalent with a grade of Pass or "C" or higher, or appropriate work experience. NOTE: a material fee of \$10.00 is required for ENGT 260 28956 7:00-8:30PM MW Micic,M PST224 8:30-9:50PM MW Micic,M PST224				
--	--	--	--	--

ENGLISH



English 100, Freshman Composition, is required for transfer and for A.A. degrees. The English writing classes above help you to achieve those goals.

If you previously placed in English 20, English 72 is now the place to start. Students who were placed in English 52 or who passed English 20 with a C or better may take English 100+5L. This class adds a lab component to the Freshman Composition class to provide extra support for students as they complete their transfer requirement.

Both English 100+5L and English 100 complete the transfer and A.A. degree requirement; students need only take one of those courses. Students whose transfer goals require a critical thinking class may take English 103 after they pass Freshman Composition successfully.

ENGL 5L - 0.5 UNIT FRESHMAN COMPOSITION SUPPLEMENTAL SEMINAR Not Transferable 26959 10:00-10:50AM T Serwin,L (HYBRID) LA106 Students who select this section of ENGL 5L must also enroll in ENGL 100 #24538. Note: A portion of the hours for this class will be online. 26960 10:00-10:50AM Th Serwin,L (HYBRID) LA106 Students who select this section of ENGL 5L must also enroll in ENGL 100 #23468. Note: A portion of the hours for this class will be online. 27378 1:00-1:50PM MW STAFF (HYBRID) LC134 Students who select this section of ENGL 5L must also enroll in ENGL 100 #27871. Note: A portion of the hours for this class will be online. 27379 1:00-1:50PM MW STAFF (HYBRID) MCIS207 Students who select this section of ENGL 5L must also enroll in ENGL 100 #27377. Note: A portion of the hours for this class will be online.				
---	--	--	--	--

Students not in attendance or late for the first class are subject to drop.

Class#	Time	Day	Instructor	Room	Class#	Time	Day	Instructor	Room
27779	10:20-11:00AM	MWF	STAFF	LC134	27806	1:00-1:50PM	TTh	STAFF	LA202
	Students who select this section of ENGL 5L must also enroll in ENGL 100 #27865.					Students who select this section of ENGL 5L must also enroll in ENGL 100 #27893.			
27780	10:20-10:50AM	MW	Gonzales,J (HYBRID)	LA201	27807	3:00-3:50PM	TTh	Danielo,J	SS138
	Students who select this section of ENGL 5L must also enroll in ENGL 100 #27866. Note: A portion of the hours for this class will be online.					Students who select this section of ENGL 5L must also enroll in ENGL 100 #27894.			
27781	11:00-11:50AM	MW	STAFF	LC213	27808	3:00-3:50PM	TTh	Olague,M	HS103
	Students who select this section of ENGL 5L must also enroll in ENGL 100 #27867.					Students who select this section of ENGL 5L must also enroll in ENGL 100 #27895.			
27782	10:20-11:00AM	MWF	STAFF	SS138	27809	4:00-4:50PM	TTh	Cagnolatti,D	LA203
	Students who select this section of ENGL 5L must also enroll in ENGL 100 #27868.					Students who select this section of ENGL 5L must also enroll in ENGL 100 #27896. This ENGL 5L class is part of the UMOJA Learning Community, which includes ENGL 100 #27896 and COUN 200 #25579. For additional information on UMOJA, please complete this interest form https://forms.gle/8UFCq2SDnMJrLF6v7 and UMOJA will contact you.			
27783	11:00-11:50AM	MW	STAFF	SS141	27811	3:00-3:50PM	TTh	Cole,E	MCIS207
	Students who select this section of ENGL 5L must also enroll in ENGL 100 #27869.					Students who select this section of ENGL 5L must also enroll in ENGL 100 #27898.			
27784	10:00-10:50AM	MW	Alvarez,L	LA106	27812	6:00-6:50PM	TTh	STAFF	LA201
	Students who select this section of ENGL 5L must also enroll in ENGL 100 #27870.					Students who select this section of ENGL 5L must also enroll in ENGL 100 #27899.			
27785	1:00-1:50PM	MW	STAFF	BE106	27815	9:00-9:50PM	TTh	STAFF	LA202
	Students who select this section of ENGL 5L must also enroll in ENGL 100 #27873.					Students who select this section of ENGL 5L must also enroll in ENGL 100 #27902.			
27787	12:20-12:50PM	MW	Gonzales,J (HYBRID)	BE110	27816	9:00-9:50PM	TTh	STAFF	LA204
	Students who select this section of ENGL 5L must also enroll in ENGL 100 #27376. Note: A portion of the hours for this class will be online.					Students who select this section of ENGL 5L must also enroll in ENGL 100 #27903.			
27788	1:00-1:50PM	MW	Cagnolatti,D	LA103	27818	9:00-9:50PM	TTh	STAFF	LA205
	Students who select this section of ENGL 5L must also enroll in ENGL 100 #27874.					Students who select this section of ENGL 5L must also enroll in ENGL 100 #27905.			
27789	1:00-1:50PM	MW	Olague,M	MCIS209	27819	11:00-11:50AM	MW	STAFF	LM20*
	Students who select this section of ENGL 5L must also enroll in ENGL 100 #27875. Targeted for Future Teachers but Open to all Students					Students who select this section of ENGL 5L must also enroll in ENGL 100 #27906. This class is being held at our satellite campus. La Mirada Center, 15310 Alondra Blvd., La Mirada, 90638 in classroom #20			
27790	3:00-3:50PM	M	Greene,C (HYBRID)	LA106	27820	3:00-3:50PM	MW	STAFF	LM20*
	Students who select this section of ENGL 5L must also enroll in ENGL 100 #27877. Note: A portion of the hours for this class will be online. This is an AIME-designated course, and you must be enrolled in the AIME program to take this course					Students who select this section of ENGL 5L must also enroll in ENGL 100 #27907. This class is being held at our satellite campus. La Mirada Center, 15310 Alondra Blvd., La Mirada, 90638 in classroom #20			
27791	3:00-3:50PM	W	Greene,C	LA106	27822	11:00-11:50AM	TTh	STAFF	LM20*
	Students who select this section of ENGL 5L must also enroll in ENGL 100 #27878.					Students who select this section of ENGL 5L must also enroll in ENGL 100 #27909. This class is being held at our satellite campus. La Mirada Center, 15310 Alondra Blvd., La Mirada, 90638 in classroom #20			
27792	3:00-3:50PM	MW	Danielo,J	LA201	27825	3:00-3:50PM	MW	STAFF	SS137
	Students who select this section of ENGL 5L must also enroll in ENGL 100 #27879.					Students who select this section of ENGL 5L must also enroll in ENGL 100 #27912.			
27794	3:00-3:50PM	MW	Cole,E	LC213	27826	3:00-3:50PM	MW	STAFF (HYBRID)	SS308
	Students who select this section of ENGL 5L must also enroll in ENGL 100 #27881. This is an AIME-designated course, and you must be enrolled in the AIME program to take this course					Students who select this section of ENGL 5L must also enroll in ENGL 100 #27876. Note: A portion of the hours for this class will be online.			
27798	9:00-9:50PM	MW	STAFF	LA201	29130	8:20-8:50AM	MWF	STAFF	LA109
	Students who select this section of ENGL 5L must also enroll in ENGL 100 #27885.					Students who select this section of ENGL 5L must also enroll in ENGL 100 #24540.			
27800	10:00-10:50AM	TTh	Alvarez,L	LA202	29131	8:20-8:50AM	MWF	STAFF	LA201
	Students who select this section of ENGL 5L must also enroll in ENGL 100 #27887.					Students who select this section of ENGL 5L must also enroll in ENGL 100 #29171.			
27801	10:00-10:50AM	TTh	Quaas-Berryman,F (PUENTE)	LA203	29132	10:00-10:50AM	MW	STAFF	LA202
	Students who select this section of ENGL 5L must also enroll in ENGL 100 #27888. This ENGL 100 class is part of the Puente Learning Community, which includes ENGL 100 #27888 and COUN 200 #22519. For additional information on PUENTE, please contact the program counselor Gustavo Romero at gromero@cerritos.edu .					Students who select this section of ENGL 5L must also enroll in ENGL 100 #29172.			
27802	10:00-10:50AM	TTh	STAFF	LA201	29133	10:00-10:50AM	MW	STAFF	SS139
	Students who select this section of ENGL 5L must also enroll in ENGL 100 #27889.					Students who select this section of ENGL 5L must also enroll in ENGL 100 #29173.			
27803	3:00-3:50PM	T	Hua,L (HYBRID)	LA106	29134	10:00-10:50AM	MW	STAFF	SS214
	Students who select this section of ENGL 5L must also enroll in ENGL 100 #27890. Note: A portion of the hours for this class will be online. This is an AIME-designated course, and you must be enrolled in the AIME program to take this course					Students who select this section of ENGL 5L must also enroll in ENGL 100 #29174.			
27804	3:00-3:50PM	Th	Hua,L (HYBRID)	LA106	29135	1:00-1:50PM	MW	STAFF	SS214
	Students who select this section of ENGL 5L must also enroll in ENGL 100 #27891. Note: A portion of the hours for this class will be online.					Students who select this section of ENGL 5L must also enroll in ENGL 100 #29177.			
27805	1:00-1:50PM	TTh	STAFF	LC213	29136	1:00-1:50PM	M	Serwin,L (HYBRID)	LA202
	Students who select this section of ENGL 5L must also enroll in ENGL 100 #27892.					Students who select this section of ENGL 5L must also enroll in ENGL 100 #29175. Note: A portion of the hours for this class will be online. This is an AIME-designated course, and you must be enrolled in the AIME program to take this course			

Students not in attendance or late for the first class are subject to drop.

Class#	Time	Day	Instructor	Room	Class#	Time	Day	Instructor	Room	
29137	1:00-1:50PM	W	Hua,L (HYBRID)	LA202	29163	5:00- 5:50PM	TTh	STAFF	LA205	
	Students who select this section of ENGL 5L must also enroll in ENGL 100 #29176. Note: A portion of the hours for this class will be online.					Students who select this section of ENGL 5L must also enroll in ENGL 100 #29203.				
29138	3:00-3:50PM	T	Clifford,S (HYBRID)	LA104	29164	9:00- 9:50PM	TTh	STAFF	LA203	
	Students who select this section of ENGL 5L must also enroll in ENGL 100 #29178. Note: A portion of the hours for this class will be online.					Students who select this section of ENGL 5L must also enroll in ENGL 100 #29204.				
29139	3:00-3:50PM	Th	Clifford,S (HYBRID)	LA104	29165	9:00- 9:50PM	TTh	STAFF	LA210	
	Students who select this section of ENGL 5L must also enroll in ENGL 100 #29179. Note: A portion of the hours for this class will be online.					Students who select this section of ENGL 5L must also enroll in ENGL 100 #29205.				
29140	3:00- 3:50PM	MW	STAFF	CB103	29166	9:00- 9:50PM	TTh	STAFF	LA212	
	Students who select this section of ENGL 5L must also enroll in ENGL 100 #29180.					Students who select this section of ENGL 5L must also enroll in ENGL 100 #29206.				
29141	6:00- 6:50PM	MW	STAFF	LA106	29167	9:00- 9:50PM	TTh	STAFF	LA110	
	Students who select this section of ENGL 5L must also enroll in ENGL 100 #29181.					Students who select this section of ENGL 5L must also enroll in ENGL 100 #29207.				
29142	6:00- 6:50PM	MW	STAFF	LA201	29168	9:00- 9:50PM	TTh	STAFF	LC134	
	Students who select this section of ENGL 5L must also enroll in ENGL 100 #29182.					Students who select this section of ENGL 5L must also enroll in ENGL 100 #29208.				
29143	8:00- 8:50PM	MW	STAFF	LA202	29170	9:00- 9:50PM	TTh	STAFF	LC213	
	Students who select this section of ENGL 5L must also enroll in ENGL 100 #29183.					Students who select this section of ENGL 5L must also enroll in ENGL 100 #29210.				
29144	7:00- 7:50PM	MW	STAFF	MP211	29437	11:00-11:50AM	TTh	Gonzales,J	LA105	
	Students who select this section of ENGL 5L must also enroll in ENGL 100 #29184.					This class is targeted for ESL students but open to all students. Students who select this section of ENGL 5L must also enroll in ENGL 100 #29438.				
29145	9:00- 9:50PM	MW	STAFF	LA204	ENGL 72 - 5.0 UNITS INTRODUCTION TO COLLEGE WRITING AND REASONING					
	Students who select this section of ENGL 5L must also enroll in ENGL 100 #29185.					Not Transferable Prerequisite: Completion of ENGL 20 or equivalent with a grade of "C" or higher, or of "Pass", or completion of the placement process with eligibility for ENGL 20 or ENGL 52.				
29146	9:00- 9:50PM	MW	STAFF	LA205	27453	6:55-8:45AM	TThF	STAFF	BELF*	
	Students who select this section of ENGL 5L must also enroll in ENGL 100 #29186.					8:45- 9:10AM	TThF	STAFF	BELF*	
29147	9:00- 9:50PM	MW	STAFF	LA203		Class# 27453 meets 09/10/2019-12/20/2019				
	Students who select this section of ENGL 5L must also enroll in ENGL 100 #29187.				28275	6:15- 8:05AM	TThF	STAFF	MAYF*	
29148	9:00- 9:50PM	MW	STAFF	LA210		8:05- 8:30AM	TThF	STAFF	MAYF*	
	Students who select this section of ENGL 5L must also enroll in ENGL 100 #29188.					Class# 28275 meets 09/10/2019-12/20/2019				
29149	9:00- 9:50PM	MW	STAFF	LA211	ENGL 100 - 4.0 UNITS FRESHMAN COMPOSITION					
	Students who select this section of ENGL 5L must also enroll in ENGL 100 #29189.					Transferable to UC, CSU (CAN ENGL 2)				
29150	9:00- 9:50PM	MW	STAFF	LA212	20185	4.0 HRS ARR	(OL)	STAFF	ONLINE	
	Students who select this section of ENGL 5L must also enroll in ENGL 100 #29190.					All students must complete the mandatory orientation on Canvas to remain enrolled.				
29151	9:00- 9:50PM	MW	STAFF	LA106	20191	4.0 HRS ARR	(OL)	Kayser,L	ONLINE	
	Students who select this section of ENGL 5L must also enroll in ENGL 100 #29191.					You must complete the online orientation that is located on Canvas to remain enrolled in this course.				
29152	10:00-10:50AM	TTh	STAFF	LC134	20192	8:00- 9:50AM	MW	Sartin,N	LA103	
	Students who select this section of ENGL 5L must also enroll in ENGL 100 #29192.				20193	9:00-10:50AM	MW	Juntilla,T (Honors Section)	LA104	
29153	10:00-10:50AM	TTh	STAFF	CB103	20194	5:00- 6:50PM	TTh	STAFF	LA204	
	Students who select this section of ENGL 5L must also enroll in ENGL 100 #29193.				20196	11:00-12:50PM	TTh	STAFF	LA106	
29154	10:00-10:50AM	TTh	STAFF	BE106	20204	1:00- 2:50PM	MW	Fagundes,M	BE122	
	Students who select this section of ENGL 5L must also enroll in ENGL 100 #29194.				20205	9:00-10:50AM	MW	Mitchell-Lambert,J	MP211	
29155	1:00- 1:50PM	TTh	STAFF	LA204	This ENGL 100 class is part of the FYE Health Occupations House Learning Community, which includes MATH 112 #20340, MATH 5 #29063, COUN 200 # 22518 and SOC 101 #20550. To enroll in the learning community, please complete this contract http://cms.cerritos.edu/lcp/FYE_Contract_Page.htm .					
	Students who select this section of ENGL 5L must also enroll in ENGL 100 #29195.				20206	5:00- 6:50PM	MW	STAFF	LA203	
29156	1:00- 1:50PM	TTh	STAFF	LC134	20208	2:00- 3:50PM	TTh	STAFF	LA202	
	Students who select this section of ENGL 5L must also enroll in ENGL 100 #29196.				20688	4.0 HRS ARR	(OL)	Kayser,L	ONLINE	
29157	1:00- 1:50PM	TTh	STAFF	CB103	You must complete the online orientation that is located on Canvas to remain enrolled in this course.					
	Students who select this section of ENGL 5L must also enroll in ENGL 100 #29197.				20689	4.0 HRS ARR	(OL)	Shah,N	ONLINE	
29158	1:00- 1:50PM	TTh	STAFF	S 104	Mandatory orientation on Canvas which must be completed no later than 11:55 pm on 8/19/19 to remain enrolled in the class.					
	Students who select this section of ENGL 5L must also enroll in ENGL 100 #29198.				20690	9:00-10:50AM	M	Quaas-Berryman,F (HYBRID)	LA203	
29159	3:00- 3:50PM	TTh	STAFF	BC 47	Note: A portion of the hours for this class will be online.					
	Students who select this section of ENGL 5L must also enroll in ENGL 100 #29199.				22150	1:00- 2:50PM	TTh	Mitchell-Lambert,J	MP211	
29160	3:00- 3:50PM	TTh	STAFF	MCIS211	Targeted for Future Teachers but Open to all Students					
	Students who select this section of ENGL 5L must also enroll in ENGL 100 #29200.				22074	7:00- 8:50AM	TTh	Gaik,F	LA105	
29161	6:00- 6:50PM	TTh	STAFF	LA106	22345	4.0 HRS ARR	(OL)	Shah,N	ONLINE	
	Students who select this section of ENGL 5L must also enroll in ENGL 100 #29201.				Mandatory orientation on Canvas which must be completed no later than 11:55 pm on 8/19/19 to remain enrolled in the class.					
					24537	9:00-12:50PM	F	STAFF	LA106	
					22076	1:00- 2:50PM	T	STAFF (HYBRID)	FA133	
					Note: A portion of the hours for this class will be online.					
					24538	8:00- 9:50AM	T	Serwin,L (HYBRID)	LA106	
					Note: A portion of the hours for this class will be online. Students who select this section of ENGL 100 must also enroll in ENGL 5L #26959.					

Students not in attendance or late for the first class are subject to drop.

Class#	Time	Day	Instructor	Room	Class#	Time	Day	Instructor	Room
26396	9:00-10:50AM	TTh	Sartin,N	LA103	27374	11:00-12:50PM	TTh	STAFF	MP205
23468	8:00- 9:50AM	Th	Servin,L	(HYBRID) LA106	27375	9:00-10:50AM	MW	Kait,K	BE106
Note: A portion of the hours for this class will be online. Students who select this section of ENGL 100 must also enroll in ENGL 5L #26960.					27376	11:00-12:20PM	MW	Gonzales,J	(HYBRID) LA201
20197	11:00-12:50PM	MW	Quaas-Berryman,F	LA104	Note: A portion of the hours for this class will be online; Students who select this section of ENGL 100 must also enroll in ENGL 5L #27787				
This is an AIME-designated course, and you must be enrolled in the AIME program to take this course					27377	11:00-12:50PM	MW	STAFF	(HYBRID) MCIS207
20198	4.0 HRS ARR	(OL)	Cole,E	ONLINE	Note: A PORTION OF THE HOURS FOR THIS CLASS WILL BE ONLINE. Students who select this section of ENGL 100 must also enroll in ENGL 5L #27379.				
Class orientation will be conducted online.					27868	9:00-10:20AM	MWF	STAFF	SS138
25179	1:00- 2:50PM	Th	STAFF	(HYBRID) LC217	Students who select this section of ENGL 100 must also enroll in ENGL 5L #27782.				
Note: A portion of the hours for this class will be online.					27869	9:00-10:50AM	MW	STAFF	SS141
23986	5:00- 6:50PM	TTh	STAFF	LA203	Students who select this section of ENGL 100 must also enroll in ENGL 5L #27783.				
20201	1:00- 2:50PM	MW	STAFF	MP211	27870	8:00- 9:50AM	MW	Alvarez,L	LA106
27316	7:00- 8:50AM	MW	STAFF	LM20*	Students who select this section of ENGL 100 must also enroll in ENGL 5L #27784.				
This class is being held at our satellite campus. La Mirada Center, 15310 Alondra Blvd., La Mirada, 90638 in classroom #20					27871	11:00-12:50PM	MW	STAFF	LC134
20202	7:00- 8:50AM	TTh	Sartin,N	LA103	Students who select this section of ENGL 100 must also enroll in ENGL 5L #27378.				
20203	1:00- 2:50PM	MW	Shah,N	S 201	27873	11:00-12:50PM	MW	STAFF	BE106
27317	5:00-6:50PM	MW	STAFF	LM20*	Students who select this section of ENGL 100 must also enroll in ENGL 5L #27785.				
This class is being held at our satellite campus. La Mirada Center, 15310 Alondra Blvd., La Mirada, 90638 in classroom #20					27874	11:00-12:50PM	MW	Cagnolatti,D	LA103
27247	11:00-12:50PM	MW	Sartin,N	MP209	Students who select this section of ENGL 100 must also enroll in ENGL 5L #27788.				
22297	9:00-12:50PM	F	STAFF	LA105	27875	11:00-12:50PM	MW	Olaque,M	MCIS209
26510	9:00-10:50AM	TTh	Fagundes,M	MP209	Students who select this section of ENGL 100 must also enroll in ENGL 5L #27789.				
24540	7:00- 8:20AM	MWF	STAFF	LA109	Targeted for Future Teachers but Open to all Students				
Students who select this section of ENGL 100 must also enroll in ENGL 5L #29130.					27876	1:00- 2:50PM	MW	STAFF	(HYBRID) SS308
26398	9:00-10:50AM	T	STAFF	(HYBRID) MP211	Note: Students who select this section of ENGL 100 must also enroll in ENGL 5L #27826.				
Note: A portion of the hours for this class will be online.					27877	1:00- 2:50PM	M	Greene,C	(HYBRID) LA106
24595	9:00-10:50AM	MW	Fagundes,M	LA105	Students who select this section of ENGL 100 must also enroll in ENGL 5L #27790.				
24542	4.0 HRS ARR	(OL)	STAFF	ONLINE	A PORTION OF THE HOURS FOR THIS CLASS WILL BE ONLINE				
All students must complete the mandatory orientation on Canvas to remain enrolled.					This is an AIME-designated course, and you must be enrolled in the AIME program to take this course				
27865	9:00-10:20AM	MWF	STAFF	LC134	27878	1:00- 2:50PM	W	Greene,C	(HYBRID) LA106
Students who select this section of ENGL 100 must also enroll in ENGL 5L #27779.					Students who select this section of ENGL 100 must also enroll in ENGL 5L #27791.				
26399	7:00- 8:50AM	MW	Juntilla,T	(Honors Section) LA104	27879	1:00- 2:50PM	MW	Danielo,J	LA201
26400	11:00-12:50PM	MW	Shah,N	MP211	Students who select this section of ENGL 100 must also enroll in ENGL 5L #27792.				
26401	9:00-10:50AM	Th	STAFF	(HYBRID) MP211	27881	1:00- 2:50PM	MW	Cole,E	LC213
Note: A portion of the hours for this class will be online.					Students who select this section of ENGL 100 must also enroll in ENGL 5L #27794.				
27866	9:00-10:20AM	MW	Gonzales,J	(HYBRID) LA201	This is an AIME-designated course, and you must be enrolled in the AIME program to take this course				
A PORTION OF THE HOURS FOR THIS CLASS WILL BE ONLINE. Students who select this section of ENGL 100 must also enroll in ENGL 5L #27780.					27885	7:00- 8:50PM	MW	STAFF	LA201
27867	9:00-10:50AM	MW	STAFF	LC213	Students who select this section of ENGL 100 must also enroll in ENGL 5L #27798.				
Students who select this section of ENGL 100 must also enroll in ENGL 5L #27781.					27887	8:00- 9:50AM	TTh	Alvarez,L	LA202
26402	9:00-10:50AM	TTh	Mitchell-Lambert,J	FA134	Students who select this section of ENGL 100 must also enroll in ENGL 5L #27800.				
Targeted for Future Teachers but Open to all Students					27888	8:00- 9:50AM	TTh	Quaas-Berryman,F	(PUENTE) LA203
25967	11:00-12:50PM	M	Gardner,D	(HYBRID) LA203	Students who select this section of ENGL 100 must also enroll in ENGL 5L #27801.				
Note: A portion of the hours for this class will be online.					This ENGL 100 class is part of the Puente Learning Community, which includes ENGL 5L #27801 and COUN 200 #22519. For additional information on PUENTE, please contact the program counselor Gustavo Romero at gromero@cerritos.edu.				
This ENGL 100 class is part of the FYE Business House Learning Community, which includes BA 100 #21250, COUN 200 #26201, MATH 114 #22806, and MATH 5 #29021. To enroll in the learning community, please complete this contract http://cms.cerritos.edu/lcp/FYE_Contract_Page.htm .					27889	8:00- 9:50AM	TTh	STAFF	LA201
25969	4.0 HRS ARR	(OL)	Cagnolatti,D	ONLINE	Students who select this section of ENGL 100 must also enroll in ENGL 5L #27802.				
Mandatory Orientation: 2:00 - 4:00 p.m., Friday - August 17					27890	1:00- 2:50PM	T	Hua,L	(HYBRID) LA106
26403	11:00-12:50PM	W	Gardner,D	(HYBRID) LA203	Students who select this section of ENGL 100 must also enroll in ENGL 5L #27803.				
Note: A portion of the hours for this class will be online.					This is an AIME-designated course, and you must be enrolled in the AIME program to take this course				
26031	11:00-12:50PM	MW	STAFF	CB103	27891	1:00- 2:50PM	Th	Hua,L	(HYBRID) LA106
26404	9:00-10:50AM	W	Quaas-Berryman,F	(HYBRID) LA203	Students who select this section of ENGL 100 must also enroll in ENGL 5L #27804.				
Note: A portion of the hours for this class will be online.					27892	11:00-12:50PM	TTh	STAFF	LC213
26405	9:00-10:50AM	TTh	Gaik,F	LA104	Students who select this section of ENGL 100 must also enroll in ENGL 5L #27805.				
26406	2:00- 3:50PM	MW	STAFF	LA202					
21289	5:00- 6:50PM	TTh	STAFF	LA105					
26456	5:00- 6:50PM	MW	STAFF	LA204					
26457	1:00- 2:50PM	M	STAFF	(HYBRID) LA203					
Note: A portion of the hours for this class will be online.									
26458	1:00- 2:50PM	MW	STAFF	MC102					
26511	11:00-12:50PM	TTh	STAFF	LA201					
This is an AIME-designated course, and you must be enrolled in the AIME program to take this course									
22736	6:00- 7:50PM	MW	STAFF	LA105					
27318	7:00- 8:50AM	TTh	STAFF	LM20*					
This class is being held at our satellite campus. La Mirada Center, 15310 Alondra Blvd., La Mirada, 90638 in classroom #20									
27319	9:00-12:50PM	F	STAFF	LM20*					
This class is being held at our satellite campus. La Mirada Center, 15310 Alondra Blvd., La Mirada, 90638 in classroom #20									

Students not in attendance or late for the first class are subject to drop.

Class#	Time	Day	Instructor	Room	Class#	Time	Day	Instructor	Room
27893	11:00-12:50PM	TTh	STAFF	LA202	29178	1:00- 2:50PM	T	Clifford,S (HYBRID)	LA201
	Students who select this section of ENGL 100 must also enroll in ENGL 5L #27806.					A PORTION OF THE HOURS FOR THIS CLASS WILL BE ONLINE. Students who select this section of ENGL 100 must also enroll in ENGL 5L #29138.			
27894	1:00- 2:50PM	TTh	Danielo,J	SS138	29179	1:00- 2:50PM	Th	Clifford,S (HYBRID)	LA201
	Students who select this section of ENGL 100 must also enroll in ENGL 5 #27807.					A PORTION OF THE HOURS FOR THIS CLASS WILL BE ONLINE. Students who select this section of ENGL 100 must also enroll in ENGL 5L #29139.			
27895	1:00- 2:50PM	TTh	Olague,M	HS103	29180	1:00- 2:50PM	MW	STAFF	CB103
	Students who select this section of ENGL 100 must also enroll in ENGL 5L #27808.					Students who select this section of ENGL 100 must also enroll in ENGL 5L #29140.			
27896	2:00- 3:50PM	TTh	Cagnolatti,D	LA203	29181	4:00- 5:50PM	MW	STAFF	LA106
	Students who select this section of ENGL 100 must also enroll in ENGL 5L #27809.					Students who select this section of ENGL 100 must also enroll in ENGL 5L #29141.			
	This ENGL 100 class is part of the UMOJA Learning Community, which includes ENGL 5L #27809 and COUN 200 #25579. For additional information on UMOJA, please complete this interest form https://forms.gle/8UFCq2SDnMjrlF6v7 and UMOJA will contact you.					29182 4:00- 5:50PM MW STAFF LA201 Students who select this section of ENGL 100 must also enroll in ENGL 5L #29142.			
27898	1:00- 2:50PM	TTh	Cole,E	MCIS207	29183 6:00- 7:50PM MW STAFF LA202	Students who select this section of ENGL 100 must also enroll in ENGL 5L #29143.			
	Students who select this section of ENGL 100 must also enroll in ENGL 5L #27811.					29184 5:00- 6:50PM MW STAFF LA210 Students who select this section of ENGL 100 must also enroll in ENGL 5L #29144.			
27899	4:00- 5:50PM	TTh	STAFF	LA201	29185 7:00- 8:50PM MW STAFF LA204	Students who select this section of ENGL 100 must also enroll in ENGL 5L #29145.			
	Students who select this section of ENGL 100 must also enroll in ENGL 5L #27812.					29186 7:00- 8:50PM MW STAFF LA205 Students who select this section of ENGL 100 must also enroll in ENGL 5L #29146.			
27902 7:00- 8:50PM TTh STAFF LA202	Students who select this section of ENGL 100 must also enroll in ENGL 5L #27815.					29187 7:00- 8:50PM MW STAFF LA203 Students who select this section of ENGL 100 must also enroll in ENGL 5L #29147.			
27903 7:00- 8:50PM TTh STAFF LA204	Students who select this section of ENGL 100 must also enroll in ENGL 5L #27816.					29188 7:00- 8:50PM MW STAFF LA210 Students who select this section of ENGL 100 must also enroll in ENGL 5L #29148.			
27905 7:00- 8:50PM TTh STAFF LA205	Students who select this section of ENGL 100 must also enroll in ENGL 5L #27818.					29189 7:00- 8:50PM MW STAFF LA211 Students who select this section of ENGL 100 must also enroll in ENGL 5L #29149.			
27906	9:00-10:50AM	MW	STAFF	LM20*	29190 7:00- 8:50PM MW STAFF LA212	Students who select this section of ENGL 100 must also enroll in ENGL 5L #29150.			
	Students who select this section of ENGL 100 must also enroll in ENGL 5L #27819.					29191 7:00- 8:50PM MW STAFF LA106 Students who select this section of ENGL 100 must also enroll in ENGL 5L #29151.			
	This class is being held at our satellite campus. La Mirada Center, 15310 Alondra Blvd., La Mirada, 90638 in classroom #20					29192 8:00- 9:50AM TTh STAFF LC134 Students who select this section of ENGL 100 must also enroll in ENGL 5L #29152.			
2790	1:00- 2:50PM	MW	STAFF	LM20*	29193	8:00- 9:50AM	TTh	STAFF	CB103
	Students who select this section of ENGL 100 must also enroll in ENGL 5L #27820.					Students who select this section of ENGL 100 must also enroll in ENGL 5L #29153.			
	This class is being held at our satellite campus. La Mirada Center, 15310 Alondra Blvd., La Mirada, 90638 in classroom #20					29194 8:00- 9:50AM TTh STAFF BE106 Students who select this section of ENGL 100 must also enroll in ENGL 5L #29154.			
27909	9:00-10:50AM	TTh	STAFF	LM20*	29195	11:00-12:50PM	TTh	STAFF	LA204
	Students who select this section of ENGL 100 must also enroll in ENGL 5L #27822.					Students who select this section of ENGL 100 must also enroll in ENGL 5L #29155.			
	This class is being held at our satellite campus. La Mirada Center, 15310 Alondra Blvd., La Mirada, 90638 in classroom #20					29196 11:00-12:50PM TTh STAFF LC134 Students who select this section of ENGL 100 must also enroll in ENGL 5L #29156.			
27912	1:00- 2:50PM	MW	STAFF (HYBRID)	SS137	29197	11:00-12:50PM	TTh	STAFF	CB103
	Note: Students who select this section of ENGL 100 must also enroll in ENGL 5L #27825.					Students who select this section of ENGL 100 must also enroll in ENGL 5L #29157.			
28702	9:00-12:50PM	Sat	STAFF	LA106	29198	11:00-12:50PM	TTh	STAFF	S 104
28768	4.0 HRS ARR (OL)		Gaik,F	ONLINE		Students who select this section of ENGL 100 must also enroll in ENGL 5L #29158.			
	MANDATORY ORIENTATION: The instructor will provide guidelines and deadlines. Please check your email and Canvas for information.					29199 1:00- 2:50PM TTh STAFF BC 47 Students who select this section of ENGL 100 must also enroll in ENGL 5L #29159.			
28816	4.0 HRS ARR (OL)		Gaik,F	ONLINE	29200	1:00- 2:50PM	TTh	STAFF	MCIS211
	MANDATORY ORIENTATION: The instructor will provide guidelines and deadlines. Please check your email and Canvas for information.					Students who select this section of ENGL 100 must also enroll in ENGL 5L #29160.			
29171	7:00- 8:20AM	MWF	STAFF	LA201	29201	4:00- 5:50PM	TTh	STAFF	LA106
	Students who select this section of ENGL 100 must also enroll in ENGL 5L #29131.					Students who select this section of ENGL 100 must also enroll in ENGL 5L #29161.			
29172	8:00- 9:50AM	MW	STAFF	LA202	29203	3:00- 4:50PM	TTh	STAFF	LA205
	Students who select this section of ENGL 100 must also enroll in ENGL 5L #29132.					Students who select this section of ENGL 100 must also enroll in ENGL 5L #29163.			
29173	8:00- 9:50AM	MW	STAFF	SS139	29204 7:00- 8:50PM TTh STAFF LA203	Students who select this section of ENGL 100 must also enroll in ENGL 5L #29164.			
	Students who select this section of ENGL 100 must also enroll in ENGL 5L #29133.								
29174	8:00- 9:50AM	MW	STAFF	SS214					
	Students who select this section of ENGL 100 must also enroll in ENGL 5L #29134.								
29175	11:00-12:50PM	M	Serwin,L (HYBRID)	LA202					
	Students who select this section of ENGL 100 must also enroll in ENGL 5L #29136.								
	This is an AIME-designated course, and you must be enrolled in the AIME program to take this course								
29176	11:00-12:50PM	W	Hua,L (HYBRID)	LA202					
	Students who select this section of ENGL 100 must also enroll in ENGL 5L #29137.								
29177	11:00-12:50PM	MW	STAFF	SS214					
	Students who select this section of ENGL 100 must also enroll in ENGL 5L #29135.								

Students not in attendance or late for the first class are subject to drop.

Class#	Time	Day	Instructor	Room	Class#	Time	Day	Instructor	Room
29205	7:00- 8:50PM	TTh	STAFF	LA210	26414	8:00- 9:15AM	MW	STAFF	LA205
	Students who select this section of ENGL 100 must also enroll in ENGL 5L #29165.				20215	9:30-10:45AM	TTh	STAFF	SS314
29206	7:00- 8:50PM	TTh	STAFF	LA212	20216	12:30- 1:45PM	TTh	STAFF	LA103
	Students who select this section of ENGL 100 must also enroll in ENGL 5L #29166.				25970	7:00- 9:50PM	T	STAFF	LA103
29207	7:00- 8:50PM	TTh	STAFF	LA110	20217	1:00- 2:15PM	TTh	STAFF	LA104
	Students who select this section of ENGL 100 must also enroll in ENGL 5L #29167.				24545	7:00- 9:50PM	M	STAFF	LA103
29208	7:00- 8:50PM	TTh	STAFF	LC134	24546	7:00- 9:50PM	W	STAFF	LA103
	Students who select this section of ENGL 100 must also enroll in ENGL 5L #29168.				21235	9:30-10:45AM	TTh	Olague,M	BE116
29210	7:00- 8:50PM	TTh	STAFF	LC213	21237	3.0 HRS ARR	(OL)	STAFF	ONLINE
	Students who select this section of ENGL 100 must also enroll in ENGL 5L #29170.				Orientation must be completed on Canvas no later than 11:55 pm on 8/19/2019 to remain enrolled.				
29211	1:00- 2:50PM	W	STAFF (HYBRID)	LA203	22066	1:00- 2:15PM	MW	STAFF	LA104
	Note: A portion of the hours for this class will be online.				24547	11:00-12:15PM	TTh	STAFF	BE105
29438	9:00-10:50AM	TTh	Gonzales,J	MC102	21475	7:00- 9:50PM	Th	STAFF	LA103
	This class is targeted for ESL students but open to all students. Students who select this section of ENGL 100 must also enroll in ENGL 5L #29437.				25971	9:00-11:50AM	F	STAFF	LA201
23466	4.8 HRS ARR	(OL)	Kalt,K	ONLINE	26409	9:00-11:50AM	F	STAFF	SS225
	The orientation for this class will be online. The instructor will contact students prior to the start of the semester with instructions. Class# 23466 meets 09/09/2019-12/20/2019				27251	11:00-12:15PM	MW	STAFF	LA212
28236	4.8 HRS ARR	(OL)	Gardner,D	ONLINE	21605	4:00- 5:15PM	MW	STAFF	LA202
	Mandatory Orientation must be completed on Canvas no later than 11:55 p.m. on 09/09/2019 to remain enrolled. Class# 28236 meets 09/09/2019-12/20/2019				27304	12:30- 1:45PM	MW	STAFF	LA205
28817	4.8 HRS ARR	(OL)	STAFF	ONLINE	26521	12:30- 1:45PM	TTh	Cheatham,T	LA203
	MANDATORY ORIENTATION: The instructor will provide guidelines and deadlines. Please check your email and Canvas for information. Class# 28817 meets 09/09/2019-12/20/2019				26408	3.6 HRS ARR	(OL)	Lovejoy-Robold,N	ONLINE
22346	8.0 HRS ARR	(OL)	Kalt,K	ONLINE	Mandatory Orientation: 8:00 - 10:00 a.m., Friday - 9/6/19 in LA103. Class# 26408 meets 09/09/2019-12/18/2019				
	Mandatory orientation on Canvas which must be completed no later than 11:55 pm on 8/19/19 to remain enrolled in the class. Class# 22346 meets 08/19/2019-10/18/2019				26413	9:00-12:05PM	Sat	STAFF	LA109
21781	8.0 HRS ARR	(OL)	Danielo,J	ONLINE	Class# 26413 meets 08/24/2019-12/14/2019				
	Mandatory orientation on Canvas which must be completed no later than 11:55 pm on 8/19/19 to remain enrolled in the class. Class# 21781 meets 08/19/2019-10/18/2019				28703	9:00-12:05PM	Sat	STAFF	LA201
25191	8.0 HRS ARR	(OL)	Kalt,K	ONLINE	Class# 28703 meets 08/24/2019-12/14/2019				
	Mandatory orientation on Canvas which must be completed no later than 11:55 pm on 8/19/19 to remain enrolled in the class. Class# 25191 meets 10/21/2019-12/20/2019				21474	6.0 HRS ARR	(OL)	STAFF	ONLINE
22452	7:00-10:50AM	MW	Cheatham,T	MP209	Orientation will take place on the first day of classes, 8/19/19. See email announcement the weekend before the start of classes for instructions. Class# 21474 meets 08/19/2019-10/18/2019				
	Targeted for Future Teachers but Open to all Students Class# 22452 meets 08/19/2019-10/16/2019				21476	6.0 HRS ARR	(OL)	STAFF	ONLINE
24115	7:00-10:50AM	TTh	Cheatham,T	MC103	Orientation will take place on the first day of classes, 10/21/19. See email announcement the weekend before the start of classes for instructions. Class# 21476 meets 10/21/2019-12/20/2019				
	Class# 24115 meets 08/20/2019-10/17/2019				27771	7:00- 9:50AM	TTh	Cheatham,T	CB104
25091	7:00-10:50AM	MW	Cheatham,T	MP209	Class# 27771 meets 10/22/2019-12/19/2019				
	Class# 25091 meets 10/21/2019-12/18/2019				ENGL 107 - 3.0 UNITS VOCABULARY BUILDING				
27455	7:20- 8:45AM	TThF	STAFF	BELF*	Transferable to CSU				
	Class# 27455 meets 09/10/2019-12/20/2019				25480	3.0 HRS ARR	(OL)	STAFF	ONLINE
28701	2:15- 3:35PM	MWF	STAFF	BELF*	Mandatory orientation must be completed online by 11:00am on Monday, August 19th to remain enrolled.				
	Class# 28701 meets 09/09/2019-12/13/2019				ENGL 110 - 4.0 UNITS CRITICAL THINKING THROUGH LITERATURE				
ENGL 102 - 3.0 UNITS FRESHMAN COMPOSITION AND LITERATURE					Transferable to UC, CSU				
Transferable to UC, CSU (CAN ENGL 4)					Prerequisite: Completion of ENGL 100 or equivalent with a grade of "C" or higher or "Pass."				
Prerequisite: ENGL 100 or equivalent with a grade of Pass or "C" or higher.					29212	8:00- 9:50AM	MW	Gardner,D (Honors Section)	LA204
20210	3:00- 4:15PM	MW	STAFF	LA203	29214	11:00-12:50PM	MW	Alvarez,L	LA106
24543	1:00- 2:15PM	TTh	STAFF	MP209	29215	1:00- 2:50PM	MW	Clifford,S	LA204
24544	9:30-10:45AM	TTh	STAFF	SS137	ENGL 222 - 3.0 UNITS CHILDREN'S LITERATURE				
27770	1:00- 2:15PM	MW	Mitchell-Lambert,J	MP209	Transferable to UC, CSU				
	Targeted for Future Teachers but Open to all Students				Prerequisite: Completion of ENGL 52, or ENGL 72 or ESL 152 or equivalent with a grade of "C" or higher, or "Pass," or completion of the English Placement Process with eligibility for ENGL 100.				
ENGL 103 - 3.0 UNITS CRITICAL AND ARGUMENTATIVE WRITING					26293				
Transferable to UC, CSU					3.0 HRS ARR				
Prerequisite: ENGL 100 or equivalent with a grade of Pass or "C" or higher or satisfactory completion of the Advanced Placement English Examination of the College Entrance Examination Board.					Cole,E				
26407	7:00- 9:50PM	Th	STAFF	LA201	MANDATORY ORIENTATION will be conducted online. Instructor will contact enrolled students.				
20212	5:00- 7:50PM	MW	STAFF	MP209	ENGL 224 - 3.0 UNITS NATIVE AMERICAN LITERATURE				
22347	11:00-12:15PM	TTh	STAFF	LA203	Transferable to UC, CSU				
20213	9:00-10:15AM	MW	STAFF	BE110	Prerequisite: Completion of ENGL 52, or ENGL 72 or ESL 152 or equivalent with a grade of "C" or higher, or "Pass," or completion of the English Placement Process with eligibility for ENGL 100.				
22584	7:00- 9:50PM	T	STAFF	LA201	29217	1:00- 2:15PM	MW	Sartin,N	LA105
22585	3.0 HRS ARR	(OL)	Cagnolatti,D	ONLINE	ENGL 225 - 3.0 UNITS MEXICAN LITERATURE IN TRANSLATION				
	Mandatory Orientation: You must complete the online orientation through Canvas by 11:59pm on Monday, August 19th. If you do not complete the orientation, you will be dropped.				Transferable to UC, CSU				
					Prerequisite: ENGL 52 or ENGL 72 or ESL 152 or equivalent with a grade of "C" or higher, or "Pass," or completion of the English placement process with eligibility for ENGL 100.				
					27773	3:00- 4:15PM	MW	Olague,M	LA205

Students not in attendance or late for the first class are subject to drop.

Class#	Time	Day	Instructor	Room	Class#	Time	Day	Instructor	Room
--------	------	-----	------------	------	--------	------	-----	------------	------

ENGL 228 - 3.0 UNITS SHAKESPEARE'S PLAYS

Transferable to UC, CSU
Prerequisite: Completion of ENGL 52, or ENGL 72 or ESL 152 or equivalent with a grade of "C" or higher, or "Pass," or completion of the English Placement Process with eligibility for ENGL 100.

25481 3:6 HRS ARR Gardner,D ONLINE
Class# 25481 meets 09/10/2019-12/19/2019
MANDATORY ORIENTATION must be completed on Canvas to remain enrolled.

ENGL 230A - 3.0 UNITS INTRODUCTION TO AMERICAN LITERATURE

Transferable to UC, CSU (CAN ENGL 14)
Prerequisite: Completion of ENGL 52, or ENGL 72 or ESL 152 or equivalent with a grade of "C" or higher, or "Pass," or completion of the English Placement Process with eligibility for ENGL 100.

23471 9:30-10:45AM TTh Kalt,K LA204

ENGL 234 - 3.0 UNITS READINGS IN SHORT FICTION

Transferable to UC, CSU (CAN ENGL 18)
Prerequisite: Completion of ENGL 52, or ENGL 72 or ESL 152 or equivalent with a grade of "C" or higher, or "Pass," or completion of the English Placement Process with eligibility for ENGL 100.

26963 12:30- 1:45PM TTh Alvarez,L LA205

ENGL 236 - 3.0 UNITS STUDIES IN WOMEN'S LITERATURE

Transferable to UC, CSU
Prerequisite: Completion of ENGL 52, or ENGL 72 or ESL 152 or equivalent with a grade of "C" or higher, or "Pass," or completion of the English Placement Process with eligibility for ENGL 100.

29218 1:00- 2:30PM TTh Fagundes,M LA105
Class# 29218 meets 09/10/2019-12/19/2019

ENGL 240 - 3.0 UNITS CREATIVE WRITING

Transferable to UC, CSU (CAN ENGL 6)
Prerequisite: ENGL 52 or ENGL 72 or ESL 152 or equivalent with a grade of "C" or higher, or of "Pass", or completion of the English placement process with eligibility for ENGL 100.

20220 5:00- 6:15PM MW Danielo,J LA205

ENGL 241 - 3.0 UNITS SCREENWRITING

Transferable to UC, CSU
Prerequisite: Completion of ENGL 52, or ENGL 72 or ESL 152 or equivalent with a grade of "C" or higher, or "Pass," or completion of the English Placement Process with eligibility for ENGL 100.

20692 2:30- 3:45PM TTh Greene,C LA204

ENGL 246A - 3.0 UNITS SURVEY OF BRITISH LITERATURE A: ANGLO-SAXON TO 18TH CENTURY

Transferable to UC, CSU (CAN ENGL 8)
Prerequisite: Completion of English 100 or equivalent with a grade of "C" or higher, or "Pass," or completion of the English Placement Process.

20221 11:00-12:30PM MW Clifford,S LA204
Class# 20221 meets 09/09/2019-12/18/2019

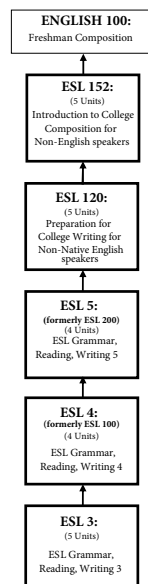
ENGL 248A - 3.0 UNITS MASTERPIECES OF WORLD LITERATURE

Transferable to UC, CSU
Prerequisite: Completion of ENGL 52, or ENGL 72 or ESL 152 or equivalent with a grade of "C" or higher, or "Pass," or completion of the English Placement Process with eligibility for ENGL 100.

20694 9:30-11:00AM TTh Greene,C LA205
Class# 20694 meets 09/10/2019-12/19/2019

ENGLISH AS A SECOND LANGUAGE

CREDIT ESL COURSE SEQUENCE



ESL CORE COURSES

ESL core classes emphasize grammar, reading, and writing. Our core course prepares non-native English students who plan to get a certificate, AA degree, or take college-level courses. Students need to take the ESL Accuplacer test in the Assessment Center. Placement in a core course is based on the score of the assessment test. The Accuplacer test for native speakers of English may NOT be substituted for placement in ESL core courses.

SUPPLEMENTAL ESL CLASSES

To gain fluency and confidence in English, it is important that ESL students develop all areas of language. Supplemental ESL classes target the development of specific skill areas. Students may take ESL supplemental classes along with ESL core courses or individually.

Listening & Speaking classes: ESL 7: Beginning Speaking and Listening (1.5 units), ESL 10: Intermediate Speaking and Listening (3 units), ESL 20: Advanced Speaking and Listening (3 units)

Pronunciation classes: ESL 12: Beginning Pronunciation (1.5 units), ESL 14: Pronunciation Plus (3.0 units)

Vocabulary, Spelling, and Idioms classes: ESL 21A: Intermediate Vocabulary (3.0 units), ESL 21B: Advanced Vocabulary (3.0 units), ESL 32: American Idioms (1.5 units); ESL 23: Spelling (1.5 units)

Editing: ESL 35 Advanced Editing (1.5 units)

TOEFL: ESL 57 Preparation for the Test of English as a Foreign Language (3.0 units)

ESL 3 - 5.0 UNITS ESL GRAMMAR, READING, AND WRITING 3

Not Transferable
Prerequisite: Satisfactory completion of the English As a Second Language Placement Process or ESL 2 or equivalent with a grade of Pass or "C" or higher.

22678 9:00-11:50AM MW Sugihara-Cheetham,J LA109
Class# 22678 meets 09/09/2019-12/18/2019

ESL 4 - 4.0 UNITS ESL GRAMMAR, READING AND WRITING 4

Not Transferable
Prerequisite: ESL 3 with a grade of Pass or "C" or higher or qualifying score on the ESL placement test for ESL 4.

27777 9:00-10:50AM MW STAFF LA110
+ 1.0 HRS ARR STAFF LC205
LAB IS ONE HOUR PER WEEK IN THE SUCCESS CENTER

Students not in attendance or late for the first class are subject to drop.

Class#	Time	Day	Instructor	Room	Class#	Time	Day	Instructor	Room
26023	7:00- 9:10PM + 1.2 HRS ARR	TTh	STAFF STAFF	LA106 LC205	ESL 152 - 5.0 UNITS INTRODUCTION TO COLLEGE COMPOSITION FOR NON-NATIVE ENGLISH S Transferable to UC, CSU Prerequisite: Completion of the English as a Second Language placement process with a qualifying score for ESL 152 or completion of ESL 120 or equivalent with a grade of Pass or "C" or higher.				
LAB IS 1.2 HOURS PER WEEK IN THE SUCCESS CENTER Class# 26023 meets 09/09/2019-12/18/2019					27913	7:00- 9:50PM	MW	Mcllroy,L Mcllroy,L	(HYBRID) LA110 LC205
ESL 5 - 4.0 UNITS GRAMMAR, READING, AND WRITING 5 Not Transferable Prerequisite: Completion of the English as a Second Language Placement Process with an eligible score for ESL 5 or ESL 200 or completion of ESL 4 or ESL 100 with a grade of Pass or "C" or higher.					Targeted for Future Teachers but Open to all Students LAB IS 1.2 HOURS PER WEEK IN THE SUCCESS CENTER Targeted for Future Teachers but Open to all Students Class# 27913 meets 09/09/2019-12/18/2019				
23605	9:00-10:50AM + 1.0 HRS ARR	TTh	Sugihara-Cheetham,J Sugihara-Cheetham,J	LA109 LC205	25488	12:30- 3:20PM + 1.2 HRS ARR	TTh	Mcllroy,L Mcllroy,L	LA110 LC205
LAB IS ONE HOUR PER WEEK IN THE SUCCESS CENTER					LAB IS ONE HOUR PER WEEK IN THE SUCCESS CENTER Class# 25488 meets 09/10/2019-12/19/2019				
25228	7:00- 9:15PM + 1.2 HRS ARR	TTh	STAFF STAFF	LA109 LC205	26973	11:00- 2:20PM + 2.0 HRS ARR	MWF	Mcllroy,L Mcllroy,L	LA110 LC205
LAB IS 1.2 HOURS PER WEEK IN THE SUCCESS CENTER Class# 25228 meets 09/10/2019-12/19/2019					Targeted for Future Teachers but Open to all Students LAB IS 2.0 HOURS PER WEEK IN THE SUCCESS CENTER Targeted for Future Teachers but Open to all Students Class# 26973 meets 10/21/2019-12/20/2019				
ESL 10 - 3.0 UNITS ESL SPEAKING AND LISTENING 1 Not Transferable									
26970	12:30- 2:05PM	MW	Sugihara-Cheetham,J	LA109					
Class# 26970 meets 09/10/2019-12/19/2019									
ESL 11 - 1.5 UNITS ESL READING 1 Not Transferable									
25626	3.0 HRS ARR	(OL)	Berry,P	ONLINE					
Please see the course syllabus in Canvas for the orientation materials. Class# 25626 meets 08/19/2019-10/18/2019									
ESL 12 - 1.5 UNITS ESL PRONUNCIATION Not Transferable									
29219	11:00-12:30PM	TTh	STAFF	LA110					
Class# 29219 meets 08/20/2019-10/17/2019									
ESL 14 - 3.0 UNITS PRONUNCIATION PLUS Not Transferable									
23479	3.6 HRS ARR	(OL)	Berry,P	ONLINE					
Please see the course syllabus in Canvas for the orientation materials. Class# 23479 meets 09/09/2019-12/20/2019									
ESL 21B - 3.0 UNITS ESL ADVANCED VOCABULARY Not Transferable									
28008	3.6 HRS ARR	(OL)	Berry,P	ONLINE					
Please see the course syllabus in Canvas for the orientation materials. Class# 28008 meets 09/09/2019-12/20/2019									
ESL 31 - 1.5 UNITS ESL READING 2 Not Transferable									
25629	3.0 HRS ARR	(OL)	Berry,P	ONLINE					
Please see the course syllabus in Canvas for the orientation materials. Class# 25629 meets 10/21/2019-12/20/2019									
ESL 35 - 1.5 UNITS EDITING ADVANCED GRAMMAR/SYNTAX Not Transferable									
29220	11:00-12:30PM	TTh	STAFF	LA110					
Class# 29220 meets 10/22/2019-12/19/2019									
ESL 120 - 5.0 UNITS PREPARATION FOR COLLEGE WRITING FOR NON-NATIVE ENGLISH SPEAK Transferable to UC, CSU Prerequisite: Completion of the English as a Second Language placement process with a qualifying score for ESL 120 or completion of ESL 5, ESL 200, or equivalent with a grade of Pass or "C" or higher.									
23697	8:30-10:50AM + 1.0 HRS ARR	TTh	STAFF STAFF	LA110 LC205					
LAB IS ONE HOUR PER WEEK IN THE SUCCESS CENTER									
23699	7:00- 9:50PM + 1.2 HRS ARR	MW	STAFF STAFF	LA109 LC205					
LAB IS 1.2 HOURS PER WEEK IN THE SUCCESS CENTER Class# 23699 meets 09/09/2019-12/18/2019									
29221	12:30- 3:20PM + 1.2 HRS ARR	TTh	STAFF STAFF	LA109 LC205					
LAB IS 1.2 HOURS PER WEEK IN THE SUCCESS CENTER Class# 29221 meets 09/10/2019-12/19/2019									
26971	11:00- 2:10PM + 2.0 HRS ARR	MWF	Mcllroy,L Mcllroy,L	LA110 LC205					
LAB IS 2.0 HOURS PER WEEK IN THE SUCCESS CENTER Class# 26971 meets 08/19/2019-10/18/2019									

FILM

FILM 101 - 3.0 UNITS MOTION PICTURE PRODUCTION

Transferable to CSU

NOTE: a material fee of \$40.00 is required for FILM 101

21843	5:00- 7:00PM	W	Stoltz,M	FA136
	7:00-10:50PM	W	Stoltz,M	FA139
28218	10:00-12:00PM	W	Turowski,K	FA136
	12:00- 3:50PM	W	Turowski,K	FA139
29423	12:00- 1:00PM	M	Hirohama,S	(HYBRID) FA136
	1:00- 3:50PM	M	Hirohama,S	(HYBRID) FA139

FILM 102 - 3.0 UNITS TELEVISION PRODUCTION

Transferable to CSU

NOTE: a material fee of \$40.00 is required for FILM 102

28238	10:00-11:00AM	F	Karshmer,A	FA136
	11:00- 3:50PM	F	Karshmer,A	FA139

FILM 103 - 3.0 UNITS TELEVISION COMMERCIAL AND PUBLIC SERVICE ANNOUNCEMENT PRODUCTION

Transferable to CSU

Prerequisite: FILM 101 or FILM 102 or equivalent with a grade of Pass or "C" or higher

NOTE: a material fee of \$40.00 is required for FILM 103

26182	10:00-12:00PM	F	Karshmer,A	FA136
	12:00- 3:50PM	F	Karshmer,A	FA139
29425	5:00- 6:00PM	TTh	Hirohama,S	FA136
	6:00- 7:50PM	TTh	Hirohama,S	FA139

FILM 104 - 3.0 UNITS MOTION PICTURE AND DIGITAL CINEMATOGRAPHY

Transferable to CSU

Prerequisite: FILM 101 or equivalent with a grade of Pass or "C" or higher

NOTE: a material fee of \$40.00 is required for FILM 104

29427	5:00- 7:00PM	F	STAFF	FA136
	7:00-10:50PM	F	STAFF	FA139
29429	10:00-12:10PM	Sat	STAFF	FA136
	12:10- 4:45PM	Sat	STAFF	FA139
Class# 29429 meets 08/24/2019-12/14/2019				

FILM 107 - 3.0 UNITS MOTION PICTURE EDITING

Transferable to CSU

27105	9:00-10:00AM	TTh	Tanori,B	FA136
	10:00-12:00PM	TTh	Tanori,B	FA139

Students not in attendance or late for the first class are subject to drop.

Class#	Time	Day	Instructor	Room	Class#	Time	Day	Instructor	Room
FILM 241 - 3.0 UNITS SCREENWRITING Transferable to UC, CSU Prerequisite: Completion of ENGL 52, ENGL 72, ESL 152 or equivalent with a grade of Pass or "C" or higher, or completion of the English Placement Process with eligibility for ENGL 100.									
23435	3:00- 6:30PM	F	Campolo,R	(HYBRID) BC 47					
Note: This is a HYBRID course – a portion of the class hours are taught online. Mandatory in-person orientation: 3:00-6:30 p.m., in BC-47, Friday, September 7. Please check Canvas or instructor website for more information: http://www.cerritos.edu/rcampolo (instructor e-mail address: rcampolo@cerritos.edu). Class# 23435 meets 09/13/2019-12/20/2019									
FILM 256 - 3.0 UNITS DOCUMENTARY FILM AND REALITY TELEVISION PRODUCTION Transferable to CSU Prerequisite: FILM 101 and FILM 102 or equivalent with grades of Pass or "C" or higher. NOTE: a material fee of \$40.00 is required for FILM 256									
26844	5:00- 7:00PM	TTh	Hirohama,S	SS224					
	7:00-10:50PM	TTh	Hirohama,S	SS225					
FILM 294 - 3.0 UNITS ADVANCED MOTION PICTURE PRODUCTION Transferable to CSU Prerequisite: FILM 101, FILM 104, and FILM 107 or equivalents with a grade of Pass or "C" or higher NOTE: a material fee of \$40.00 is required for FILM 294									
26846	5:00- 7:00PM	TTh	Hirohama,S	SS224					
	7:00-10:50PM	TTh	Hirohama,S	LC217					
29431	5:00- 6:00PM	M	Hirohama,S	FA136					
	6:00- 7:50PM	M	Hirohama,S	FA139					
FILM 299 - 2.0 UNITS DIRECTED STUDIES Transferable to CSU NOTE: a material fee of \$40.00 is required for FILM 299									
28917	7.2 HRS ARR		Hirohama,S	FA118					
Class# 28917 meets 09/09/2019-12/20/2019									

FINANCE

FIN 51 - 1.5 UNITS RETIREMENT PLANNING AND INVESTING Not Transferable NOTE: a material fee of \$2.50 is required for FIN 51									
21959	7:00- 9:50PM	T	Wang,C	(HYBRID) BE108					
Note: Class will meet the first day and the instructor will inform the students of future class meetings. Class# 21959 meets 10/22/2019-12/17/2019									
FIN 125 - 3.0 UNITS PERSONAL FINANCE Transferable to CSU NOTE: a material fee of \$4.00 is required for FIN 125									
21957	3.0 HRS ARR	(OL)	Moloney,P	ONLINE					
Note: Orientation and all class work are done online. Email instructor at pmoloney@cerritos.edu									
22127	3.0 HRS ARR	(OL)	Moloney,P	ONLINE					
Note: Orientation and all class work are done online. Email instructor at pmoloney@cerritos.edu									
21956	3.6 HRS ARR	(OL)	Korniakov,A	ONLINE					
Note: For class information and orientation, visit the Canvas website. Class# 21956 meets 09/09/2019-12/20/2019									
27371	3.6 HRS ARR	(OL)	Farina,M	ONLINE					
Note: For class information and orientation, visit the Canvas website. Class# 27371 meets 09/09/2019-12/20/2019									
27442	3.6 HRS ARR	(OL)	Alenikov,T	ONLINE					
Note: For class information and orientation, visit the Canvas website. Class# 27442 meets 09/09/2019-12/20/2019									
28284	3.6 HRS ARR	(OL)	Korniakov,A	ONLINE					
Note: For class information and orientation, visit the Canvas website. Class# 28284 meets 09/09/2019-12/20/2019									
FIN 126 - 3.0 UNITS INTRODUCTION TO STOCK MARKET AND INVESTMENTS Transferable to CSU									
21958	7:00- 9:50PM	W	Wang,C	SS141					

FRENCH

FREN 101 - 5.0 UNITS ELEMENTARY FRENCH Transferable to UC, CSU (CAN FREN 2)									
20233	12:30- 2:45PM	TTh	Florescu,M	LA213					
	+ 1.0 HRS ARR		Florescu,M	LC205					
LAB IS ONE HOUR PER WEEK IN THE SUCCESS CENTER									
20234	8:30-10:45AM	MW	Florescu,M	LA213					
	+ 1.0 HRS ARR		Florescu,M	LC205					
LAB IS ONE HOUR PER WEEK IN THE SUCCESS CENTER									
23952	7:00- 9:15PM	TTh	Nicolas,J	LA213					
	+ 1.0 HRS ARR		Nicolas,J	LC205					
LAB IS ONE HOUR PER WEEK IN THE SUCCESS CENTER									
29223	7:00- 9:15PM	MW	Nicolas,J	LA213					
	+ 1.0 HRS ARR		Nicolas,J	LC205					
LAB IS ONE HOUR PER WEEK IN THE SUCCESS CENTER									
FREN 102 - 5.0 UNITS ELEMENTARY FRENCH Transferable to UC, CSU (CAN FREN 4)									
Prerequisite: FREN 101 or equivalent with a grade of Pass or "C" or higher.									
20235	8:30-10:45AM	TTh	Florescu,M	LA213					
	+ 1.0 HRS ARR		Florescu,M	LC205					
LAB IS ONE HOUR PER WEEK IN THE SUCCESS CENTER									
FREN 201 - 5.0 UNITS INTERMEDIATE FRENCH Transferable to UC, CSU (CAN FREN 8)									
Prerequisite: FREN 102 or equivalent with a grade of Pass or "C" or higher.									
20236	11:00- 1:15PM	MW	Florescu,M	LA213					
	+ 1.0 HRS ARR		Florescu,M	LC205					
LAB IS ONE HOUR PER WEEK IN THE SUCCESS CENTER									
FREN 202 - 4.0 UNITS INTERMEDIATE FRENCH Transferable to UC, CSU (CAN FREN 10)									
Prerequisite: FREN 201 or equivalent with a grade of Pass or "C" or higher.									
20237	11:00-12:50PM	MW	Florescu,M	LA213					
FREN 203 - 4.0 UNITS INTERMEDIATE FRENCH ADVANCED LEVEL I Transferable to UC, CSU									
Prerequisite: FREN 202 or equivalent with a grade of Pass or "C" or higher.									
20238	11:00-12:50PM	MW	Florescu,M	LA213					

GEOGRAPHY

GEOG 101 - 3.0 UNITS PHYSICAL GEOGRAPHY Transferable to UC, CSU (CAN GEOG 2)									
22791	4:00- 6:50PM	W	Lo Vetere,C	S 101					
29010	7:00- 9:50PM	TTh	Conley,J	S 101					
20239	7:00- 9:50PM	W	Barajas,D	S 101					
20241	12:30- 1:45PM	TTh	Lo Vetere,C	S 101					
26913	8:00- 9:15AM	MW	Surfas,L	S 101					
23823	2:00- 3:15PM	TTh	Lo Vetere,C	S 101					
23998	9:30-10:45AM	TTh	Lo Vetere,C	S 101					
27055	7:00-9:50PM	F	Conley,J	S 101					
27452	4:00- 6:50PM	M	Conley,J	S 101					
29005	9:30-10:45AM	MW	Surfas,L	S 101					
GEOG 101L - 1.0 UNIT PHYSICAL GEOGRAPHY LABORATORY Transferable to UC, CSU									
Prerequisite: GEOG 101 or equivalent with a grade of "C" or higher or "Pass" or concurrent enrollment.									
21466	10:00-12:50PM	F	Lo Vetere,C	PST137					
One Friday through Sunday camping field trip and up to two Saturday or Sunday field trips are a required part of this course. The dates of the field trips will be announced at the first class meeting.									
21467	1:00- 3:50PM	F	Lo Vetere,C	PST143					
One Friday through Sunday camping field trip and up to two Saturday or Sunday field trips are a required part of this course. The dates of the field trips will be announced at the first class meeting.									
27056	4:00- 6:50PM	T	Lo Vetere,C	PST143					
Note: Up to two Saturday or Sunday field trips are a required part of this course. The dates of the field trips will be announced at the first class meeting.									
GEOG 102 - 3.0 UNITS CULTURAL GEOGRAPHY Transferable to UC, CSU (CAN GEOG 4)									
20242	2:00- 3:15PM	MW	Goode,R	S 101					

Students not in attendance or late for the first class are subject to drop.

Class#	Time	Day	Instructor	Room	Class#	Time	Day	Instructor	Room
23821	6.0 HRS ARR	(OL)	Goode,R	ONLINE					
Orientation: All class information will be available online via Canvas. Email address: rgoode@cerritos.edu Class# 23821 meets 08/19/2019-10/18/2019									
GEOG 103 - 3.0 UNITS ENVIRONMENTAL GEOGRAPHY Transferable to UC, CSU									
27659	7:00- 9:50PM	M	Barajas, D	S 101					
GEOG 105 - 3.0 UNITS WORLD REGIONAL GEOGRAPHY Transferable to UC, CSU									
23822	11:00-12:15PM	MW	Goode,R	S 101					
26914	3:30- 4:45PM	TTh	Goode,R	S 101					
27658	6.0 HRS ARR	(OL)	Goode,R	ONLINE					
Orientation: All class information will be available online via Canvas. Email address: rgoode@cerritos.edu Class# 27658 meets 10/21/2019-12/20/2019									
GEOG 298 - 1.0 UNIT DIRECTED STUDIES Transferable to CSU									
29006	3.0 HRS ARR		STAFF						

GEOLOGY

GEOG 101 - 4.0 UNITS PHYSICAL GEOLOGY Transferable to UC, CSU (CAN GEOL 2) Prerequisite: ENGL 52 or ENGL 72 or ESL 152 or equivalent with a grade of "C" or higher or "Pass" or completion of the English placement process with a score eligible for ENGL 100. Recommendation: MATH 40 or equivalent with a grade of "C" or higher or "Pass," or completion of the math placement process with a score eligible for MATH 60.									
20703	12:30- 2:00PM	MW	Lacy,T	PST143					
	2:00- 3:15PM	MW	Lacy,T	PST143					
Note: Three one-day Friday or Saturday or Sunday field trips are a required part of this course. Dates will be given the first day of class.									
21888	1:00- 2:30PM	TTh	Lacy,T	PST143					
	2:30- 3:45PM	TTh	Lacy,T	PST143					
Note: Three one-day Friday or Saturday or Sunday field trips are a required part of this course. Dates will be given the first day of class.									
27057	4:00- 5:30PM	MW	Berekian,B	PST143					
	5:30- 6:50PM	MW	Berekian,B	PST143					
Note: Three one-day Friday or Saturday or Sunday field trips are a required part of this course. Dates will be given the first day of class.									
GEOG 102 - 3.0 UNITS PHYSICAL GEOLOGY LECTURE Transferable to UC, CSU Recommendation: ENGL 52 or ENGL 72 or ESL 152 or equivalent with a grade of "C" or higher or "Pass," or completion of the English placement tests with a score eligible for ENGL 100; and MATH 40 with a grade of "C" or higher or "Pass," or completion of the Math placement test with a score eligible for Math 60.									
26469	12:30- 1:45PM	MW	Iwaz,N	S 101					
29011	7:00- 9:50PM	M	Amin,J	PST143					
GEOG 102L - 1.0 UNIT PHYSICAL GEOLOGY LABORATORY Transferable to UC, CSU Prerequisite: GEOG 102 or equivalent with a grade of "C" or higher or "Pass" or concurrent enrollment. Recommendation: ENGL 52 or ENGL 72 or ESL 152 or equivalent with a grade of "C" or higher or "Pass" or completion of the English placement process with a score eligible for ENGL 100; and MATH 40 or equivalent with a grade of "C" or higher or "Pass" or completion of the math placement process with a score eligible for MATH 60.									
29007	7:00- 9:50PM	W	Amin,J	PST143					
GEOG 103 - 3.0 UNITS ENVIRONMENTAL GEOLOGY LECTURE Transferable to UC, CSU Recommendation: ENGL 100 or equivalent with a grade of "C" or higher or "Pass" and MATH 40 or equivalent with a grade of "C" or higher or "Pass" or completion of the math placement process with a score eligible for MATH 60.									
29008	8:00-10:50AM	TTh	Iwaz,N	PST137					
Class# 29008 meets 10/21/2019-12/20/2019									

GEOL 204 - 3.0 UNITS GEOLOGY OF THE WESTERN NATIONAL PARKS AND MONUMENTS

Transferable to CSU
Recommendation: ENGL 52 or ENGL 72 or ESL 152 or equivalent with a grade of "C" or higher or "Pass" or completion of the English placement test with a score eligible for ENGL 100; and MATH 40 or equivalent with a grade of "C" or higher or "Pass" or completion of the Math placement test with a score eligible for Math 60.

29009	9:30-10:45AM	TTh	Lacy,T	PST143
-------	--------------	-----	--------	--------

GERMAN

GERM 101 - 5.0 UNITS ELEMENTARY GERMAN

Transferable to UC, CSU (CAN GERM 2)
22436 4:30- 6:45PM MW Salvilla,J SS214
+ 1.0 HRS ARR Salvilla,J LC205
LAB IS ONE HOUR PER WEEK IN THE SUCCESS CENTER
26977 4:30- 6:45PM TTh STAFF SS214
+ 1.0 HRS ARR STAFF LC205
LAB IS ONE HOUR PER WEEK IN THE SUCCESS CENTER

HEALTH EDUCATION

HED 100 - 3.0 UNITS CONTEMPORARY HEALTH PROBLEMS

Transferable to UC, CSU									
20246	12:30- 1:45PM	TTh	STAFF	K 206					
20856	3.0 HRS ARR	(OL)	Gonzalez,R	ONLINE					
Note: Online registered students must go to the Canvas class webpage for mandatory online orientation information.									
20248	11:00-12:15PM	MW	STAFF	K 204					
20249	3.0 HRS ARR	(OL)	Gonzalez,R	ONLINE					
Note: Online registered students must go to the Canvas class webpage for mandatory online orientation information.									
20250	11:00-12:15PM	TTh	STAFF	K 204					
20251	8:00- 9:15AM	TTh	STAFF	K 204					
22710	3.0 HRS ARR	(OL)	Gonzalez,R	ONLINE					
Note: Online registered students must go to the Canvas class webpage for mandatory online orientation information.									
20254	9:30-10:45AM	TTh	Hemmerling,K	K 204					
20256	2:00- 3:15PM	TTh	STAFF	K 204					
25071	4:00- 5:15PM	MW	STAFF	K 204					
20709	9:30-10:45AM	MW	Richardson,C	K 204					
21626	8:00- 9:15AM	MW	STAFF	K 204					
21629	12:30- 1:45PM	MW	STAFF	K 204					
24492	3.0 HRS ARR	(OL)	Gonzalez,R	ONLINE					
Note: Online registered students must go to the Canvas class webpage for mandatory online orientation information.									
21316	9:00-12:26PM	F	STAFF	K 204					
Class# 21316 meets 09/13/2019-12/20/2019									
24493	6.0 HRS ARR	(OL)	Murray,K	ONLINE					
Note: Online registered students must go to the Canvas class webpage for mandatory online orientation information.									
Class# 24493 meets 08/19/2019-10/18/2019									
20257	6.0 HRS ARR	(OL)	Murray,K	ONLINE					
Note: Online registered students must go to the Canvas class webpage for mandatory online orientation information.									
Class# 20257 meets 08/19/2019-10/18/2019									
25072	6.0 HRS ARR	(OL)	Bueno,N	ONLINE					
Note: Online registered students must go to the Canvas class webpage for mandatory online orientation information.									
Class# 25072 meets 08/19/2019-10/18/2019									
29295	8:00-10:50AM	MW	Murray,K	MC103					
Class# 29295 meets 08/19/2019-10/16/2019									
20901	6.0 HRS ARR	(OL)	Bueno,N	ONLINE					
Note: Online registered students must go to the Canvas class webpage for mandatory online orientation information.									
Class# 20901 meets 10/21/2019-12/20/2019									
21314	6.0 HRS ARR	(OL)	Bueno,N	ONLINE					
Note: Online registered students must go to the Canvas class webpage for mandatory online orientation information.									
Class# 21314 meets 10/21/2019-12/20/2019									
27579	6.0 HRS ARR	(OL)	STAFF	ONLINE					
Note: Online registered students must go to the Canvas class webpage for mandatory online orientation information.									
Class# 27579 meets 10/21/2019-12/20/2019									

Students not in attendance or late for the first class are subject to drop.

Class#	Time	Day	Instructor	Room	Class#	Time	Day	Instructor	Room
26741	6.0 HRS ARR	(OL)	STAFF	ONLINE	20894	11:00-12:50PM	W	Shields,J	SL106
Note: Online registered students must go to the Canvas class webpage for mandatory online orientation information.					20857	11:00-1:05PM	F	Shields,J	SL106
Class# 26741 meets 10/21/2019-12/20/2019					HO 100 - 3.0 UNITS HEALTH OF UNDERSERVED COMMUNITIES				
28926	6.0 HRS ARR	(OL)	STAFF	ONLINE	Transferable to UC, CSU				
Note: Online registered students must go to the Canvas class webpage for mandatory online orientation information.					Recommendation: ENGL 52 and MATH 60 or equivalent with grades of Pass or "C" or higher.				
Class# 28926 meets 10/21/2019-12/20/2019					29280	12:30- 1:45PM	MW	Casas,R	HS104
22086	8:00-10:50AM	MW	Murray,K	MC104	HO 152 - 3.0 UNITS NORMAL AND THERAPEUTIC NUTRITION				
Class# 22086 meets 10/21/2019-12/18/2019					Transferable to UC, CSU (CAN FCS 2)				
25028	11:00- 1:50PM	TTh	STAFF	MC102	Recommendation: A&P 150 and A&P 151 or equivalent with grades of Pass or "C" or higher.				
Class# 25028 meets 10/22/2019-12/19/2019					29281	4:00- 6:50PM	Th	Caminiti,C	SL109
HED 103 - 3.0 UNITS WOMEN, THEIR BODIES AND HEALTH									
Transferable to CSU									
27089	9:30-10:45AM	MW	Hemmerling,K (Women's Studies)	MC102					
27429	6:30- 9:20PM	TTh	Acosta,P	MC103					
Class# 27429 meets 10/22/2019-12/19/2019									
HED 105 - 3.0 UNITS MIND, BODY, AND HEALTH									
Transferable to CSU									
Prerequisite: Completion of HED 100 or equivalent with a grade of "C" or higher, or "Pass".									
29296	6.0 HRS ARR	(OL)	STAFF	ONLINE					
Note: Online registered students must go to the Canvas class webpage for mandatory online orientation information.									
Class# 29296 meets 08/19/2019-10/18/2019									
HED 110 - 3.0 UNITS COMMUNITY FIRST AID AND CPR									
Transferable to CSU									
20259	8:00-10:50AM	F	STAFF	K 205					
21213	9:30-10:45AM	TTh	STAFF	K 205					
24495	7:00- 9:50PM	T	STAFF	K 205					
HED 200 - 3.0 UNITS NUTRITION FOR HEALTH, FITNESS, AND PHYSICAL ACTIVITY									
Transferable to UC, CSU									
20260	11:00-12:15PM	MW	Bueno,N	K 202					
HED 202 - 3.0 UNITS HEALTH SYSTEMS AND PERSPECTIVES									
Transferable to CSU									
Prerequisite: Completion of HED 100 or equivalent with a grade of "C" or higher, or "Pass".									
Recommendation: Completion of ENGL 100 or equivalent with a grade of "C" or higher, or "Pass".									
29297	6.0 HRS ARR	(OL)	Bueno,N	ONLINE					
Note: Online registered students must go to the Canvas class webpage for mandatory online orientation information.									
Class# 29297 meets 08/19/2019-10/18/2019									

HEALTH OCCUPATIONS

HO 53 - 1.0 UNIT ELECTROCARDIOGRAPHY				
Not Transferable				
NOTE: a material fee of \$12.00 is required for HO 53				
20944	5:00- 7:00PM	T	STAFF	SL105
	7:00- 9:50PM	T	STAFF	SL105
Class# 20944 meets 08/20/2019-09/24/2019				
HO 54 - 1.0 UNIT MEDICAL LABORATORY SKILLS				
Not Transferable				
NOTE: a material fee of \$19.00 is required for HO 54				
20903	5:00- 7:00PM	T	STAFF	SL105
	7:00- 9:50PM	T	STAFF	SL105
Class# 20903 meets 10/01/2019-11/05/2019				
HO 55 - 1.5 UNITS PHLEBOTOMY PROCEDURES				
Not Transferable				
Recommendation: MA 161 or equivalent with a grade of Pass or "C" or higher.				
NOTE: a material fee of \$29.00 is required for HO 55				
20892	5:00- 7:00PM	W	STAFF	SL105
	7:00- 9:50PM	W	Bucho,P	SL105
Class# 20892 meets 08/21/2019-10/16/2019				
HO 56 - 1.0 UNIT MEDICATION CALCULATIONS				
Not Transferable				
Prerequisite: MATH 40 or equivalent with a grade of Pass or "C" or higher or satisfactory completion of the Math Placement Process.				

HISTORY

HIST 102 - 3.0 UNITS POLITICAL AND SOCIAL HISTORY OF THE UNITED STATES: 1500S TO				
Transferable to UC, CSU (CAN HIST 8)(CAN HIST SEQ B)				
Prerequisite: Satisfactory completion of English Placement Process or ENGL 52, ENGL 72, or ESL 152 or equivalent with a grade of Pass or "C" or higher.				
Recommendation: Satisfactory completion of the Reading Placement Process or READ 54 with a grade of Pass or "C" or higher.				
21412	11:00-12:15PM	MW	Haas,J	SS309
Targeted for Future Teachers but Open to all Students				
21413	8:00- 9:15AM	MW	Davis,J	SS311
21414	9:30-10:45AM	MW	Davis,J	SS311
21415	9:30-10:45AM	TTh	Haas,J	SS309
Targeted for Future Teachers but Open to all Students				
21416	11:00-12:15PM	TTh	Read,R	SS309
23780	11:00-12:15PM	MW	Hall,D	FA133
26223	6:30- 7:45AM	MW	Hall,D	SS310
23877	4:00- 5:15PM	MW	Fernandez,W	SS311
21417	9:00-11:50AM	F	Waszak,L	SS310
25990	2:00- 3:15PM	TTh	Fernandez,W	SS311
26222	8:00- 9:15AM	MW	Hall,D	SS310
26224	5:30- 6:45PM	MW	Mishler,K	SS311
27007	3.0 HRS ARR	(OL)	STAFF	ONLINE
Note: Online orientation via Canvas for History 102 is to be completed during the first week of class course to confirm enrollment in class.				
27268	3.0 HRS ARR	(OL)	Heeren,J	ONLINE
Note: Online orientation via Canvas for History 102 is to be completed during the first week of class course to confirm enrollment in class.				
27269	3.0 HRS ARR	(OL)	Heeren,J	ONLINE
Note: Online orientation via Canvas for History 102 is to be completed during the first week of class course to confirm enrollment in class.				
27743	12:30- 1:45PM	MW	Fernandez,W	SS311
26764	4:00- 5:30PM	TTh	Waszak,L	SS310
Class# 26764 meets 09/10/2019-12/19/2019				
22143	7:00- 9:50PM	MW	Read,R	SS309
Class# 22143 meets 08/19/2019-10/16/2019				
27270	7:00- 9:50PM	MW	Heeren,J	SS309
Class# 27270 meets 10/21/2019-12/18/2019				
HIST 103 - 3.0 UNITS POLITICAL AND SOCIAL HISTORY OF THE UNITED STATES: 1877 TO P				
Transferable to UC, CSU (CAN HIST 10)(CAN HIST SEQ B)				
Prerequisite: Satisfactory completion of English Placement Process or ENGL 52, ENGL 72, or ESL 152 or equivalent with a grade of Pass or "C" or higher.				
Recommendation: Satisfactory completion of the Reading Placement Process or READ 54 with a grade of Pass or "C" or higher.				
22577	8:00- 9:15AM	TTh	Davis,J	SS311
Targeted for Future Teachers but Open to all Students				
21418	11:00-12:15PM	MW	Jarrett,G	SS310
22578	5:30- 6:45PM	MW	Macias,J	SS310
Note: Emphasis on the Mexican American/Latino(a) experience.				
21419	2:00- 3:15PM	MW	Macias,J	SS310
Note: Emphasis on the Mexican American/Latino(a) experience.				
21691	9:30-10:45AM	TTh	Davis,J	SS311
Targeted for Future Teachers but Open to all Students				
21693	12:30- 1:45PM	TTh	Jarrett,G	SS310
22884	8:00- 9:15AM	TTh	Haas,J	SS309
21842	7:00- 9:50PM	Th	Hawkins,M	SS310
24022	9:30-10:45AM	MW	STAFF	SS310
23781	2:00- 3:15PM	TTh	Macias,J	SS309
Note: Emphasis on the Mexican American/Latino(a) experience.				

Students not in attendance or late for the first class are subject to drop.

Class#	Time	Day	Instructor	Room	Class#	Time	Day	Instructor	Room
26225	12:30- 1:45PM	MW	Jarrett,G	SS310	22434 5:30- 6:45PM MW Targeted for Future Teachers but Open to all Students	Haas,J			SS309
24460	9:30-10:45AM	TTh	Jarrett,G	SS310					
27008	3.0 HRS ARR	(OL)	Swendson,P	ONLINE					
Note: Online orientation via Canvas for History 103 is to be completed during the first week of class course to confirm enrollment in class.					HIST 246 - 3.0 UNITS WORLD CIVILIZATION FROM 1500 TO PRESENT Transferable to UC, CSU Recommendation: READ 54 and ENGL 52 or equivalent with grades of Pass or "C" or higher.				
26761	5:30- 6:45PM	TTh	Macias,J	SS309	20270	2:00- 3:15PM	MW	Haas,J	SS309
Note: Emphasis on the Mexican American/Latino(a) experience.					HIST 260 - 3.0 UNITS SURVEY OF THE HISTORY OF ASIA Transferable to UC, CSU Recommendation: Satisfactory completion of the English Placement Process or ENGL 20 or equivalent with a grade of "C" or higher or "Pass" and satisfactory completion of the Reading Placement Process or READ 43 or READ 49 with a grade of "C" or higher or "Pass".				
24461	3.6 HRS ARR	(OL)	Hunt,R	ONLINE	29124	11:00-12:30PM	TTh	Chang,J	SS139
Note: Online orientation via Canvas for History 103 is to be completed during the first week of class course to confirm enrollment in class.					Class# 29124 meets 09/10/2019-12/19/2019				
Class# 24461 meets 09/09/2019-12/20/2019									
24462	3.6 HRS ARR	(OL)	Hunt,R	ONLINE					
Note: Online orientation via Canvas for History 103 is to be completed during the first week of class course to confirm enrollment in class.									
Class# 24462 meets 09/09/2019-12/20/2019									
21839	7:00- 9:50PM	MW	Hawkins,M	SS310					
Class# 21839 meets 10/21/2019-12/18/2019									
27457	4:00- 6:50PM	MW	Hawkins,M	SS141					
Class# 27457 meets 10/21/2019-12/18/2019									
HUMANITIES									
HIST 110 - 3.0 UNITS AFRICAN/AMERICAN HISTORY Transferable to UC, CSU Recommendation: Completion of ENGL 52, or ENGL 72, or ESL 152, or equivalent with a grade of "C" or higher or "Pass" or completion of the placement process with eligibility for ENGL 100 and satisfactory completion of the Reading Placement Process or READ 43 or READ 49 with a grade of "C" or higher or "Pass" This course is a survey of the political, legal, economic, and social position and role of African-Americans in the history of the United States.									
27272	2:00- 3:15PM	TTh	Melton,J	SS136	HUM 100 - 3.0 UNITS THE ART OF BEING HUMAN Transferable to UC, CSU Recommendation: ENGL 52, ENGL 72 or ESL 152 AND READ 54 or READ 97 or equivalent with grades of Pass or "C" or higher.				
Class# 27272 meets 09/10/2019-12/19/2019					23421 12:30- 4:50PM T Trager,J FA134 Class# 23421 meets 08/20/2019-11/05/2019				
HIST 120 - 3.0 UNITS HISTORY OF CALIFORNIA Transferable to UC, CSU Recommendation: Satisfactory completion of the English Placement Process or ENGL 20 or equivalent with a grade of "C" or higher or "Pass" and satisfactory completion of the Reading Placement Process or READ 43 and READ 49 with a grade of "C" or higher or "Pass".									
20267	12:30- 1:45PM	TTh	Macias,J	SS309	28036 2:00-4:50PM MW Trager,J (Honors Section) FA134 Class# 28036 meets 08/19/2019-10/16/2019				
HIST 204 - 3.0 UNITS WOMEN IN AMERICAN HISTORY Transferable to UC, CSU Recommendation: Completion of ENGL 52, or ENGL 72, or ESL 152 or equivalent with a grade of "C" or higher, or "Pass," or completion of the English Placement Process with eligibility for ENGL 100.									
25676	12:30- 1:45PM	MW	Davis,J (Women's Studies)	SS309	HUM 108 - 3.0 UNITS BLACK IMAGES IN POPULAR CULTURE Transferable to UC, CSU Recommendation: ENGL 52 and READ 54 or equivalent with grades of Pass or "C" or higher is strongly recommended.				
HIST 230 - 3.0 UNITS HISTORY OF MEXICO Transferable to UC, CSU Recommendation: Satisfactory completion of the English Placement Process or ENGL 20 or equivalent with a grade of "C" or higher or "Pass" and satisfactory completion of the Reading Placement Process or READ 43 or READ 49 with a grade of "C" or higher or "Pass".									
20268	12:30- 1:45PM	TTh	Fernandez,W	SS311	HUM 109 - 3.0 UNITS GENDER AND SEXUALITY IN ART Transferable to UC, CSU Recommendation: ENGL 52 and READ 54 or equivalent with grades of Pass or "C" or higher is strongly recommended.				
20712	5:30- 6:45PM	TTh	Fernandez,W	SS311	29080 6:00- 8:50PM MW Trager,J FA134 Class# 29080 meets 08/19/2019-10/16/2019				
HIST 235 - 3.0 UNITS HISTORY OF LATIN AMERICA Transferable to UC, CSU Recommendation: Satisfactory completion of the English Placement Process or ENGL 52 or equivalent with a grade of Pass or "C" or higher and satisfactory completion of the Reading Placement Process or READ 54 with a grade of Pass or "C" or higher.									
20269	11:00-12:15PM	MW	Fernandez,W	SS311	29433 6:00- 8:50PM TTh Trager,J FA134 Class# 29433 meets 08/20/2019-10/17/2019				
HIST 241 - 3.0 UNITS WESTERN CIVILIZATION Transferable to UC, CSU (CAN HIST 2)(CAN HIST SEQ A) Prerequisite: Completion of ENGL 52, or ENGL 72 or ESL 152 or equivalent with a grade of "C" or higher, or "Pass," or completion of the English Placement Process with eligibility for ENGL 100. Recommendation: Satisfactory completion of the Reading Placement Process or READ 54 or equivalent with a grade of Pass or "C" or higher.									
22285	11:00-12:15PM	TTh	Waszak,L	SS310					
HIST 245 - 3.0 UNITS WORLD CIVILIZATION FROM ANTIQUITY TO 1500 Transferable to UC, CSU Recommendation: READ 54 and ENGL 52 or equivalent with grades of Pass or "C" or higher.									
22307	9:30-10:45AM	MW	Haas,J	SS309	Targeted for Future Teachers but Open to all Students				
INTERDISCIPLINARY STUDIES									
INST 151 - 3.0 UNITS PRINCIPLES OF RECOVERY AND PSYCHOSOCIAL REHABILITATION Transferable to CSU									
21420	6:30- 9:20PM	T	Costello,C	MP202					
INST 152 - 3.0 UNITS HELPING RELATIONSHIPS Transferable to CSU Prerequisite: INST 151 with a grade of Pass or "C" or higher.									
29268	6:30- 9:20PM	W	Martins,M	BE106					
INST 272 - 3.0 UNITS SPECIAL POPULATIONS Transferable to CSU									
21698	6:30- 9:20PM	Th	Martins,M	BE109					
JAPANESE									
JAPN 101 - 5.0 UNITS ELEMENTARY JAPANESE Transferable to UC, CSU									
21299	2:00- 4:15PM	MW	Larsen,T	SS136					
					+ 1.0 HRS ARR Larsen,T LC205				
LAB IS ONE HOUR PER WEEK IN THE SUCCESS CENTER									
21649	2:00- 4:15PM	TTh	Mochizuki,S	SS308					
					+ 1.0 HRS ARR Mochizuki,S LC205				
LAB IS ONE HOUR PER WEEK IN THE SUCCESS CENTER									

Students not in attendance or late for the first class are subject to drop.

Class#	Time	Day	Instructor	Room	Class#	Time	Day	Instructor	Room
28009	4:30- 6:45PM	TTh	Larsen,T	LA210	28925	6.0 HRS ARR	(OL)	STAFF	ONLINE
	+ 1.0 HRS ARR		Larsen,T	LC205		Note: Online registered students must go to the Canvas class webpage for mandatory online orientation information.			
	LAB IS ONE HOUR PER WEEK IN THE SUCCESS CENTER								
JAPN 102 - 5.0 UNITS ELEMENTARY JAPANESE									
Transferable to UC, CSU									
Prerequisite: JAPN 101 or equivalent with a grade of Pass or "C" or higher.									
26979	4:30- 6:45PM	TTh	Mochizuki,S	SS307	26743	9:30-12:20PM	TTh	STAFF	MC103
	+ 1.0 HRS ARR		Mochizuki,S	LC205		Class# 26743 meets 10/22/2019-12/19/2019			
LAB IS ONE HOUR PER WEEK IN THE SUCCESS CENTER									

JOURNALISM

JOUR 100 - 3.0 UNITS MASS COMMUNICATIONS AND SOCIETY									
Transferable to UC, CSU (CAN JOUR 4)									
20275	9:30-10:50AM	MW	Brown,C	CB103					
27034	3.0 HRS ARR	(OL)	Brown,C	ONLINE					
JOUR 101 - 3.0 UNITS BEGINNING NEWSWRITING AND REPORTING									
Transferable to UC, CSU (CAN JOUR 2)									
Prerequisite: Completion of ENGL 52, or ENGL 72 or ESL 152 or equivalent with a grade of "C" or higher, or "Pass," or completion of the English Placement Process with eligibility for ENGL 100.									
20276	9:30-10:50AM	TTh	Brown,C	FA245					
JOUR 107A - 3.0 UNITS COLLEGE NEWSPAPER									
Transferable to CSU									
Recommendation: JOUR 101 or JOUR 121 or equivalents with a grade of Pass or "C" or higher.									
23548	12:30- 1:30PM	MW	Brown,C	FA245					
	1:30- 2:50PM	MW	Brown,C	FA245					
JOUR 107B - 3.0 UNITS INTERMEDIATE COLLEGE NEWSPAPER									
Transferable to CSU									
Prerequisite: JOUR 107A or equivalent with a grade of Pass or "C" or better.									
23550	12:30- 1:30PM	MW	Brown,C	FA245					
	1:30- 2:50PM	MW	Brown,C	FA245					
JOUR 107C - 3.0 UNITS INTERMEDIATE ADVANCED COLLEGE NEWSPAPER									
Transferable to CSU									
Prerequisite: JOUR 107B or equivalent with a grade of Pass or "C" or better.									
23552	12:30- 1:30PM	MW	Brown,C	FA245					
	1:30- 2:50PM	MW	Brown,C	FA245					
JOUR 107D - 3.0 UNITS ADVANCED COLLEGE NEWSPAPER									
Transferable to CSU									
Prerequisite: JOUR 107C or equivalent with a grade of Pass or "C" or better.									
23554	12:30- 1:30PM	MW	Brown,C	FA245					
	1:30- 2:50PM	MW	Brown,C	FA245					

KINESIOLOGY

KIN 100 - 3.0 UNITS INTRODUCTION TO KINESIOLOGY									
Transferable to UC, CSU									
24640	9:30-10:45AM	MW	Bueno,N	K 206					
25558	9:30-10:45AM	TTh	Jensen,D	K 206					
26249	11:00-12:15PM	TTh	STAFF	K 206					
26250	6:00- 7:15PM	TTh	STAFF	K 206					
27090	3.0 HRS ARR	(OL)	Edwards,C	ONLINE					
Note: Online registered students must go to the Canvas class webpage for mandatory online orientation information.									
27994	3.0 HRS ARR	(OL)	STAFF	ONLINE					
Note: Online registered students must go to the Canvas class webpage for mandatory online orientation information.									
27995	6.0 HRS ARR	(OL)	STAFF	ONLINE					
Note: Online registered students must go to the Canvas class webpage for mandatory online orientation information.									
Class# 27995 meets 10/21/2019-12/20/2019									
28511	6.0 HRS ARR	(OL)	STAFF	ONLINE					
Note: Online registered students must go to the Canvas class webpage for mandatory online orientation information.									
Class# 28511 meets 10/21/2019-12/20/2019									

KIN 102 - 3.0 UNITS INTRODUCTION TO ATHLETIC TRAINING									
Transferable to UC, CSU									
24641	8:00- 9:15AM	TTh	Castro,M	K 206					
25951	9:30-10:45AM	MW	STAFF	K 203					
KIN 104 - 3.0 UNITS FITNESS AND WELLNESS									
Transferable to UC, CSU									
NOTE: a material fee of \$5.00 is required for KIN 104									
24645	2.0 HRS ARR	(OL)	Edwards,C	ONLINE					
NOTE: Students must select one (1) lecture and one (1) lab. When registering enter the class # for lecture FIRST. When pop-up box appears asking for the accompanying section, enter the lab class number #.									
LECTURE OPTIONS APPEAR BELOW									
Note: Online registered students must go to the Canvas class webpage for mandatory online orientation information.									
24646	1:00- 1:50PM	MW	Kozlowski,T	K 206					
24647	8:30- 9:20AM	TTh	STAFF	K 202					
LAB OPTIONS APPEAR BELOW. Select one (1) lab section to accompany your lecture selection. Lecture sections and registration instructions appear above.									
24650	11:00-12:15PM	MW	Edwards,C	K 129					
24651	2:00- 3:15PM	MW	Kozlowski,T	K 129					
24652	9:30-10:45AM	TTh	STAFF	K 129					
24654	6:30- 7:45PM	TTh	STAFF	K 129					
KIN 108 - 3.0 UNITS WOMEN IN SPORTS									
Transferable to CSU									
27287	3.0 HRS ARR	(OL)	Kozlowski,T	ONLINE					
Note: Online registered students must go to the Canvas class webpage for mandatory online orientation information.									
27401	6.0 HRS ARR	(OL)	Kozlowski,T	ONLINE					
Note: Online registered students must go to the Canvas class webpage for mandatory online orientation information.									
Class# 27401 meets 10/21/2019-12/20/2019									
KIN 110 - 3.0 UNITS COMMUNITY FIRST AID AND CPR									
Transferable to CSU									
28172	8:00-10:50AM	F	STAFF	K 205					
28173	9:30-10:45AM	TTh	STAFF	K 205					
28174	7:00-9:50PM	T	STAFF	K 205					
KIN 130 - 3.0 UNITS THEORY OF COACHING									
Transferable to UC, CSU									
28175	3:00-3:50PM	MWF	Grosfeld,S	FH					
29299	9:30-11:05AM	TTh	May,R	MC104					
Class# 29299 meets 09/10/2019-12/19/2019									
KIN 134 - 2.0 UNITS THEORY OF FOOTBALL									
Transferable to UC, CSU									
24660	6:00- 9:50PM	Th	Grosfeld,S	FH					
Class# 24660 meets 08/22/2019-10/17/2019									
24661	6:00- 9:50PM	Th	Caines,T	FH					
Class# 24661 meets 10/24/2019-12/19/2019									
KIN 202 - 3.0 UNITS MEASUREMENT AND INTERPRETATION OF FITNESS									
Transferable to CSU									
24663	8:45- 9:15AM	MW	STAFF	K 202					
	9:15-10:50AM	MW	STAFF	K 202					
KIN 205 - 3.0 UNITS ANATOMICAL MOVEMENT ANALYSIS									
Transferable to UC, CSU									
28169	9:30-10:45AM	TTh	Castro,M	K 202					
KIN 206A - 2.0 UNITS LOWER EXTREMITY INJURY ASSESSMENT AND RECONDITIONING									
Transferable to UC, CSU									
28170	9:00- 9:30AM	MW	Castro,M	K 205					
	9:30-10:50AM	MW	Castro,M	K 205					
KIN 211 - 3.0 UNITS SPORT MANAGEMENT									
Transferable to CSU									
27711	9:00-12:25PM	F	STAFF	K 202					
Class# 27711 meets 09/13/2019-12/20/2019									

Students not in attendance or late for the first class are subject to drop.

Class#	Time	Day	Instructor	Room	Class#	Time	Day	Instructor	Room					
KIN 271A - 1.0 UNIT OCCUPATIONAL WORK EXPERIENCE ATHLETIC TRAINING Transferable to CSU					LAW 108 - 3.0 UNITS FAMILY LAW PROCEDURES Transferable to CSU Recommendation: LAW 56 with a grade of "C" or higher or "Pass."									
24665	7:45- 8:35AM	W	STAFF	K 205	23783	7:00- 9:50PM	W	Filer,A	BE116					
KIN 271B - 1.0 UNIT OCCUPATIONAL WORK EXPERIENCE IN FITNESS Transferable to CSU					LAW 109 - 3.0 UNITS TORTS AND PERSONAL INJURY Transferable to CSU									
24666	7:45- 8:35AM	W	STAFF	K 205	22876	7:00- 9:50PM	M	Maline,R	BE106					
KIN 298 - 1.0 UNIT DIRECTED STUDIES Transferable to CSU					LAW 110 - 3.0 UNITS BUSINESS LAW Transferable to UC, CSU									
28177	1.2 HRS ARR		Grosfeld,S	K 108	25412	3.0 HRS ARR (OL)		Binning,M	ONLINE					
Note: Must have instructor approval before registering Class# 28177 meets 08/19/2019-11/29/2019					Orientation: 7:00 - 8:00 p.m., Friday - August 23 in BE 116.									
28176	2.0 HRS ARR		Grosfeld,S	K 108	27982	7:00- 9:50PM	M	Kim,R	SS311					
Note: Must have instructor approval before registering Class# 28176 meets 10/21/2019-12/20/2019					LAW 111 - 3.0 UNITS BUSINESS LAW Transferable to UC, CSU (CAN BUS 8)									
KIN 299 - 2.0 UNITS DIRECTED STUDIES Transferable to CSU					21984 11:00-12:15PM MW Noyes,N BE119									
28178	1.0 HRS ARR		Grosfeld,S	K 108	26748	3.0 HRS ARR (OL)		Noyes,N	ONLINE					
Note: Must have instructor approval before registering					Orientation: 6:00 - 7:00 p.m., Friday - August 23 in BE 117.									
					21986 6:30-10:00PM Th Brown Jr.,W SS306									
					Class# 21986 meets 09/09/2019-12/20/2019									
					LAW 113 - 3.0 UNITS FUNDAMENTALS OF ALTERNATE DISPUTE RESOLUTIONS Transferable to CSU Recommendation: LAW 56 with a grade of "C" or higher or "Pass."									
					21989 7:00- 9:50PM T Tchulluian,L BE116									
					LAW 120 - 3.0 UNITS LEGAL ETHICS Transferable to CSU									
					25411 12:30- 1:45PM TTh Sauber,D BE106									
					LAW 171 - 1.0 UNIT LEGAL OCCUPATIONAL WORK EXPERIENCE Transferable to CSU									
					21992 6:00- 6:50PM W Greenberg,B LC 22									
					21998 1:00- 1:50PM W Greenberg,B SS 16									
					LAW 172 - 2.0 UNITS LEGAL OCCUPATIONAL WORK EXPERIENCE Transferable to CSU									
					21993 6:00- 6:50PM W Greenberg,B LC 22									
					21999 1:00- 1:50PM W Greenberg,B SS 16									
					LAW 173 - 3.0 UNITS LEGAL OCCUPATIONAL WORK EXPERIENCE Transferable to CSU									
					21994 6:00- 6:50PM W Greenberg,B LC 22									
					22000 1:00- 1:50PM W Greenberg,B SS 16									
					LAW 174 - 4.0 UNITS LEGAL OCCUPATIONAL WORK EXPERIENCE Transferable to CSU									
					21995 6:00- 6:50PM W Greenberg,B LC 22									
					22001 1:00- 1:50PM W Greenberg,B SS 16									
					LAW 230 - 3.0 UNITS CORPORATE LAW Transferable to CSU Recommendation: LAW 56 with a grade of "C" or higher or "Pass."									
					24434 7:00- 9:50PM W Binning,M SS138									
					LAW 260 - 3.0 UNITS IMMIGRATION LAW Transferable to CSU Recommendation: LAW 56 with a grade of "C" or higher or "Pass."									
					25740 7:00- 9:50PM T Torices,E BE106									
					LAW 290 - 1.0 UNIT CAPSTONE COURSE-PARALEGAL PROGRAM Transferable to CSU Recommendation: To be taken in the final semester of course work for certificate students, and to be taken in the final semester prior to graduation for Paralegal A.									
					22202 6:00- 6:50PM Th Kim,R BE106									
LAW														
LAW 56 - 3.0 UNITS INTRODUCTION TO COMPUTERIZED LEGAL SOFTWARE Not Transferable					LAW 120 - 3.0 UNITS LEGAL ETHICS Transferable to CSU									
21973	9:30-10:45AM	MW	Noyes,N	BE117	25411	12:30- 1:45PM	TTh	Sauber,D	BE106					
21974	7:00- 9:50PM	F	Noyes,N	BE117	LAW 171 - 1.0 UNIT LEGAL OCCUPATIONAL WORK EXPERIENCE Transferable to CSU									
LAW 65 - 3.0 UNITS ADVANCED LEGAL TECHNOLOGY Not Transferable Recommendation: LAW 56 or equivalent with a grade of "C" or higher or "Pass."					21992 6:00- 6:50PM W Greenberg,B LC 22									
27004	7:00- 9:50PM	Th	Binning,M	LC 22	21998	1:00- 1:50PM	W	Greenberg,B	SS 16					
LAW 100 - 3.0 UNITS INTRODUCTION TO CALIFORNIA CIVIL PROCEDURES Transferable to CSU Recommendation: LAW 56 with a grade of "C" or higher or "Pass."					LAW 172 - 2.0 UNITS LEGAL OCCUPATIONAL WORK EXPERIENCE Transferable to CSU									
21975	8:00- 9:15AM	TTh	Greenberg,B	LC 22	21993	6:00- 6:50PM	W	Greenberg,B	LC 22					
21976	7:00- 9:50PM	M	Binning,M	LC 22	21999	1:00- 1:50PM	W	Greenberg,B	SS 16					
LAW 101 - 3.0 UNITS INTRODUCTION TO LAW Transferable to CSU					LAW 173 - 3.0 UNITS LEGAL OCCUPATIONAL WORK EXPERIENCE Transferable to CSU									
21977	11:00-12:15PM	TTh	Sauber,D	SS138	21994	6:00- 6:50PM	W	Greenberg,B	LC 22					
21996	7:00- 9:50PM	M	Filer,A	SS138	22000	1:00- 1:50PM	W	Greenberg,B	SS 16					
23782	11:00-12:15PM	MW	Binning,M	SS137	LAW 174 - 4.0 UNITS LEGAL OCCUPATIONAL WORK EXPERIENCE Transferable to CSU									
LAW 102 - 3.0 UNITS ADVANCED CALIFORNIA CIVIL PROCEDURES Transferable to CSU Prerequisite: LAW 100 with a grade of Pass or "C" or higher. Recommendation: LAW 56 with a grade of "C" or higher or "Pass."					21995 6:00- 6:50PM W Greenberg,B LC 22									
21979	7:00- 9:50PM	T	Noyes,N	BE117	22001	1:00- 1:50PM	W	Greenberg,B	SS 16					
LAW 103 - 3.0 UNITS LEGAL RESEARCH Transferable to CSU Recommendation: LAW 101 and LAW 56 or equivalent with grades of Pass or "C" or higher.					LAW 230 - 3.0 UNITS CORPORATE LAW Transferable to CSU Recommendation: LAW 56 with a grade of "C" or higher or "Pass."									
21980	9:30-10:45AM	TTh	Greenberg,B	LC 22	24434	7:00- 9:50PM	W	Binning,M	SS138					
21981	6:00- 8:50PM	T	Greenberg,B	LC 22	LAW 260 - 3.0 UNITS IMMIGRATION LAW Transferable to CSU Recommendation: LAW 56 with a grade of "C" or higher or "Pass."									
LAW 104 - 3.0 UNITS ADVANCED LEGAL RESEARCH Transferable to CSU Prerequisite: LAW 103 or equivalent with a grade of "C" or higher or "Pass". Recommendation: LAW 56 or equivalent with a grade of "C" or higher or "Pass".					25740 7:00- 9:50PM T Torices,E BE106									
26203	7:00-9:50PM	F	Maline,R	BE119	LAW 290 - 1.0 UNIT CAPSTONE COURSE-PARALEGAL PROGRAM Transferable to CSU Recommendation: To be taken in the final semester of course work for certificate students, and to be taken in the final semester prior to graduation for Paralegal A.									
LAW 105 - 3.0 UNITS INTRODUCTION TO FEDERAL AND CALIFORNIA EMPLOYMENT AND LABOR Transferable to CSU					22202 6:00- 6:50PM Th Kim,R BE106									
24432	7:00- 9:50PM	W	Tchulluian,L	LC 22	LIBRARY									
LAW 107 - 3.0 UNITS PROBATE PROCEDURES Transferable to CSU Recommendation: LAW 56 with a grade of "C" or higher or "Pass". NOTE: a material fee of \$4.00 is required for LAW 107					LIBR 100 - 1.0 UNIT INTRODUCTION TO LIBRARY RESEARCH Transferable to UC, CSU									
27005	5:30- 6:45PM	MW	Binning,M	SS138	22170	9:00-10:50AM	M	Taibjee,S	(HYBRID) LC 62					
					+ 2.0 HRS ARR Taibjee,S (HYBRID) LC 62									
					Class# 22170 meets 10/21/2019-12/16/2019									
					22163 6:00- 7:50PM Th Daugherty,H (HYBRID) LC 62									
					+ 2.0 HRS ARR Daugherty,H (HYBRID) LC 62									
					Class# 22163 meets 10/24/2019-12/19/2019									

Students not in attendance or late for the first class are subject to drop.

Class#	Time	Day	Instructor	Room	Class#	Time	Day	Instructor	Room
--------	------	-----	------------	------	--------	------	-----	------------	------

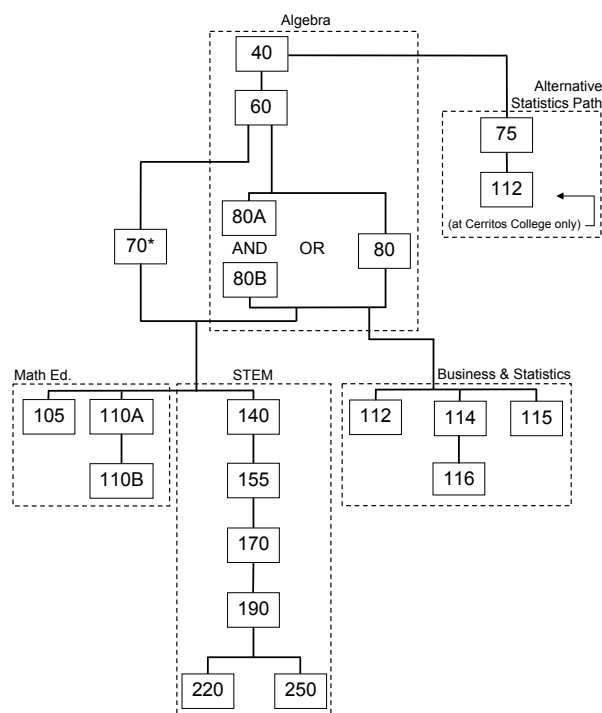
MACHINE TOOL TECHNOLOGY

MTT 51 - 3.5 UNITS MASTERCAM MILLING										
Not Transferable										
Please read the technical standards relevant to this department at http://cms.cerritos.edu/technology/standards.htm										
NOTE: a material fee of \$10.00 is required for MTT 51										
21725	5:30- 8:30PM	T	Barnes,J	ME 3H						
	8:30- 9:50PM	T	Barnes,J	ME 3H						
MTT 52 - 2.5 UNITS SETUP AND OPERATION OF CNC MILLING MACHINES										
Not Transferable										
NOTE: a material fee of \$15.00 is required for MTT 52										
20756	5:30- 7:30PM	F	Vo,C	ME 3H						
	7:30- 8:50PM	F	Vo,C	ME 3H						
MTT 56 - 2.0 UNITS CNC SHOP INSPECTION										
Not Transferable										
25533	4.0 HRS ARR	(OL)	Real,Y	ONLINE						
Class# 25533 meets 08/19/2019-10/18/2019										
MTT 57 - 2.5 UNITS SETUP AND OPERATION OF CNC LATHES										
Not Transferable										
NOTE: a material fee of \$15.00 is required for MTT 57										
21258	5:30- 7:30PM	M	Vo,C	ME 3H						
	7:30-8:50PM	M	Vo,C	ME 3H						
MTT 68 - 2.0 UNITS COMPUTER-ASSISTED INSPECTION USING VERISURF										
Not Transferable										
23600	8:00-12:55PM	Sat	Husted,C	ME 2J						
Class# 23600 meets 08/24/2019-10/19/2019										
MTT 71 - 2.0 UNITS MASTERCAM MULTI-AXIS MILLING										
Not Transferable										
Prerequisite: MTT 51 or equivalent with a grade of "C" or higher or "Pass."										
26145	5:30-7:20PM	Th	Vo,C	ME 3H						
MTT 72 - 2.0 UNITS MASTERCAM MULTI-AXIS TURNING										
Not Transferable										
Prerequisite: MTT 51 or MTT 59 or equivalent with a grade of "C" or higher or "Pass."										
27620	5:30- 7:20PM	W	Vo,C	ME 3H						
MTT 91L - 1.0 UNIT CNC MILL MACHINING LABORATORY										
Not Transferable										
Prerequisite: MTT 51 or MTT 76 and MTT 52, with grades of Pass or "C" or higher.										
Corequisite: MTT 56 with a grade of Pass or "C" or higher or prior completion.										
NOTE: a material fee of \$15.00 is required for MTT 91L										
25428	5:30- 8:20PM	M	Vo,C	ME 3H						
MTT 92L - 1.0 UNIT MASTERCAM LABORATORY										
Not Transferable										
Prerequisite: MTT 51 or MTT 57 or equivalent with a grade of Pass or "C" or higher or appropriate work experience.										
NOTE: a material fee of \$10.00 is required for MTT 92L										
22099	5:30- 8:20PM	T	Barnes,J	ME 3H						
MTT 94L - 1.0 UNIT MANUAL MACHINING LAB										
Not Transferable										
Prerequisite: MTT 56 and MTT 100 or equivalent with grades of Pass or "C" or higher.										
NOTE: a material fee of \$15.00 is required for MTT 94L										
22385	7:30-10:20PM	Th	Vo,C	ME 3H						
MTT 95L - 1.0 UNIT CNC LATHE MACHINING LABORATORY										
Not Transferable										
Prerequisite: MTT 57 and MTT 59 or MTT 77 with grades of Pass or "C" or higher.										
Corequisite: MTT 56 with a grade of Pass or "C" or higher or prior completion.										
NOTE: a material fee of \$15.00 is required for MTT 95L										
22100	5:30- 8:20PM	F	Vo,C	ME 3H						
MTT 96L - 1.0 UNIT CNC MULTI-AXIS MILL MACHINING LAB										
Not Transferable										
Prerequisite: MTT 52 or equivalent with a grade of "C" or higher, or "Pass."										
Corequisite: MTT 71 or equivalent or prior completion, with a grade of "C" or higher, or "Pass."										
NOTE: a material fee of \$15.00 is required for MTT 96L										
27123	7:30-10:20PM	Th	Vo,C	ME 3H						

MTT 97L - 1.0 UNIT CNC MULTI-AXIS TURNING LABORATORY										
Not Transferable										
Prerequisite: MTT 57 or equivalent with a grade of "C" or higher or "Pass." and Corequisite of MTT 72 or equivalent or prior completion with a grade of "C" or higher or "Pass."										
NOTE: a material fee of \$15.00 is required for MTT 97L										
28021	7:30-10:20PM	Th	Vo,C	ME 3H						
MTT 100 - 2.0 UNITS MACHINE TOOL INTRODUCTION										
Transferable to CSU										
NOTE: a material fee of \$15.00 is required for MTT 100										
22386	5:30- 6:30PM	T	Vo,C	ME 2J						
	6:30- 9:20PM	T	Vo,C	ME 2J						
25744	8:00- 9:07AM	Sat	Arias,R	ME 3H						
	9:07-12:15PM	Sat	Arias,R	ME 3H						
Class# 25744 meets 08/24/2019-12/14/2019										
MTT 110 - 2.0 UNITS INDUSTRIAL MAINTENANCE OF MACHINE TOOLS										
Transferable to CSU										
28959	5:30- 7:40PM	W	Real,Y	ME 2J	(HYBRID)					
Class# 28959 meets 09/11/2019-12/18/2019										
MTT 168 - 2.0 UNITS ADVANCED COMPUTER-ASSISTED INSPECTION USING VERISURF										
Transferable to CSU										
Prerequisite: MTT 68 or equivalent with a grade of "C" or higher or "Pass."										
Recommendation: ENGT 117 and MTT 56.										
29261	8:00-10:30AM	Sat	Husted,C	ME 2J						
	10:30-12:50PM	Sat	Husted,C	ME 2J						
Class# 29261 meets 10/26/2019-12/04/2019										

MATHEMATICS

Mathematics Department
Sequence of Courses



Students not in attendance or late for the first class are subject to drop.

Class#	Time	Day	Instructor	Room	Class#	Time	Day	Instructor	Room
MATH 5 - 1.0 UNIT MATHEMATICS LEARNING STRATEGIES					29059 4:30- 5:20PM M Tran,L MCIS111				
Not Transferable					Not open to students with prior credit in MATH 5. You must also enroll in				
Corequisite: Concurrent enrollment in MATH 20, 40, 60, 80, 80A, or 80B.					MATH 112 #26919				
29017	12:00-12:50PM	M	Budarin,D	PST237	29060	10:30-11:20AM	M	Phan,H	MCIS113
Note: Not open to student with prior credit in MATH 5. You must also enroll in					Not open to students with prior credit in MATH 5. You must also enroll in				
MATH 114 # 20342					MATH 112 #24343				
29018	12:00-12:50PM	W	Cho,A	PST237	29061	1:30- 2:20PM	M	Mariani,I	MCIS113
Note: Not open to student with prior credit in MATH 5. You must also enroll in					Not open to students with prior credit in MATH 5. You must also enroll in				
MATH 114 #20341					MATH 112 #28156				
29019 5:00- 5:50PM M			Cho,A	PST237	29062 7:30- 8:20PM M			Tran,L	MCIS113
Note: Not open to student with prior credit in MATH 5. You must also enroll in					Not open to students with prior credit in MATH 5. You must also enroll in				
MATH 114 #20741					MATH 112 #27670				
29020 5:00- 5:50PM W			Pallwitz,K	PST237	29063	1:00- 1:50PM	T	Ford,D	MCIS113
Not open to student with prior credit in MATH 5. You must also enroll in					Not open to students with prior credit in MATH 5. You must also enroll in				
MATH 114 #20740					MATH 112 #20340				
29021	10:00-10:50AM	T	Cho,A	PST237	This MATH 5 class is part of the FYE Health Occupations House Learning Community, which includes COUN 200 #22518, ENGL 100 #20205, MATH 112 #20340, and SOC 101 #20550. To enroll in the learning community, please complete this contract http://cms.cerritos.edu/lcp/FYE_Contract_Page.htm .				
Not open to student with prior credit in MATH 5. You must also enroll in					MATH 112 #22806				
This MATH 5 class is part of the FYE Business House Learning Community, which includes BA 100 #21250, COUN 200 #26201, ENGL 100 #25967, and MATH 114 #22806. To enroll in the learning community, please complete this contract http://cms.cerritos.edu/lcp/FYE_Contract_Page.htm .					29064	4:00- 4:50PM	T	Cedeno,J	MCIS113
29022	10:00-10:50AM	Th	Sarvi,K	PST237	Not open to students with prior credit in MATH 5. You must also enroll in				
Not open to student with prior credit in MATH 5. You must also enroll in					MATH 112 #26917				
MATH 114 #26016					29065 8:00- 8:50PM T			Cedeno,J	MCIS113
29024	3:00- 3:50PM	Th	Campeau,L	PST237	Not open to students with prior credit in MATH 5. You must also enroll in				
Not open to student with prior credit in MATH 5. You must also enroll in					MATH 112 #21461				
MATH 114 #29023					MATH 40 - 4.0 UNITS PREALGEBRA				
29026	3:00- 3:50PM	T	Budarin,D	PST237	Not Transferable				
Not open to student with prior credit in MATH 5. You must also enroll in					Prerequisite: MATH 20 or equivalent with a grade of "C" or higher or "Pass" or completion of the math placement process with a score eligible for MATH 40.				
MATH 114 #29025					20282	10:00-11:50AM	MW	Campeau,L	LC209
29027	2:00- 2:50PM	M	Cortez,D	MCIS107	*(SEMI-INDEP SECT - LC209)				
Not open to student with prior credit in MATH 5. You must also enroll in					This math 40 course is a semi-independent course. For more information, please visit www.cerritos.edu/MLC .				
MATH 112 #29037					20284	12:00- 1:50PM	MW	Campeau,L	LC209
29028 8:00- 8:50PM M			O'Neil,S	MCIS108	*(SEMI-INDEP SECT - LC209)				
Not open to student with prior credit in MATH 5. You must also enroll in					This math 40 course is a semi-independent course. For more information, please visit www.cerritos.edu/MLC .				
MATH 112 #21301					20290	12:30- 2:20PM	TTh	Worrel,D	LC209
29045 4:30- 5:20PM M			Conley,A	MCIS113	*(SEMI-INDEP SECT - LC209)				
Not open to student with prior credit in MATH 5. You must also enroll in					This math 40 course is a semi-independent course. For more information, please visit www.cerritos.edu/MLC .				
MATH 112 #21302					20721 6:00- 7:50PM MW			Worrel,D	LC209
29046	3:00- 3:50PM	M	O'Neil,S	MCIS108	*(SEMI-INDEP SECT - LC209)				
Not open to student with prior credit in MATH 5. You must also enroll in					This math 40 course is a semi-independent course. For more information, please visit www.cerritos.edu/MLC .				
MATH 112 #26199					20724 6:00- 7:50PM TTh			Campeau,L	LC209
29047	10:00-10:50AM	M	Morales,M	MCIS108	*(SEMI-INDEP SECT - LC209)				
Not open to student with prior credit in MATH 5. You must also enroll in					This math 40 course is a semi-independent course. For more information, please visit www.cerritos.edu/MLC .				
MATH 112 #28157					20281	9:00-10:50AM	MTWTh	Murugiah,Y	PST235
29048	12:00-12:50PM	M	Conley,A	MCIS104	Note: Students will have the opportunity to enroll in 2nd 9 week Math 60 #22257 after the 6th week.				
Not open to student with prior credit in MATH 5. You must also enroll in					Class# 20281 meets 08/19/2019-10/17/2019				
MATH 112 #28842					MATH 60 - 4.0 UNITS ELEMENTARY ALGEBRA				
29049	10:30-11:20AM	M	Nguimdjou,E	MCIS107	Not Transferable				
Not open to student with prior credit in MATH 5. You must also enroll in					Prerequisite: MATH 40 or equivalent with a grade of "C" or higher or "Pass" or completion of the math placement process with a score eligible for MATH 60.				
MATH 112 #29040					Recommendation: Meet the prerequisite within two years prior to the date of enrollment in MATH 60.				
29050 5:30- 6:20PM M			Montegary,M	MCIS107	20294	10:00-11:50AM	MW	Campeau,L	LC209
Not open to students with prior credit in MATH 5. You must also enroll in					*(SEMI-INDEP SECT - LC209)				
MATH 112 #29041					This math 60 course is a semi-independent course. For more information, please visit www.cerritos.edu/MLC .				
29051 9:00- 9:50PM M			Montegary,M	MCIS107	27059	4.0 HRS ARR	(OL)	McCance,I	ONLINE
Not open to students with prior credit in MATH 5. You must also enroll in					An on-campus orientation is required for this course. Orientation will meet 9:00 -10:50 a.m., Friday - August 23 in MCIS 108 at Cerritos College.				
MATH 112 #29042					20303	9:00-10:50AM	TTh	Worrel,D	LC209
29052	1:30- 2:20PM	T	Tran,T	MCIS107	*(SEMI-INDEP SECT - LC209)				
Not open to students with prior credit in MATH 5. You must also enroll in					This math 60 course is a semi-independent course. For more information, please visit www.cerritos.edu/MLC .				
MATH 112 #29043					20726 6:00- 7:50PM MW			Worrel,D	LC209
29053 5:00- 5:50PM T			Huang,F	MCIS107	*(SEMI-INDEP SECT - LC209)				
Not open to students with prior credit in MATH 5. You must also enroll in					This math 60 course is a semi-independent course. For more information, please visit www.cerritos.edu/MLC .				
MATH 112 #29044					MATH 60				
29054	10:00-10:50AM	T	Flores,W	MCIS107	Not open to students with prior credit in MATH 5. You must also enroll in				
MATH 112 #24345					MATH 112 #24344				
29055	10:00-10:50AM	T	Pham,M	MCIS108	Not open to students with prior credit in MATH 5. You must also enroll in				
MATH 112 #27342					MATH 112 #20338				
29056	3:00- 3:50PM	T	Sarvi,K	MCIS108	Not open to students with prior credit in MATH 5. You must also enroll in				
MATH 112 #27341					MATH 112 #24344				
29057 6:00- 6:50PM T			Yi,P	MCIS108	Not open to students with prior credit in MATH 5. You must also enroll in				
MATH 112 #24344					MATH 112 #24344				
29058 5:30- 6:20PM T			Gonzalez,A	MCIS111	Not open to students with prior credit in MATH 5. You must also enroll in				
MATH 112 #20338					MATH 112 #20338				

Students not in attendance or late for the first class are subject to drop.

Class#	Time	Day	Instructor	Room	Class#	Time	Day	Instructor	Room
20729	6:00- 7:50PM	TTh	Campeau,L	LC209					
	*(SEMI-INDEP SECT - LC209) This math 60 course is a semi-independent course. For more information, please visit www.cerritos.edu/MLC .								
23812	12:00- 1:50PM	MW	McCance,I	MCIS105					
21273	12:30- 2:20PM	TTh	Worrel,D	LC209					
	*(SEMI-INDEP SECT - LC209) This math 60 course is a semi-independent course. For more information, please visit www.cerritos.edu/MLC .								
26200	12:00- 1:50PM	MW	Campeau,L	LC209					
	*(SEMI-INDEP SECT - LC209) This math 60 course is a semi-independent course. For more information, please visit www.cerritos.edu/MLC .								
26045	4.0 HRS ARR	(OL)	Beyene,A	ONLINE					
	An on-campus orientation is required for this course. Orientation will meet 9:00-10:30 a.m., Friday - August 23 in MCIS 110 at Cerritos College. All exams will be conducted face to face on campus.								
28503	7:35- 8:50AM	TThF	STAFF	NHS*					
	Class# 28503 meets 08/27/2019-12/20/2019 Note: This class takes place at Norwalk High School, 11356 E Leffingwell Rd., Norwalk CA, 90650.								
20295	7:00- 8:50AM	MTWTh	STAFF	PST235					
	Note: Students will have the opportunity to enroll in 2nd 9 week Math 80 #22326 after the 6th week. Class# 20295 meets 08/19/2019-10/17/2019								
22257	9:00-10:50AM	MTWTh	Murugiah,Y	PST235					
	Class# 22257 meets 10/21/2019-12/19/2019								
29408	3:00- 4:50PM	MTWTh	Cortez,D	PST234					
	Targeted for Future Teachers but Open to all Students Class# 29408 meets 10/21/2019-12/19/2019								
MATH 70 - 4.0 UNITS PLANE GEOMETRY									
Not Transferable Prerequisite: MATH 60 or equivalent with a grade of "C" or higher or "Pass" or completion of the math placement process with a score eligible for MATH 70.									
20307	11:30- 1:20PM	MW	Phan,H	PST233					
20308	8:30-10:20AM	TTh	Lewandowski,T	MCIS104					
26916	4:00- 5:50PM	MW	Godwin,S	PST233					
20730	7:30- 9:40PM	MW	Nguimdjou,E	PST233					
	Class# 20730 meets 09/09/2019-12/18/2019								
MATH 75 - 6.0 UNITS MATHEMATICAL LITERACY FOR COLLEGE STUDENTS									
Not Transferable Prerequisite: MATH 40 or equivalent with a grade of "C" or higher or "Pass" or completion of the math placement process with a score eligible for MATH 60. Recommendation: MATH 40 with a grade of "C" or higher or "Pass" within two years prior to enrollment in MATH 75.									
26198	12:30- 2:20PM	MWF	Gillotte,C	MCIS111					
26920	5:30- 8:20PM	MW	Johnson,J	MCIS111					
26921	9:00-10:50AM	MWTh	Mariani,I	MCIS111					
27666	7:00- 8:50AM	TThF	STAFF	MCIS111					
29035	11:00-12:15PM	MTWTh	STAFF	MCIS111					
29036	12:30- 3:20PM	TTh	Niu,K	MCIS111					

MATH 80 - 4.0 UNITS INTERMEDIATE ALGEBRA

Not Transferable
Prerequisite: MATH 60 or equivalent with a grade of "C" or higher or "Pass" or completion of the math placement process with a score eligible for MATH 80.
Recommendation: Meet the prerequisite within two years prior to the date of enrollment in MATH 80.

20311	10:00-11:50AM	MW	Campeau,L	LC209					
	*(SEMI-INDEP SECT - LC209) This math 80 course is a semi-independent course. For more information, please visit www.cerritos.edu/MLC .								
20312	12:00- 1:50PM	MW	Campeau,L	LC209					
	*(SEMI-INDEP SECT - LC209) This math 80 course is a semi-independent course. For more information, please visit www.cerritos.edu/MLC .								
26923	4.0 HRS ARR	(OL)	Byun,E	ONLINE					
	An on-campus orientation is required for this course. Orientation will meet 9:00 - 11:00 a.m., Saturday - August 24 in S201 at Cerritos College.								
20315	9:00-10:50AM	TTh	Worrel,D	LC209					
	*(SEMI-INDEP SECT - LC209) This math 80 course is a semi-independent course. For more information, please visit www.cerritos.edu/MLC .								
20317	12:30- 2:20PM	TTh	Worrel,D	LC209					
	*(SEMI-INDEP SECT - LC209) This math 80 course is a semi-independent course. For more information, please visit www.cerritos.edu/MLC .								
20318	9:00-10:50AM	MW	Calisher,J	MCIS106					
20321	6:00- 7:50PM	MW	Byun,E	MCIS105					
20731	6:00- 7:50PM	MW	Worrel,D	LC209					
	*(SEMI-INDEP SECT - LC209) This math 80 course is a semi-independent course. For more information, please visit www.cerritos.edu/MLC .								
22841	1:00- 2:50PM	TTh	O'Neil,S	MCIS106					
20733	6:00- 7:50PM	TTh	Campeau,L	LC209					
	*(SEMI-INDEP SECT - LC209) This math 80 course is a semi-independent course. For more information, please visit www.cerritos.edu/MLC .								
26792	12:00- 1:50PM	MW	Calisher,J	MCIS106					
24341	4.0 HRS ARR	(OL)	Cortez,D	ONLINE					
	An on-campus orientation is required for this course. Orientation will meet 10:00 - 11:50 a.m., Friday - August 23 in MCIS 109 at Cerritos College.								
25049	9:00-10:50AM	TTh	Lewandowski,P	PST233					
25052	8:00- 9:50AM	MW	Torres,M	MCIS104					
27340	4.0 HRS ARR	(OL)	Byun,E	ONLINE					
	An on-campus orientation is required for this course. Orientation will meet 9:00 - 11:00 a.m., Saturday - August 24 in S201 at Cerritos College.								
28231	3:00- 4:50PM	MW	Worrel,D	MCIS105					
29364	9:00-11:50AM	MW	Lewandowski,T	(HYBRID) MCIS105					
	Students will have the opportunity to enroll in the second 9-week Math 140 (#29365) after the 6th week of class. Note: A portion of the hours for this class will be online. Class# 29364 meets 08/19/2019-10/16/2019								
26473	1:00- 2:50PM	MTWTh	Beyene,A	PST235					
	Note: Students will have the opportunity to enroll in a 2nd 9 week Math 114 (#29393) class after the 6th week. Class# 26473 meets 08/19/2019-10/17/2019								
20316	11:00-12:50PM	MTWTh	Bonakdar,M	PST235					
	Note: Students will have the opportunity to enroll in the second 9-week Math 114 #29029 after the 6th week of class. Class# 20316 meets 08/19/2019-10/17/2019								
22843	3:00- 4:50PM	MTWTh	Trinh,T	PST235					
	Note: Students will have the opportunity to enroll in the second 9-week Math 114 (#29030) after the 6th week of class. Class# 22843 meets 08/19/2019-10/17/2019								
29366	1:00- 2:50PM	MTWTh	Torres,M	PST234					
	Note: Students will have the opportunity to enroll in a 2nd 9 week Math 114 (#29367) after the 6th week. Class# 29366 meets 08/19/2019-10/17/2019								
22326	7:00- 8:50AM	MTWTh	STAFF	PST235					
	Class# 22326 meets 10/21/2019-12/19/2019								
MATH 80A - 3.0 UNITS INTERMEDIATE ALGEBRA I									
Not Transferable Prerequisite: MATH 60 or equivalent with a grade of "C" or higher or "Pass" or completion of the math placement process with a score eligible for MATH 80A. Recommendation: Meet the prerequisite within two years prior to the date of enrollment in MATH 80A.									
20323	10:00-11:15AM	MW	Campeau,L	LC209					
	*(SEMI-INDEP SECT - LC209) This math 80A course is a semi-independent course. For more information, please visit www.cerritos.edu/MLC .								



CERRITOS COLLEGE SUCCESS CENTER

Walk-In Math Tutoring

Monday – Thursday:	9 am	–	9 pm
Friday:	10 am	–	2 pm
Saturday:	10 am	–	3 pm

Math Tutoring Appointments now available!

Visit the Success Center Reception Desk to schedule yours today!!

Math Workshops

- Reducing Math Anxiety • How to Study Math in College •
- Strategies for Taking Math Exams • How to Use a Graphing Calculator

All students should have a Cerritos College ID Card with the current semester sticker.

Hours and staffing may be subject to change, call the Math Success Center at (562) 653-7891 for more information.

Students not in attendance or late for the first class are subject to drop.

Class#	Time	Day	Instructor	Room	Class#	Time	Day	Instructor	Room
20325	12:00- 1:15PM	MW	Campeau,L	LC209	20340	11:00-12:50PM	TTh	Ford,D	MCIS113
*(SEMI-INDEP SECT - LC209) This math 80A course is a semi-independent course. For more information, please visit www.cerritos.edu/MLC .					Not open to students with prior credit in MATH 5. You must also enroll in MATH 5 #29063 This MATH 112 class is part of the FYE Health Occupations House Learning Community, which includes COUN 200 #22518, ENGL 100 #20205, MATH 5 #29063, and SOC 101 #20550. To enroll in the learning community, please complete this contract http://cms.cerritos.edu/lcp/FYE_Contract_Page.htm .				
20326	9:00-10:15AM	TTh	Worrel,D	LC209	22042	7:00- 8:50AM	TTh	Nikdel,M	MCIS113
*(SEMI-INDEP SECT - LC209) This math 80A course is a semi-independent course. For more information, please visit www.cerritos.edu/MLC .					21301 6:00- 7:50PM MW O'Neil,S MCIS108 Not open to students with prior credit in MATH 5. You must also enroll in MATH 5 #29028				
20328	12:30- 1:45PM	TTh	Worrel,D	LC209	21302	2:30- 4:20PM	MW	Conley,A	MCIS113
*(SEMI-INDEP SECT - LC209) This math 80A course is a semi-independent course. For more information, please visit www.cerritos.edu/MLC .					Not open to students with prior credit in MATH 5. You must also enroll in MATH 5 #29045				
20734	6:00- 7:15PM	MW	Worrel,D	LC209	21461	6:00- 7:50PM	TTh	Cedeno,J	MCIS113
*(SEMI-INDEP SECT - LC209) This math 80A course is a semi-independent course. For more information, please visit www.cerritos.edu/MLC .					Not open to students with prior credit in MATH 5. You must also enroll in MATH 5 #29065				
29066	6:00- 7:15PM	TTh	Campeau,L	LC209	24343	8:30-10:20AM	MW	Phan,H	MCIS113
*(SEMI-INDEP SECT - LC209) This math 80A course is a semi-independent course. For more information, please visit www.cerritos.edu/MLC .					Not open to students with prior credit in MATH 5. You must also enroll in MATH 5 #29060				
MATH 80B - 3.0 UNITS INTERMEDIATE ALGEBRA II									
Not Transferable									
Prerequisite: MATH 80A or equivalent with a grade of "C" or higher or "Pass."									
20330	10:00-11:15AM	MW	Campeau,L	LC209	24344	4:00- 5:50PM	TTh	Yi,P	MCIS108
*(SEMI-INDEP SECT - LC209) This math 80B course is a semi-independent course. For more information, please visit www.cerritos.edu/MLC .					Not open to students with prior credit in MATH 5. You must also enroll in MATH 5 #29057				
20331	12:00- 1:15PM	MW	Campeau,L	LC209	24345	8:00- 9:50AM	TTh	Flores,W	MCIS107
*(SEMI-INDEP SECT - LC209) This math 80B course is a semi-independent course. For more information, please visit www.cerritos.edu/MLC .					Not open to students with prior credit in MATH 5. You must also enroll in MATH 5 #29054				
20332	9:00-10:15AM	TTh	Worrel,D	LC209	24346	4.0 HRS ARR	(OL)	Mariani,I	ONLINE
*(SEMI-INDEP SECT - LC209) This math 80B course is a semi-independent course. For more information, please visit www.cerritos.edu/MLC .					An on-campus orientation is required for this course. Orientation will meet 10:00 -12:00 p.m., Friday - August 23 in PST 234 at Cerritos College.				
20334	12:30- 1:45PM	TTh	Worrel,D	LC209	26199	1:00- 2:50PM	MW	O'Neil,S	MCIS108
*(SEMI-INDEP SECT - LC209) This math 80B course is a semi-independent course. For more information, please visit www.cerritos.edu/MLC .					Not open to students with prior credit in MATH 5. You must also enroll in MATH 5 #29046				
20737	6:00- 7:15PM	TTh	Campeau,L	LC209	26917	2:00- 3:50PM	TTh	Cedeno,J	MCIS113
*(SEMI-INDEP SECT - LC209) This math 80B course is a semi-independent course. For more information, please visit www.cerritos.edu/MLC .					Not open to students with prior credit in MATH 5. You must also enroll in MATH 5 #29064				
29067	6:00- 7:15PM	MW	Worrel,D	LC209	26918	4:00- 5:50PM	MW	O'Neil,S	MCIS108
*(SEMI-INDEP SECT - LC209) This math 80B course is a semi-independent course. For more information, please visit www.cerritos.edu/MLC .					26919 2:30- 4:20PM MW Tran,L MCIS111 Not open to students with prior credit in MATH 5. You must also enroll in MATH 5 #29059				
MATH 110A - 3.0 UNITS MATHEMATICS FOR ELEMENTARY TEACHERS									
Transferable to UC, CSU									
Prerequisite: MATH 80 or MATH 80B or equivalent with a grade of "C" or higher or "Pass" or completion of the math placement process with a score eligible for MATH courses numbered 100 level or higher and MATH 70 or equivalent with a grade of "C" or higher or "Pass."									
A graphing calculator is required for this course. A Texas Instruments 83+, 84, or 84+, is strongly recommended.									
22655	4:00- 5:30PM	TTh	Perez,L	PST233	27341	1:00- 2:50PM	TTh	Sarvi,K	MCIS108
Targeted for Future Teachers but Open to all Students 5:30- 5:50PM TTh Perez,L PST233					Not open to students with prior credit in MATH 5. You must also enroll in MATH 5 #29056				
29015	6:00- 7:30PM	TTh	Perez,L	PST233	27342	8:00- 9:50AM	TTh	Pham,M	MCIS108
Targeted for Future Teachers but Open to all Students 7:30- 7:50PM TTh Perez,L PST233 Targeted for Future Teachers but Open to all Students					Not open to students with prior credit in MATH 5. You must also enroll in MATH 5 #29055				
MATH 112 - 4.0 UNITS ELEMENTARY STATISTICS									
Transferable to UC, CSU (CAN STAT 2)									
Prerequisite: MATH 80 or MATH 80B or equivalent with a grade of "C" or higher or "Pass" or completion of the math placement process with a score eligible for MATH courses numbered 100 level or higher.									
A graphing calculator is required for this course. A Texas Instruments 83+, 84, or 84+, is strongly recommended.									
20338	3:30- 5:20PM	TTh	Gonzalez,A	MCIS111	27343	11:00-12:50PM	TTh	Flores,W	MCIS108
Not open to students with prior credit in MATH 5. You must also enroll in MATH 5 #29058					27670 5:30- 7:20PM MW Tran,L MCIS113 Not open to students with prior credit in MATH 5. You must also enroll in MATH 5 #29062				
20339	9:00-10:50AM	TTh	Nikdel,M	MCIS113	28156	11:30- 1:20PM	MW	Mariani,I	MCIS113
					Not open to students with prior credit in MATH 5. You must also enroll in MATH 5 #29061				
MATH 110A - 3.0 UNITS MATHEMATICS FOR ELEMENTARY TEACHERS									
Transferable to UC, CSU									
Prerequisite: MATH 80 or MATH 80B or equivalent with a grade of "C" or higher or "Pass" or completion of the math placement process with a score eligible for MATH courses numbered 100 level or higher and MATH 70 or equivalent with a grade of "C" or higher or "Pass."									
A graphing calculator is required for this course. A Texas Instruments 83+, 84, or 84+, is strongly recommended.									
22655	4:00- 5:30PM	TTh	Perez,L	PST233	28157	8:00- 9:50AM	MW	Morales,M	MCIS108
Targeted for Future Teachers but Open to all Students 5:30- 5:50PM TTh Perez,L PST233					Not open to students with prior credit in MATH 5. You must also enroll in MATH 5 #29047				
29015	6:00- 7:30PM	TTh	Perez,L	PST233	28842	10:00-11:50AM	MW	Conley,A	MCIS104
Targeted for Future Teachers but Open to all Students 7:30- 7:50PM TTh Perez,L PST233 Targeted for Future Teachers but Open to all Students					Not open to students with prior credit in MATH 5. You must also enroll in MATH 5 #29048				
MATH 112 - 4.0 UNITS ELEMENTARY STATISTICS									
Transferable to UC, CSU (CAN STAT 2)									
Prerequisite: MATH 80 or MATH 80B or equivalent with a grade of "C" or higher or "Pass" or completion of the math placement process with a score eligible for MATH courses numbered 100 level or higher.									
A graphing calculator is required for this course. A Texas Instruments 83+, 84, or 84+, is strongly recommended.									
20338	3:30- 5:20PM	TTh	Gonzalez,A	MCIS111	29037	12:00- 1:50PM	MW	Cortez,D	MCIS107
Not open to students with prior credit in MATH 5. You must also enroll in MATH 5 #29058					Not open to students with prior credit in MATH 5. You must also enroll in MATH 5 #29027				
20339	9:00-10:50AM	TTh	Nikdel,M	MCIS113	29038	4.0 HRS ARR	(OL)	Lewandowski,T	ONLINE
					An on-campus orientation is required for this course. Orientation will meet 10:00-11:00 a.m., Friday - August 23 in PST 237 at Cerritos College.				
MATH 110A - 3.0 UNITS MATHEMATICS FOR ELEMENTARY TEACHERS									
Transferable to UC, CSU									
Prerequisite: MATH 80 or MATH 80B or equivalent with a grade of "C" or higher or "Pass" or completion of the math placement process with a score eligible for MATH courses numbered 100 level or higher and MATH 70 or equivalent with a grade of "C" or higher or "Pass."									
A graphing calculator is required for this course. A Texas Instruments 83+, 84, or 84+, is strongly recommended.									
22655	4:00- 5:30PM	TTh	Perez,L	PST233	29039	4.0 HRS ARR	(OL)	Nikdel,M	ONLINE
Targeted for Future Teachers but Open to all Students 5:30- 5:50PM TTh Perez,L PST233					An on-campus orientation is required for this course. Orientation will meet 9:00 -11:00 a.m., Friday - August 23 in MCIS 107 at Cerritos College.				
29015	6:00- 7:30PM	TTh	Perez,L	PST233	29040	8:30-10:20AM	MW	Nguimdjou,E	MCIS107
Targeted for Future Teachers but Open to all Students 7:30- 7:50PM TTh Perez,L PST233 Targeted for Future Teachers but Open to all Students					Not open to students with prior credit in MATH 5. You must also enroll in MATH 5 #29049				
MATH 112 - 4.0 UNITS ELEMENTARY STATISTICS									
Transferable to UC, CSU (CAN STAT 2)									
Prerequisite: MATH 80 or MATH 80B or equivalent with a grade of "C" or higher or "Pass" or completion of the math placement process with a score eligible for MATH courses numbered 100 level or higher.									
A graphing calculator is required for this course. A Texas Instruments 83+, 84, or 84+, is strongly recommended.									
20338	3:30- 5:20PM	TTh	Gonzalez,A	MCIS111	29041	3:30- 5:20PM	MW	Montegary,M	MCIS107
Not open to students with prior credit in MATH 5. You must also enroll in MATH 5 #29058					Not open to students with prior credit in MATH 5. You must also enroll in MATH 5 #29050				
20339	9:00-10:50AM	TTh	Nikdel,M	MCIS113	29042	7:00-8:50PM	MW	Montegary,M	MCIS107
					Not open to students with prior credit in MATH 5. You must also enroll in MATH 5 #29051				

Students not in attendance or late for the first class are subject to drop.

Class#	Time	Day	Instructor	Room	Class#	Time	Day	Instructor	Room
29043	11:30- 1:20PM	TTh	Tran,T	MCIS107	20741	3:00- 4:50PM	MW	Cho,A	PST237
Not open to students with prior credit in MATH 5. You must also enroll in MATH 5 #29052					Not open to students with prior credit in MATH 5. You must also enroll in MATH 5 #29019				
29044	3:00- 4:50PM	TTh	Huang,F	MCIS107	20742	6:00- 7:50PM	TTh	Campeau,L	LC209
Not open to students with prior credit in MATH 5. You must also enroll in MATH 5 #29053					*(SEMI-INDEP SECT - LC209) This math 114 course is a semi-independent course. For more information, please visit www.cerritos.edu/MLC .				
29371	11:00-12:50PM	TTh	Ninh,J	MCIS105	21752	8:00- 9:50PM	TTh	Daigle,M	PST237
29372	5:00- 6:50PM	TTh	Gillotte,C	MCIS105	22806	8:00- 9:50AM	TTh	Cho,A	PST237
29373	8:00- 9:50AM	MW	Nikdel,M	PST233	Not open to students with prior credit in MATH 5. You must also enroll in MATH 5 #29021				
29374	2:00- 3:50PM	MW	Hugen,M	MCIS104	This MATH 114 class is part of the FYE Business House Learning Community, which includes BA 100 #21250, COUN 200 #26201, ENGL 100 #25967, and MATH 5 #29021. To enroll in the learning community, please complete this contract http://cms.cerritos.edu/lcp/FYE_Contract_Page.htm .				
29375	12:00- 1:50PM	TTh	Valentine,M	MCIS104	22391	4.0 HRS ARR	(OL)	Beyene,A	ONLINE
29376	5:00- 6:50PM	TTh	Hultman,J	MCIS104	An on-campus orientation is required for this course. Orientation will meet 10:30 a.m.-12:00 p.m., Friday - August 23 in MCIS 110 at Cerritos College.				
29379	8:00- 9:50PM	TTh	Huang,F	MCIS107	All exams will be conducted face to face on campus.				
29380	8:00- 9:50PM	TTh	Igolnikov,M	MCIS105	23415	6:00- 7:50PM	MW	Worrel,D	LC209
29381	5:00- 6:50PM	MW	Ojose,E	MCIS104	*(SEMI-INDEP SECT - LC209) This math 114 course is a semi-independent course. For more information, please visit www.cerritos.edu/MLC .				
29382	2:00- 3:50PM	TTh	Ninh,J	MCIS105	29023	4:00- 5:50PM	TTh	Campeau,L	PST237
29383	11:00-12:50PM	TTh	Pham,M	MCIS106	Not open to student with prior credit in MATH 5. You must also enroll in MATH 5 #29024				
29384	6:00- 7:50PM	TTh	Igolnikov,M	PST237	29025	1:00- 2:50PM	TTh	Budarin,D	PST237
29385	11:00- 12:50PM	MW	Lai,K	LM21*	Not open to students with prior credit in MATH 5. You must also enroll in MATH 5 #29026				
29386	9:00-10:50AM	MW	Lai,K	LM21*	29033	4.0 HRS ARR		Calisher,J	ONLINE
Note: This class takes place at our satellite campus La Mirada Adult Center, 15310 Alondra Blvd., CA 90638 in Room #21					An on-campus orientation is required for this course. Orientation will meet 8:00-9:00 a.m., Friday - August 23 in PST 237 at Cerritos College.				
28736	7:00- 9:10PM	TTh	Gonzalez,A	MCIS108	29392	9:00-10:50AM	TTh	Budarin,D	MCIS105
Class# 28736 meets 09/10/2019-12/19/2019					29394	9:00-10:50AM	TTh	Torres,M	MCIS106
29387	1:00- 3:10PM	TTh	STAFF	LM21*	29399	7:00- 8:50AM	TTh	Budarin,D	MCIS106
Note: This class takes place at our satellite campus La Mirada Adult Center, 15310 Alondra Blvd., CA 90638 in Room #21					29439	4.0 HRS ARR	(OL)	Lewandowski,P	ONLINE
Class# 29387 meets 09/10/2019-12/19/2019					Note: An on-campus orientation is required for this course. Orientation will meet 10:00-11:00a.m., Friday - August 23 in PST 233 at Cerritos College.				
29388	7:00- 9:10PM	TTh	Yi,P	MCIS106	29440	4.0 HRS ARR	(OL)	Lewandowski,P	ONLINE
Class# 29388 meets 09/10/2019-12/19/2019					Note: An on-campus orientation is required for this course. Orientation will meet 11:00-12:00p.m., Friday - August 23 in PST 233 at Cerritos College.				
29368	5:00- 6:50PM	MTWTh	Lopez,M	PST235	22300	7:30- 9:40AM	MW	Budarin,D	PST237
Class# 29368 meets 08/19/2019-10/17/2019					Class# 22300 meets 09/09/2019-12/18/2019				
29377	9:00-10:50AM	MTWTh	Hugen,M	PST234	29400	6:00- 8:10PM	MW	Godwin,S	MCIS106
Class# 29377 meets 08/19/2019-10/17/2019					Class# 29400 meets 09/09/2019-12/18/2019				
29378	7:00-8:50PM	MTWTh	Aguilar Bastida,R	PST234	29401	9:00-10:50AM	FSat	Riasati,M	PST235
Class# 29378 meets 08/19/2019-10/17/2019					Class# 29401 meets 08/23/2019-12/14/2019				
29369	9:00-10:50AM	MTWTh	Ford,D	MP105	29402	11:30- 1:20PM	FSat	Riasati,M	PST235
Class# 29369 meets 10/21/2019-12/19/2019					Class# 29402 meets 08/23/2019-12/14/2019				
29370	5:00- 6:50PM	MTWTh	Lopez,M	PST235	29032	7:00- 8:50PM	MTWTh	Roque,T	PST235
Class# 29370 meets 10/21/2019-12/19/2019					Class# 29032 meets 08/19/2019-10/17/2019				
29389	11:00-12:50PM	MTWTh	Ortiz,L	PST234	29395	7:00- 8:50AM	MTWTh	Beyene,A	PST234
Class# 29389 meets 10/21/2019-12/19/2019					Class# 29395 meets 08/19/2019-10/17/2019				
29390	9:00-10:50AM	MTWTh	Hugen,M	PST234	29397	5:00-6:50PM	MTWTh	Trinh,T	PST234
Class# 29390 meets 10/21/2019-12/19/2019					Class# 29397 meets 08/19/2019-10/17/2019				
29391	7:00- 8:50PM	MTWTh	STAFF	PST234	29029	11:00-12:50PM	MTWTh	Bonakdar,M	PST235
Class# 29391 meets 10/21/2019-12/19/2019					Class# 29029 meets 10/21/2019-12/19/2019				
MATH 114 - 4.0 UNITS COLLEGE ALGEBRA					MATH 116 - 4.0 UNITS CALCULUS FOR MANAGERIAL, BIOLOGICAL AND SOCIAL SCIENCES				
Transferable to UC, CSU					Transferable to UC, CSU (CAN MATH 34)				
Prerequisite: MATH 80 or MATH 80B or equivalent with a grade of "C" or higher or "Pass" or completion of the math placement process with a score eligible for MATH courses 100 level or higher.					Prerequisite: MATH 114 or equivalent with a grade of "C" or higher or "Pass" or completion of the math placement process with a score eligible for MATH 116.				
A graphing calculator is required for this course. A Texas Instruments 83+, 84, or 84+, is strongly recommended.					A graphing calculator is required for this course. A Texas Instruments 83+, 84, or 84+, is strongly recommended.				
20341	1:00- 2:50PM	MW	Cho,A	PST237	20743	6:00- 7:50PM	TTh	Daigle,M	MCIS107
Not open to students with prior credit in MATH 5. You must also enroll in MATH 5 #29018					21274	1:30- 3:20PM	TTh	Lewandowski,P	PST233
20342	10:00-11:50AM	MW	Budarin,D	PST237	29403	4:30- 6:20PM	TTh	Bateman,M	MCIS106
Not open to students with prior credit in MATH 5. You must also enroll in MATH 5 #29017									
20343	12:00- 1:50PM	MW	Campeau,L	LC209					
*(SEMI-INDEP SECT - LC209) This math 114 course is a semi-independent course. For more information, please visit www.cerritos.edu/MLC .									
25895	4.0 HRS ARR	(OL)	Lewandowski,T	ONLINE					
An on-campus orientation is required for this course. Orientation will meet 11:00 a.m.-12:00 p.m., Friday - August 23 in PST 237 at Cerritos College.									
26016	11:00-12:50PM	TTh	Sarvi,K	PST237					
Not open to students with prior credit in MATH 5. You must also enroll in MATH 5 #29022									
20739	9:00-10:50AM	TTh	Worrel,D	LC209					
*(SEMI-INDEP SECT - LC209) This math 114 course is a semi-independent course. For more information, please visit www.cerritos.edu/MLC .									
20740	6:00- 7:50PM	MW	Pallwitz,K	PST237					
Not open to students with prior credit in MATH 5. You must also enroll in MATH 5 #29020									

Students not in attendance or late for the first class are subject to drop.

Class#	Time	Day	Instructor	Room	Class#	Time	Day	Instructor	Room
MATH 140 - 3.0 UNITS TRIGONOMETRY					20750 1:30- 3:20PM TTh Leon Jr.,R MCIS110				
Transferable to CSU (CAN MATH 8)					22393 9:00-10:50AM TTh Morales,M MCIS109				
Prerequisite: MATH 80 or MATH 80B or equivalent with a grade of "C" or higher or "Pass" or completion of the math placement process with a score eligible for MATH courses numbered 100 level or higher and MATH 70 or equivalent with a grade of "C" or higher or "Pass."					29014 11:00-12:50PM MW Morales,M MCIS108				
A graphing calculator is required for this course. A Texas Instruments 83+, 84, or 84+, is strongly recommended.					MATH 225 - 5.0 UNITS CALCULUS III				
22808 6:00- 7:15PM MW Morales,M PST233					Transferable to UC, CSU				
20349 10:00-11:15AM MW Campeau,L LC209					Prerequisite: MATH 190 or equivalent with a grade of "C" or higher or "Pass."				
*(SEMI-INDEP SECT - LC209)					A graphing calculator is required for this course. A Texas Instruments 83+, 84, or 84+, is strongly recommended.				
This math 140 course is a semi-independent course. For more information, please visit www.cerritos.edu/MLC.					27209 8:30-10:45AM TTh Conley,A MCIS110				
22809 8:00- 9:15PM TTh Burniston,M PST233					27210 6:00- 8:15PM MW Leon Jr.,R MCIS109				
22847 12:00- 1:15PM TTh Ngo,H PST233					MATH 250 - 5.0 UNITS LINEAR ALGEBRA AND DIFFERENTIAL EQUATIONS				
20350 12:30- 1:45PM TTh Worrel,D LC209					Transferable to UC, CSU				
*(SEMI-INDEP SECT - LC209)					Prerequisite: MATH 190 or equivalent with a grade of "C" or higher or "Pass."				
This math 140 course is a semi-independent course. For more information, please visit www.cerritos.edu/MLC.					Recommendation: MATH 220 or MATH 225 or equivalent with a grade of "C" or higher or "Pass."				
20351 7:00- 8:15AM TTh Calisher,J PST233					A graphing calculator is required for this course. A Texas Instruments 83+, 84, or 84+, is strongly recommended.				
20744 6:00- 7:15PM MW Worrel,D LC209					24348 11:00- 1:15PM MW Nikdel,M MCIS109				
*(SEMI-INDEP SECT - LC209)									
This math 140 course is a semi-independent course. For more information, please visit www.cerritos.edu/MLC.									
20745 9:00-10:15AM TTh Worrel,D LC209									
*(SEMI-INDEP SECT - LC209)									
This math 140 course is a semi-independent course. For more information, please visit www.cerritos.edu/MLC.									
20746 6:00- 7:15PM TTh Campeau,L LC209									
*(SEMI-INDEP SECT - LC209)									
This math 140 course is a semi-independent course. For more information, please visit www.cerritos.edu/MLC.									
20747 10:30-11:45AM TTh Ngo,H MCIS104									
24347 10:00-11:15AM MW STAFF PST233									
29012 3:30- 4:45PM TTh Leon Jr.,R MCIS110									
29404 8:30- 9:45PM MW Johnson,J MCIS104									
29407 3:00- 4:15PM MW Leon Jr.,R MCIS106									
28409 2:00- 3:35PM MW Takeuchi,K MCIS109									
Class# 28409 meets 09/09/2019-12/18/2019									
29365 9:00-11:50AM MW Lewandowski,T MCIS105									
Class# 29365 meets 10/21/2019-12/18/2019									
29405 11:00-12:15PM MTWTh STAFF PST234									
Class# 29405 meets 08/19/2019-10/17/2019									
MATH 155 - 5.0 UNITS PRECALCULUS									
Transferable to CSU									
Prerequisite: MATH 140 or equivalent with a grade of "C" or higher or "Pass" or completion of the math placement process with a score eligible for MATH 155.									
A graphing calculator is required for this course. A Texas Instruments 83+, 84, or 84+, is strongly recommended.									
26460 5:00- 7:15PM TTh George,P MCIS110									
26461 8:15-10:30AM MW STAFF MCIS110									
26462 11:00- 1:15PM TTh Chung,P MCIS110									
26463 12:30- 2:45PM MW Byun,E MCIS110									
26464 7:30- 9:45PM TTh Yu,A MCIS110									
28410 6:30- 8:45PM TTh Bateman,M MCIS111									
29013 3:00- 5:15PM MW Byun,E MCIS110									
MATH 170 - 4.0 UNITS ANALYTIC GEOMETRY AND CALCULUS I									
Transferable to UC, CSU (CAN MATH 18)(CAN MATH SEQ C)									
Prerequisite: MATH 150 or MATH 155 or equivalent with a grade of "C" or higher or "Pass" or completion of the math placement process with a score eligible for MATH 170.									
A graphing calculator is required for this course. A Texas Instruments 83+, 84, or 84+, is strongly recommended.									
20354 9:00-10:50AM MW McCance,I MCIS109									
20355 7:00- 8:50PM TTh Trinh,T MCIS109									
20356 1:00- 2:50PM TTh George,P MCIS109									
20749 5:30- 7:20PM MW George,P MCIS110									
22255 10:30-12:20PM MW Chalmers,G MCIS110									
28408 9:00-10:50AM TF McCance,I MCIS111									
29034 7:00- 8:50AM MW Hugen,M MCIS111									
MATH 190 - 4.0 UNITS ANALYTIC GEOMETRY AND CALCULUS II									
Transferable to UC, CSU (CAN MATH 20)(CAN MATH SEQ C)									
Prerequisite: MATH 170 or equivalent with a grade of "C" or higher or "Pass."									
A graphing calculator is required for this course. A Texas Instruments 83+, 84, or 84+, is strongly recommended.									
20357 7:30- 9:20PM MW George,P MCIS110									

MEDICAL ASSISTANT

Additional MEDICAL ASSISTING DEPARTMENT courses are listed under Health Occupations (HO 53, HO 54, and HO 55). Clearance of a criminal background check and/or drugs of abuse testing may be required prior to clinical field experience.

MA 60 - 2.0 UNITS INTRODUCTION TO MEDICAL ASSISTING
Not Transferable
20714 4:00- 5:50PM M STAFF SL109

MA 63 - 3.0 UNITS HEALTH INSURANCE CODING AND BILLING
Not Transferable
Recommendation: MA 161 or equivalent with a grade of "C" or higher or "Pass."
24195 6:00- 8:50PM M STAFF SL109

MA 64 - 3.0 UNITS MEDICAL OFFICE ASSISTING
Not Transferable
NOTE: a material fee of \$8.50 is required for MA 64
20716 5:00- 7:00PM Th STAFF SL105
7:00- 9:50PM Th STAFF SL105

MA 66 - 3.0 UNITS MEDICATIONS AND SPECIALTIES
Not Transferable
NOTE: a material fee of \$36.00 is required for MA 66
26861 9:00-11:00AM T STAFF SL105
11:00- 1:50PM T STAFF SL105

MA 67 - 3.0 UNITS MEDICAL OFFICE ADMINISTRATION
Not Transferable
Prerequisite: MA 60.
Recommendation: BCOT 62 and BCOT 3T or equivalent with grades of Pass or "C" or higher.
26863 9:00-11:50AM Th STAFF SL105

MA 68 - 4.0 UNITS MEDICAL ASSISTING INTERNSHIP EXPERIENCE
Not Transferable
Prerequisite: MA 60, MA 62A and MA 62B or MA 63, and MA 64, MA 161, HO 53, HO 54, HO 55 or equivalent with grades of "C" or higher or "Pass."
Corequisite: MA 66 and MA 67 or prior completion with a grade of "Pass" or "C" or higher.
26864 9:00- 9:50AM F STAFF SL105
+10.0 HRS ARR STAFF

MA 73 - 3.0 UNITS MEDICAL ASSISTANT OCCUPATIONAL WORK EXPERIENCE
Not Transferable
Prerequisite: MA 60, MA 62A and MA 62B or MA 63, and MA 64, MA 161, HO 53, HO 54, HO 55 or equivalent with grades of "C" or higher or "Pass."
Corequisite: MA 66 and MA 67 or prior completion with a grade of "Pass" or "C" or higher.
28224 9:00- 9:50AM F STAFF SL105

Class#	Time	Day	Instructor	Room	Class#	Time	Day	Instructor	Room
MA 74 - 4.0 UNITS MEDICAL ASSISTANT OCCUPATIONAL WORK EXPERIENCE Not Transferable Prerequisite: MA 60, MA 62A and MA 62B or MA 63, and MA 64, MA 161, HO 53, HO 54, HO 55 or equivalent with grades of "C" or higher or "Pass." Corequisite: MA 66 and MA 67 or prior completion with a grade of "Pass" or "C" or higher.					MUS 105 - 3.0 UNITS MUSIC FUNDAMENTALS Transferable to UC, CSU				
28225	9:00-9:50AM	F	STAFF	SL105	20364	11:00-12:20PM	MW	DeMichele,A	BC 68
MA 161 - 3.0 UNITS MEDICAL TERMINOLOGY Transferable to CSU					22711 8:00-9:20AM TTh Tsai,S BC 51 20365 3.0 HRS ARR (OL) Lopez,C ONLINE Note: This is an ONLINE course – all instruction is completed online. No in-person orientation. Please check Canvas for online orientation information and directions for completion (instructor e-mail address: clopez@cerritos.edu).				
20277	9:00-11:50AM	M	STAFF	SL109	20366	2:00-3:20PM	MW	STAFF	BC 68
20718	7:00-9:50PM	W	STAFF	SL109	20368	2:00-3:20PM	TTh	Da Silva,P	BC 68
21341	3.0 HRS ARR	(OL)	Schmidt,C	ONLINE	27692	3.0 HRS ARR	(OL)	Betancourt,D	ONLINE
24196	3.0 HRS ARR	(OL)	Artates,E	ONLINE	Note: This is an ONLINE course – all instruction is completed online. No in-person orientation. Please check Canvas for online orientation information and directions for completion (instructor e-mail address: dbetancourt@cerritos.edu).				

MICROBIOLOGY

MICR 200 - 5.0 UNITS PRINCIPLES AND APPLICATIONS OF MICROBIOLOGY Transferable to UC, CSU (CAN BIOL 14) Prerequisite: CHEM 100 or BIOL 120 or ZOOL 120 or equivalent with a grade of "C" or higher or "Pass."				
20358	12:30-1:45PM	MW	Rojas,S	S 202
Note: PLEASE ENROLL IN LAB SECTION OF YOUR CHOICE. THE LECTURE SECTION #20358 WILL AUTOMATICALLY BE ASSIGNED.				
20359	9:00-11:50AM	MW	Rojas,S	S 117
20360	2:00-4:50PM	MW	Cocca,S	S 117
21492	1:30-4:20PM	TTh	Rojas,S	S 117
20753	5:30-6:45PM	TTh	Rojas,S	S 202
Note: PLEASE ENROLL IN LAB SECTION OF YOUR CHOICE. THE LECTURE SECTION #20753 WILL AUTOMATICALLY BE ASSIGNED.				
20754	7:00-9:50PM	MW	Souki,S	S 117
20755	7:00-9:50PM	TTh	STAFF	S 117

MUSIC

MUS 100 - 3.0 UNITS MUSIC APPRECIATION "FIELD TRIPS TO LOCAL MUSIC PRODUCTIONS MAY BE REQUIRED If so, students provide their own tickets – please check with your instructor for specific event information." Transferable to UC, CSU				
20361	9:30-12:20PM	F	Lee,S	BC 53
23964	11:00-12:20PM	TTh	Dimond,T	BC 53
24371	12:30-1:50PM	MW	Dillon,R	BC 53
27048	3.0 HRS ARR	(OL)	Pacier,P	ONLINE
Note: This is an ONLINE course – all instruction is completed online. No in-person orientation. Please check Canvas for online orientation information and directions for completion (instructor e-mail address: ppacier@cerritos.edu).				
MUS 101 - 3.0 UNITS INTRODUCTION TO WORLD MUSIC Transferable to UC, CSU				
20363	3.0 HRS ARR	(OL)	Pacier,P	ONLINE
Note: This is an ONLINE course – all instruction is completed online. No in-person orientation. Please check Canvas for online orientation information and directions for completion (instructor e-mail address: ppacier@cerritos.edu).				
MUS 104B - 3.0 UNITS HISTORY OF ROCK MUSIC Transferable to UC, CSU				
20757	7:00-9:50PM	Th	Carroll II,D	BC 51
21860	3.0 HRS ARR	(OL)	Simmons,J	ONLINE
Note: This is an ONLINE course – all instruction is completed online. No in-person orientation. Please check Canvas for online orientation information and directions for completion (instructor e-mail address: jsimmons@cerritos.edu).				
25998	3.0 HRS ARR	(OL)	Simmons,J	ONLINE
Note: This is an ONLINE course – all instruction is completed online. No in-person orientation. Please check Canvas for online orientation information and directions for completion (instructor e-mail address: jsimmons@cerritos.edu).				
22128	6.0 HRS ARR	(OL)	Simmons,J	ONLINE
Note: This is an ONLINE course – all instruction is completed online. No in-person orientation. Please check Canvas for online orientation information and directions for completion (instructor e-mail address: jsimmons@cerritos.edu). Class# 22128 meets 08/19/2019-10/16/2019				

MUS 110 - 3.0 UNITS MUSIC TECHNOLOGY FUNDAMENTALS Transferable to CSU Recommendation: Completion of MUS 105 or equivalent with a grade of "C" or higher or "Pass" and completion of ENGL 52 or ENGL 72 or ESL 152 or equivalent with a grade of "C" or higher or "Pass" or completion of the English Placement Process with a score eligible for ENGL 100.				
24373	11:00-1:50PM	M	Maz,A	BC61A
This course covers the fundamental vocabulary, techniques, concepts, and devices used in contemporary music production and related media fields. Topics include sound fundamentals, professional audio equipment, computers, music production software, recording studios, MIDI, electronic music, audio-visual productions, and film. This course is required of all Commercial Music majors and is a prerequisite for all other commercial music courses.				
MUS 112 - 2.0 UNITS ELEMENTARY PIANO I Transferable to UC, CSU (CAN MUS 22)				
20370	11:00-11:50AM	TTh	Lee,S	BC 68
	11:50-12:20PM	TTh	Lee,S	BC 68
20759	6:30-8:30PM	Th	Chen,J	BC 68
	8:30-9:20PM	Th	Chen,J	BC 68
21297	9:30-10:20AM	TTh	Lopez,C	BC 68
	10:20-10:50AM	TTh	Lopez,C	BC 68
21478	12:30-1:30PM	MW	Lopez,C	BC 68
	1:30-1:50PM	MW	Lopez,C	BC 68
MUS 113 - 2.0 UNITS ELEMENTARY PIANO II Transferable to UC, CSU (CAN MUS 24) Prerequisite: MUS 112 or equivalent with a grade of Pass or "C" or higher.				
21312	9:30-10:30AM	MW	Lopez,C	BC 68
	10:30-10:50AM	MW	Lopez,C	BC 68
21666	6:30-8:30PM	Th	Chen,J	BC 68
	8:30-9:20PM	Th	Chen,J	BC 68
MUS 114 - 2.0 UNITS INTERMEDIATE PIANO I Transferable to UC, CSU Prerequisite: MUS 113 or equivalent with a grade of Pass or "C" or higher.				
20372	9:30-10:30AM	MW	Lopez,C	BC 68
	10:30-10:50AM	MW	Lopez,C	BC 68
21668	6:30-8:30PM	Th	Chen,J	BC 68
	8:30-9:20PM	Th	Chen,J	BC 68
MUS 115 - 2.0 UNITS INTERMEDIATE PIANO II Transferable to UC, CSU Prerequisite: MUS 114 or equivalent with a grade of Pass or "C" or higher.				
21310	9:30-10:30AM	MW	Lopez,C	BC 68
	10:30-10:50AM	MW	Lopez,C	BC 68
21670	6:30-8:30PM	Th	Chen,J	BC 68
	8:30-9:20PM	Th	Chen,J	BC 68
MUS 116 - 2.0 UNITS VOICE I Transferable to UC, CSU				
20373	12:30-1:30PM	MW	DeMichele,A	BC 51
	1:30-1:50PM	MW	DeMichele,A	BC 51
20907	9:30-10:30AM	TTh	DeMichele,A	BC 51
	10:30-10:50AM	TTh	DeMichele,A	BC 51
MUS 117 - 2.0 UNITS VOICE II Transferable to UC, CSU Prerequisite: MUS 116 or equivalent with a grade of Pass or "C" or higher.				
20908	9:30-10:30AM	TTh	DeMichele,A	BC 51
	10:30-10:50AM	TTh	DeMichele,A	BC 51
21672	12:30-1:30PM	MW	DeMichele,A	BC 51
	1:30-1:50PM	MW	DeMichele,A	BC 51

Students not in attendance or late for the first class are subject to drop.

Class#	Time	Day	Instructor	Room	Class#	Time	Day	Instructor	Room
MUS 118 - 2.0 UNITS VOICE III Transferable to UC, CSU Prerequisite: MUS 117 or equivalent with a grade of Pass or "C" or higher.									
21674	12:30- 1:30PM	MW	DeMichele,A	BC 51					
	1:30- 1:50PM	MW	DeMichele,A	BC 51					
21200	9:30-10:30AM	TTh	DeMichele,A	BC 51					
	10:30-10:50AM	TTh	DeMichele,A	BC 51					
MUS 119 - 2.0 UNITS VOICE IV Transferable to UC, CSU Prerequisite: MUS 118 or equivalent with a grade of Pass or "C" or higher.									
21295	9:30-10:30AM	TTh	DeMichele,A	BC 51					
	10:30-10:50AM	TTh	DeMichele,A	BC 51					
21678	12:30- 1:30PM	MW	DeMichele,A	BC 51					
	1:30- 1:50PM	MW	DeMichele,A	BC 51					
MUS 120 - 2.0 UNITS ELEMENTARY GUITAR I Transferable to UC, CSU									
21304	2:00- 4:00PM	M	Torres,M	BC 51					
	4:00- 4:50PM	M	Torres,M	BC 51					
MUS 121 - 2.0 UNITS ELEMENTARY GUITAR II Transferable to UC, CSU Prerequisite: MUS 120 or equivalent with a grade of Pass or "C" or higher.									
21306	2:00- 4:00PM	M	Torres,M	BC 51					
	4:00- 4:50PM	M	Torres,M	BC 51					
MUS 122 - 2.0 UNITS INTERMEDIATE GUITAR I Transferable to UC, CSU Prerequisite: MUS 121 or equivalent with a grade of Pass or "C" or higher.									
22033	2:00- 4:00PM	M	Torres,M	BC 51					
	4:00- 4:50PM	M	Torres,M	BC 51					
MUS 123 - 2.0 UNITS INTERMEDIATE GUITAR II Transferable to UC, CSU Prerequisite: MUS 122 or equivalent with a grade of Pass or "C" or higher.									
21317	2:00- 4:00PM	M	Torres,M	BC 51					
	4:00- 4:50PM	M	Torres,M	BC 51					
MUS 135 - 3.0 UNITS THIS BUSINESS OF MUSIC Transferable to CSU									
24384	6:00- 8:50PM	M	STAFF	BC 51					
This course focuses on the music business as it relates to the market place and job opportunities. Topics include the process of promotion, publicity, management, touring, recording, contracts, accounting, artist relations and development, marketing, advertising, copyrights, and related music fields.									
MUS 144B - 2.0 UNITS ELECTRONIC MUSIC PRODUCTION Transferable to CSU Prerequisite: MUS 144 or MUS 144A or equivalent with a grade of "C" or higher or "Pass". Recommendation: Completion of ENGL 52 or ENGL 72 or ESL 152 or equivalents with a grade of "C" or higher or "Pass" or completion of the English Placement Process with a score eligible for ENGL 100.									
24367	2:00- 4:00PM	Th	Maz,A	BC61A					
	4:00- 5:50PM	Th	Maz,A	BC61A					
This class introduces advanced MIDI, synthesis, and music production techniques used for music, film, and television. The course covers synchronization, remixing, sound design, rhythm programming, notation, and basic MIDI orchestration. Several compositions will be required of all students. Students will create projects on Logic Pro X, Ableton, and Pro Tools.									
MUS 146B - 2.5 UNITS MIXING TECHNIQUES Transferable to CSU Prerequisite: Completion of MUS 146A or MUS 146 or equivalent with a grade of "C" or higher or "Pass". Recommendation: Completion of ENGL 52 or ENGL 72 or ESL 152 or equivalent with a grade of "C" or higher or "Pass" or completion of the English Placement Process with a score eligible for ENGL 100.									
26420	2:00- 4:00PM	T	Maz,A	BC61A					
	4:00- 5:50PM	T	Maz,A	BC61A					
This course covers the methods of audio mixing in the studio, covering a variety of music genres. It includes the technical, as well as the artistic, aspects of mixing. Emphasis will be placed on the practical mixing strategies and techniques. Several mix projects in varying genres will be required of all students. Students will create projects using Pro Tools.									
MUS 147 - 1.0 UNIT BASIC APPLIED MUSIC Transferable to UC, CSU Corequisite: Enrollment in a music performance course related to the student's private study: MUS 200E, or 201E, or 202E, or 203E, or 204E, or 205E, or 206E, or 207E, or 208E, or 209E, or 210E, or 211E, or 213E, or 216E, or 217E, or 218E, or 219E.									
20376	11:00-11:50AM	W	Lopez,C	BC 51					
	+ 6.0 HRS ARR		Lopez,C	BC 51					
ALL APPLIED MUSIC COURSES: MUS 147, 148, 149, 150, and 151 represent five different levels of ability. Students study with a private teacher on the staff, perform recitals and attend class performances. Auditions for placement in the Applied Music Program are on Wednesday, August 7. Please call the Music Office at (562) 860-2451, extension 2629 to schedule an audition time. Further questions about the Applied Music Program, contact Dr. Christine Lopez, Coordinator of the Applied Music Program at clopez@cerritos.edu or (562) 860-2451, extension 2632.									
MUS 148 - 1.0 UNIT PRIVATE STUDY/TECHNIQUE Transferable to UC, CSU Prerequisite: Audition Required or MUS 147 with a grade of "C" or higher. Corequisite: Enrollment in a music ensemble: MUS 200E - MUS 208E, MUS 210E - MUS 213E, MUS 217E, or MUS 219E AND Enrollment in music theory: MUS 180, MUS 181, MUS 280, or MUS 281.									
20377	11:00-11:50AM	W	Lopez,C	BC 51					
	+ 6.0 HRS ARR		Lopez,C	BC 51					
MUS 149 - 1.0 UNIT PRIVATE STUDY/MUSICAL PREPARATION Transferable to UC, CSU Prerequisite: Audition Required or MUS 148 with a grade of "C" or higher. Corequisite: Enrollment in a music ensemble: MUS 200E - MUS 208E, MUS 210E - MUS 213E, MUS 217E, or MUS 219E AND Enrollment in music theory: MUS 180, MUS 181, MUS 280, or MUS 281.									
20378	11:00-11:50AM	W	Lopez,C	BC 51					
	+ 6.0 HRS ARR		Lopez,C	BC 51					
MUS 150 - 1.0 UNIT PRIVATE STUDY/PERFORMANCE PRACTICE Transferable to UC, CSU Prerequisite: Audition Required or MUS 149 with a grade of "C" or higher. Corequisite: Enrollment in a music ensemble: MUS 200E - MUS 208E, MUS 210E - MUS 213E, MUS 217E, or MUS 219E AND Enrollment in music theory: MUS 180, MUS 181, MUS 280, or MUS 281.									
20379	11:00-11:50AM	W	Lopez,C	BC 51					
	+ 6.0 HRS ARR		Lopez,C	BC 51					
MUS 151 - 1.0 UNIT PRIVATE STUDY/RECITAL PREPARATION Transferable to UC, CSU Prerequisite: Audition Required or MUS 150 with a grade of "C" or higher. Corequisite: Enrollment in a music ensemble: MUS 200E - MUS 208E, MUS 210E - MUS 213E, MUS 217E, or MUS 219E AND Enrollment in music theory: MUS 180, MUS 181, MUS 280, or MUS 281.									
22035	11:00-11:50AM	W	Lopez,C	BC 51					
	+ 6.0 HRS ARR		Lopez,C	BC 51					
MUS 153 - 2.0 UNITS THE ART OF TEACHING INTERMEDIATE PIANO Transferable to CSU Prerequisite: MUS 152 or equivalent with a grade of Pass or "C" or higher.									
26428	12:30- 1:50PM	MW	Lopez,C	FA140					
MUS 156 - 2.5 UNITS CONTEMPORARY MUSIC NOTATION Transferable to CSU Prerequisite: Completion of MUS 105 or equivalent with a grade of "C" or higher or "Pass". Recommendation: Completion of ENGL 52 or ENGL 72 or ESL 152 or equivalent with a grade of "C" or higher or "Pass" or completion of the English Placement Process with a score eligible for ENGL 100.									
26422	12:00- 2:00PM	W	Maz,A	BC61A	(HYBRID)				
	+ 2.0 HRS ARR		Maz,A	BC61A	(HYBRID)				
Note: This is a HYBRID course – a portion of the class hours are taught online. Mandatory in-person orientation: 12:00 – 2:00 p.m., in BC-61, on Wednesday, August 15. Please check Canvas for more information (instructor e-mail address: amaz@cerritos.edu); This course trains students in the craft and technique of music notation. Students will learn to create professional-quality vocal scores, lead sheets, piano reductions, arrangements, tablatures, and worksheets. Students will learn practical techniques and workflows to produce manuscripts with computer notation software. Students will create projects using Sibelius.									

Students not in attendance or late for the first class are subject to drop.

Class#	Time	Day	Instructor	Room	Class#	Time	Day	Instructor	Room
MUS 180 - 4.0 UNITS MUSIC THEORY/MUSICIANSHIP I Transferable to UC, CSU Prerequisite: MUS 105 or equivalent with a grade of "Pass" or "C" or higher.									
24385	2:00- 4:00PM	MW	Lopez,C	BC 53					
	4:00- 4:30PM	MW	Lopez,C	BC 53					
MUS 200E - 1.0 UNIT BEGINNING BAND Transferable to CSU									
24361	7:00- 9:00PM	T	Betancourt,D	BC 53					
	9:00-10:50PM	T	Betancourt,D	BC 53					
MUS 203E - 1.0 UNIT COMMUNITY BAND Transferable to CSU									
24363	7:00- 9:00PM	T	Betancourt,D	BC 53					
	9:00- 9:50PM	T	Betancourt,D	BC 53					
Instrumental Ensemble Auditions for MUS 202E, 203E, 204E, 205E, 206E, 207E, and 208E are on Saturday, August 12 from 9:00 a.m. to 12:00 p.m., in room BC-53. Contact Dr. Betancourt for further information at (562) 860-2451, extension, 2631.									
MUS 204E - 1.0 UNIT ORCHESTRA Transferable to CSU									
24957	6:00- 8:00PM	M	Hallback,A	BC 53					
	8:00- 9:50PM	M	Hallback,A	BC 53					
MUS 205E - 1.0 UNIT COMMUNITY ORCHESTRA Transferable to UC, CSU									
24959	6:00- 8:00PM	M	Hallback,A	BC 53					
	8:00- 9:50PM	M	Hallback,A	BC 53					
MUS 206E - 1.0 UNIT STAGE BAND Transferable to CSU									
24961	7:00- 9:00PM	W	Betancourt,D	BC 53					
	9:00-10:50PM	W	Betancourt,D	BC 53					
MUS 207E - 1.0 UNIT JAZZ ENSEMBLE Transferable to CSU									
24963	7:00- 9:00PM	W	Betancourt,D	BC 53					
	9:00-10:50PM	W	Betancourt,D	BC 53					
MUS 209E - 1.0 UNIT PEP BAND Transferable to CSU Recommendation: Music background preferred.									
24965	7:00- 9:00PM	Th	Betancourt,D	BC 53					
	9:00-10:50PM	Th	Betancourt,D	BC 53					
MUS 210E - 1.0 UNIT STRING ENSEMBLE Transferable to CSU									
24967	12:30- 1:00PM	TTh	Lopez,C	BC 68					
	1:00- 1:50PM	TTh	Lopez,C	BC 68					
MUS 216E - 1.0 UNIT PIANO ENSEMBLE Transferable to CSU Prerequisite: MUS 112 or equivalent with a grade of "C" or higher or "Pass."									
25036	12:30- 1:00PM	TTh	Lopez,C	BC 68					
	1:00- 1:50PM	TTh	Lopez,C	BC 68					
MUS 218E - 1.0 UNIT COMMUNITY CHORUS Transferable to CSU									
24969	6:30- 7:50PM	T	DeMichele,A	BC 51					
	7:50-10:20PM	T	DeMichele,A	BC 51					
24971	12:30- 1:30PM	TTh	DeMichele,A	BC 51					
	1:30- 2:20PM	TTh	DeMichele,A	BC 51					
MUS 219E - 1.0 UNIT COLLEGIATE CHORALE Transferable to CSU									
24973	6:30- 8:30PM	T	DeMichele,A	BC 51					
	8:30-10:20PM	T	DeMichele,A	BC 51					
24975	12:30- 1:30PM	TTh	DeMichele,A	BC 51					
	1:30- 2:20PM	TTh	DeMichele,A	BC 51					
MUS 280 - 4.0 UNITS MUSIC THEORY/MUSICIANSHIP III Transferable to UC, CSU Prerequisite: MUS 107 or MUS 181 or equivalent with a grade of "Pass" or "C" or higher.									
25547	8:00-10:00AM	MW	STAFF	BC 53					
	10:00-10:30AM	MW	STAFF	BC 53					

NEW PRODUCT DEVELOPMENT

NPD 103 - 3.0 UNITS TOOLING AND MATERIALS FOR NEW PRODUCT DEVELOPMENT

Transferable to CSU

27943 3.0 HRS ARR (OL) Micic,M ONLINE

NURSING

Applications for Fall 2020 and Spring 2021 admission into the NURSING PROGRAM will be accepted January 6, 2020 thru the close of business on March 16, 2020. For additional information call (562) 860-2451, Ext. 2550. Clearance of a criminal background check and drug testing are required prior to clinical field experience.

NRSNG 25 - 0.5 UNIT CLINICAL WORKSHOP 1

Not Transferable

NOTE: a material fee of \$27.50 is required for NRSNG 25

29073 4:00- 4:30PM W STAFF SL121

4:30- 7:45PM W STAFF SL121

Class# 29073 meets 10/23/2019-12/18/2019

NRSNG 26 - 0.5 UNIT CLINICAL WORKSHOP 2

Not Transferable

NOTE: a material fee of \$55.00 is required for NRSNG 26

20859 4:00- 4:30PM W STAFF SL121

4:30- 7:45PM W STAFF SL121

Class# 20859 meets 10/23/2019-12/18/2019

NRSNG 48T - 0.5 UNIT ELECTIVE NURSING - TUTORIAL

Not Transferable

29075 4:00- 7:50PM W STAFF SL121

Class# 29075 meets 08/21/2019-10/16/2019

NRSNG 57LA - 1.0 UNIT BEGINNING NURSING SKILLS LAB

Not Transferable

Corequisite: NRSNG 210 or NRSNG 212

23691 9:00- 9:50AM M STAFF HS102

9:00-10:50AM F STAFF SL121

NRSNG 57LB - 1.0 UNIT INTERMEDIATE NURSING SKILLS LAB

Not Transferable

Corequisite: NRSNG 220 or NRSNG 222

23692 10:00-10:50AM M STAFF HS102

11:00-12:50PM F STAFF SL121

NRSNG 57LC - 1.0 UNIT ADVANCED INTERMEDIATE NURSING SKILLS LAB

Not Transferable

Corequisite: NRSNG 230 or NRSNG 232

23693 9:00- 9:50AM Th STAFF HS102

4:00- 5:50PM Th STAFF SL121

NRSNG 57LD - 1.0 UNIT ADVANCED NURSING SKILLS LAB

Not Transferable

Corequisite: NRSNG 240 or NRSNG 242

23694 10:00-10:50AM Th STAFF HS102

6:00- 7:50PM Th STAFF SL121

NRSNG 210 - 5.0 UNITS FUNDAMENTALS OF NURSING

Transferable to CSU

Corequisite: NRSNG 211

NOTE: a material fee of \$38.25 is required for NRSNG 210

20860 12:30- 3:20PM MTh STAFF SL109

Class# 20860 meets 08/19/2019-10/17/2019

PLEASE ENROLL IN LAB SECTION AS ASSIGNED. THE LECTURE SECTION #20860 WILL BE AUTOMATICALLY ADDED.

20861 7:00-12:50PM TW STAFF LAB A ACH *

Class# 20861 meets 08/19/2019-10/17/2019

20862 7:00-12:50PM TW STAFF LAB B AGMC*

Class# 20862 meets 08/19/2019-10/17/2019

20863 7:00-12:50PM TW STAFF LAB C VECH*

Class# 20863 meets 08/19/2019-10/17/2019

27689 7:00-12:50PM TW STAFF LAB D NCH *

Class# 27689 meets 08/19/2019-10/17/2019

20865 7:00-12:50PM TW STAFF LAB E CPH *

Class# 20865 meets 08/19/2019-10/17/2019

Students not in attendance or late for the first class are subject to drop.

Class#	Time	Day	Instructor	Room	Class#	Time	Day	Instructor	Room
NRSJ 211 - 1.0 UNIT INTRODUCTION TO THEORETICAL FRAMEWORK Transferable to CSU Prerequisite: NRSJ 210 or equivalent with a grade of Pass or "C" or higher. For Option B students: Possession of an active Licensed Psychiatric Technician license and admission to the Nursing Program Corequisite: NRSJ 211 may be taken prior to admission or concurrent Recommendation: NRSJ 200 or NRSJ 213A or equivalent with a grade of Pass or "C" or higher. NOTE: a material fee of \$26.00 is required for NRSJ 212					22358	3:00-10:15PM	TW	STAFF	LAB B LAH *
20910	9:00-10:50AM	Th	STAFF	SL109	22146	7:00- 2:15PM	TW	STAFF	LAB C PIHD*
Class# 20910 meets 08/22/2019-10/17/2019					24203	7:00- 4:20PM	SatSun	STAFF	LAB D ARMC*
NRSJ 212 - 5.0 UNITS MEDICAL-SURGICAL NURSING I Transferable to CSU Prerequisite: NRSJ 210 or equivalent with a grade of Pass or "C" or higher. For Option B students: Possession of an active Licensed Psychiatric Technician license and admission to the Nursing Program Corequisite: NRSJ 211 may be taken prior to admission or concurrent Recommendation: NRSJ 200 or NRSJ 213A or equivalent with a grade of Pass or "C" or higher. NOTE: a material fee of \$26.00 is required for NRSJ 212					21641	3:00-10:15PM	TW	STAFF	LAB E KDMC*
20911	12:30- 2:50PM	MTh	STAFF	SL109	NRSJ 230 - 5.0 UNITS PSYCHOSOCIAL AND COMMUNITY NURSING Transferable to CSU Prerequisite: NRSJ 222 or equivalent with a grade of Pass or "C" or higher. For Option C, D, E and F students: Admission to the Nursing Program.				
Class# 20911 meets 10/21/2019-12/19/2019 PLEASE ENROLL IN LAB SECTION AS ASSIGNED. THE LECTURE SECTION #20911 WILL BE AUTOMATICALLY ADDED.					20872	12:30- 3:20PM	WTh	STAFF	HS305
20912	7:00- 2:15PM	TW	STAFF	LAB A PIHD*	Class# 20872 meets 10/21/2019-12/19/2019 PLEASE ENROLL IN LAB SECTION AS ASSIGNED. THE LECTURE SECTION #20872 WILL BE AUTOMATICALLY ADDED.				
20913	7:00- 2:15PM	TW	STAFF	LAB B LRMC*	20873	7:00- 6:50PM	T	STAFF	LAB A LCMC*
20914	7:00- 2:15PM	TW	STAFF	LAB C AGMC*	20874	7:00- 1:10PM	MT	STAFF	LAB B CH *
20915	7:00- 2:15PM	TW	STAFF	LAB D PIHD*	20875	7:00- 1:10PM	MT	STAFF	LAB C TBD *
21639	7:00- 2:15PM	TW	STAFF	LAB E KDMC*	20876	3:30- 9:40PM	MT	STAFF	LAB D CH *
Class# 21639 meets 10/21/2019-12/19/2019					20877	7:00- 6:50PM	M	STAFF	LAB E LCMC* TBD *
NRSJ 213A - 0.5 UNIT MAJOR DRUGS AND NURSING MANAGEMENT I Transferable to CSU Prerequisite: NRSJ 213A or equivalent with a grade of Pass or "C" or higher. NOTE: a material fee of \$46.00 is required for NRSJ 232					Class# 20877 meets 08/19/2019-10/17/2019				
20866	9:00-10:15AM	Th	STAFF	SL109	NRSJ 232 - 5.0 UNITS MEDICAL-SURGICAL NURSING 4 Transferable to CSU Prerequisite: NRSJ 230 or equivalent with a grade of Pass or "C" or higher. For Option C, D, and E students: Admission to the Nursing Program.				
Class# 20866 meets 11/14/2019-12/19/2019					20918	12:30- 2:50PM	WTh	STAFF	HS305
NRSJ 213B - 1.0 UNIT MAJOR DRUGS AND NURSING MANAGEMENT II Transferable to CSU Prerequisite: NRSJ 213A or equivalent with a grade of Pass or "C" or higher. NOTE: a material fee of \$46.00 is required for NRSJ 232					Class# 20918 meets 10/21/2019-12/19/2019 PLEASE ENROLL IN LAB SECTION AS ASSIGNED. THE LECTURE SECTION #20918 WILL BE AUTOMATICALLY ADDED.				
21404	4:00- 5:50PM	Th	STAFF	SL108	20919	7:00- 6:50PM	M	STAFF	LAB A KDMC* TBD *
Class# 21404 meets 08/22/2019-10/17/2019					Class# 20919 meets 10/21/2019-12/19/2019 +4.83 HRS ARR				
NRSJ 215 - 1.0 UNIT ADVANCED PLACEMENT BRIDGE Transferable to CSU Recommendation: Completion of READ 54, ENGL 52, and MATH 60 or equivalent with grades of Pass or "C" or higher or successful completion of the college placement process.					20920	6:00- 1:35PM	MT	STAFF	LAB B ARMC*
22196	4:00- 6:05PM	Th	STAFF	SL108	Class# 20920 meets 10/21/2019-12/20/2019				
Class# 22196 meets 10/24/2019-12/19/2019					20921	7:00- 6:50PM	T	STAFF	LAB C RLA * TBD *
NRSJ 220 - 5.5 UNITS MEDICAL-SURGICAL NURSING 3 Transferable to CSU Prerequisite: NRSJ 211, NRSJ 212 and NRSJ 213A or equivalent with a grade of "C" or higher or "Pass." For Option B and E students. NOTE: a material fee of \$39.00 is required for NRSJ 220					Class# 20921 meets 10/21/2019-12/20/2019 +3.0 HRS ARR				
20867	12:30- 3:20PM	MTh	STAFF	SL108	20922	7:00- 6:50PM	T	STAFF	LAB D LAH * TBD *
Class# 20867 meets 08/19/2019-10/17/2019 PLEASE ENROLL IN LAB SECTION AS ASSIGNED. THE LECTURE SECTION #20867 WILL BE AUTOMATICALLY ADDED.					Class# 20922 meets 10/21/2019-12/20/2019 +3.0 HRS ARR				
29076	3:00-10:15PM	TW	STAFF	LAB A PIHD*	20923	3:00-10:35PM	MT	STAFF	LAB E ARMC*
20869	7:00- 2:15PM	TW	STAFF	LAB B KDMC*	Class# 20923 meets 10/21/2019-12/20/2019				
20870	7:00- 2:15PM	TW	STAFF	LAB C PIHD*	NRSJ 240 - 5.0 UNITS MEDICAL-SURGICAL NURSING 5 Transferable to CSU Prerequisite: NRSJ 232 or equivalent with a grade of Pass or "C" or higher. For Option E and F students: Admission to the Nursing Program.				
24202	7:00- 2:15PM	TW	STAFF	LAB D LRMC*	NOTE: a material fee of \$31.00 is required for NRSJ 240				
25520	3:00-10:15PM	TW	STAFF	LAB E KDMC*	20878	12:30- 2:45PM	WTh	STAFF	HS102
Class# 25520 meets 08/19/2019-10/17/2019					Class# 20878 meets 08/19/2019-10/17/2019 PLEASE ENROLL IN LAB SECTION AS ASSIGNED. THE LECTURE SECTION #20878 WILL BE AUTOMATICALLY ADDED.				
NRSJ 222 - 5.5 UNITS MATERNAL/CHILD NURSING Transferable to CSU Prerequisite: NRSJ 220 or equivalent with a grade of Pass or "C" or higher.					20879	7:00- 6:50PM	M	STAFF	LAB A PIHW* TBD *
20916	12:30- 3:40PM	MTh	STAFF	SL108	Class# 20879 meets 08/19/2019-10/17/2019 +4.33 HRS ARR				
Class# 20916 meets 08/19/2019-10/17/2019 PLEASE ENROLL IN LAB SECTION AS ASSIGNED. THE LECTURE SECTION #20916 WILL BE AUTOMATICALLY ADDED.					20880	6:00- 5:50PM	T	STAFF	LAB B ARMC* TBD *
20917	7:00- 2:15PM	TW	STAFF	LAB A PIHD*	Class# 20880 meets 08/19/2019-10/17/2019 +3.0 HRS ARR				
Class# 20917 meets 10/21/2019-12/19/2019					25521	7:00- 2:35PM	MT	STAFF	LAB C PIHD*
NRSJ 242 - 3.0 UNITS PROFESSIONAL ROLE TRANSITION Transferable to CSU Prerequisite: NRSJ 240 or equivalent with a grade of Pass or "C" or higher.					20881	2:00- 9:35PM	MT	STAFF	LAB D LRMC*
NOTE: a material fee of \$31.00 is required for NRSJ 240					22122	3:00-10:35PM	MT	STAFF	LAB E LAH *
Class# 20917 meets 10/21/2019-12/19/2019					Class# 22122 meets 08/19/2019-10/17/2019				
NRSJ 242 - 3.0 UNITS PROFESSIONAL ROLE TRANSITION Transferable to CSU Prerequisite: NRSJ 240 or equivalent with a grade of Pass or "C" or higher.					27155	12:30- 1:45PM	W	STAFF	HS102
NOTE: a material fee of \$31.00 is required for NRSJ 240					Class# 27155 meets 10/21/2019-11/27/2019 PLEASE ENROLL IN LAB SECTION AS ASSIGNED. THE LECTURE SECTION #27155 WILL BE AUTOMATICALLY ADDED.				

Students not in attendance or late for the first class are subject to drop.

Class#	Time	Day	Instructor	Room	Class#	Time	Day	Instructor	Room
#27155 WILL BE AUTOMATICALLY ADDED.									
27156	23.0 HRS ARR		STAFF	LAB A	KDMC*				
Class# 27156 meets 10/21/2019-11/27/2019									
27157	23.0 HRS ARR		STAFF	LAB B	LRMC*				
Class# 27157 meets 10/21/2019-11/27/2019									
27158	23.0 HRS ARR		STAFF	LAB C	RLA *				
Class# 27158 meets 10/21/2019-11/27/2019									
27159	23.0 HRS ARR		STAFF	LAB D	LAH *				
Class# 27159 meets 10/21/2019-11/27/2019									
NRSRG 251 - 1.0 UNIT BASIC ADULT PHYSICAL ASSESSMENT									
Transferable to CSU									
NOTE: a material fee of \$5.00 is required for NRSRG 251									
21405	4:00- 5:00PM	M	STAFF		SL105				
	5:00- 8:05PM	M	STAFF		SL105				
Class# 21405 meets 08/19/2019-10/14/2019									

PHARMACY TECHNICIAN

Students who wish to complete the program at an accelerated pace must make an appointment with the program director.

PHAR 50 - 1.5 UNITS PHARMACEUTICS									
Not Transferable									
Prerequisite: HO 56 or equivalent with a grade of Pass or "C" or higher.									
20952	8:00-10:50AM	W	Makarem,N		SL107				
Class# 20952 meets 10/23/2019-12/18/2019									
PHAR 55 - 1.5 UNITS PHARMACY INTRODUCTION									
Not Transferable									
Corequisite: PHAR 56									
23662	8:00-10:50AM	T	Makarem,N		SL101				
Class# 23662 meets 08/20/2019-10/15/2019									
PHAR 56 - 0.5 UNIT PHARMACY SKILLS LAB INTRODUCTION									
Not Transferable									
Corequisite: PHAR 55									
NOTE: a material fee of \$10.00 is required for PHAR 56									
23665	11:00-12:00PM	T	Shields,J		SL101				
	12:00- 1:50PM	T	Shields,J		SL101				
Class# 23665 meets 08/20/2019-10/15/2019									
PHAR 57 - 1.5 UNITS PHARMACY OPERATIONS I									
Not Transferable									
Prerequisite: PHAR 55 or equivalent with a grade of Pass or "C" or higher or concurrent enrollment.									
23669	8:00-10:50AM	W	Makarem,N		SL107				
Class# 23669 meets 08/21/2019-10/16/2019									
PHAR 63 - 2.0 UNITS PHARMACY OPERATIONS II									
Not Transferable									
Prerequisite: PHAR 55, PHAR 56, and PHAR 57 or equivalent with grades of Pass or "C" or higher.									
NOTE: a material fee of \$14.00 is required for PHAR 63									
20772	8:00-12:00PM	T	Shields,J		SL101				
	12:00- 1:50PM	T	Shields,J		SL101				
Class# 20772 meets 10/22/2019-12/17/2019									
PHAR 64 - 2.0 UNITS PHARMACY OPERATIONS III									
Not Transferable									
Prerequisite: PHAR 50, PHAR 55, PHAR 56, PHAR 57, and PHAR 63 or equivalents with grades of Pass or "C" or higher. PHAR 63 may be taken concurrently with PHAR 64; however PHAR 64 cannot be taken prior to PHAR 63.									
NOTE: a material fee of \$40.00 is required for PHAR 64									
23557	8:00-10:00AM	F	Shields,J		SL101				
	10:00-10:50AM	F	Shields,J		SL101				
PHAR 65 - 2.0 UNITS PHARMACY OPERATIONS IV - NON-STERILE COMPOUNDING									
Not Transferable									
Prerequisite: PHAR 50 and PHAR 63 or equivalent with grades of Pass or "C" or higher.									
NOTE: a material fee of \$34.50 is required for PHAR 65									
22144	9:30-11:30AM	W	Casas,R		SL101				
	11:30-12:20PM	W	Casas,R		SL101				

PHAR 81 - 3.0 UNITS OVER-THE-COUNTER PRODUCTS									
Not Transferable									
Recommendation: MA 161 or A&P 120 or equivalent with a grade of Pass or "C" or higher.									
20773	8:00-10:50AM	Th	Casas,R		SL108				
PHAR 83 - 3.0 UNITS PHARMACY TECHNICIAN PHARMACOLOGY I									
Not Transferable									
Prerequisite: MA 161 or A&P 120 or equivalent with a grade of Pass or "C" or higher.									
20467	8:00-10:50AM	T	Casas,R		SL107				
PHAR 85 - 3.0 UNITS PHARMACY TECHNICIAN PHARMACOLOGY II									
Not Transferable									
Prerequisite: MA 161 or A&P 120 or equivalent with a grade of Pass or "C" or higher.									
20774	8:00-10:50AM	M	Makarem,N		SL101				
PHAR 90 - 3.0 UNITS CLINICAL EXPERIENCE I									
Not Transferable									
Prerequisite: PHAR 50, PHAR 63, PHAR 65, and PHAR 81 or equivalents with grades of "C" or higher or "Pass".									
20468	9:00- 9:50AM	Th	Makarem,N		SL101				
	+ 6.7 HRS ARR		Makarem,N		TBD *				
PHAR 95 - 5.0 UNITS CLINICAL EXPERIENCE II									
Not Transferable									
Prerequisite: PHAR 64, PHAR 83, and PHAR 85 or equivalent with grades of Pass or "C" or higher.									
20469	8:00- 8:50AM	Th	Makarem,N		SL101				
	+11.1 HRS ARR		Makarem,N		TBD *				

PHILOSOPHY

PHIL 100 - 3.0 UNITS INTRODUCTION TO PHILOSOPHY									
Transferable to UC, CSU (CAN PHIL 2)									
Prerequisite: Completion of ENGL 52, or ENGL 72 or ESL 152 or equivalent with a grade of "C" or higher, or "Pass," or completion of the English Placement Process with eligibility for ENGL 100.									
22579	2:00- 3:15PM	TTh	Stolze,T		SS307				
20470	12:30- 1:45PM	MW	Mittendorf,R		SS136				
23785	9:00-11:50AM	F	Pereira,J		SS137				
24058	12:30-1:45PM	MW	Stolze,T		SS307				
20472	7:00- 9:50PM	T	Deering,M		SS136				
27746	7:00- 9:50PM	Th	Deering,M		SS136				
20775	7:00- 9:50PM	M	Spooner,G		SS136				
20776	9:30-10:45AM	TTh	Mittendorf,R		SS307				
29275	8:00- 9:15AM	TTh	Sliff,R		SS137				
PHIL 102 - 3.0 UNITS INTRODUCTION TO ETHICS									
Transferable to UC, CSU (CAN PHIL 4)									
Prerequisite: Completion of ENGL 52, or ENGL 72 or ESL 152 or equivalent with a grade of "C" or higher, or "Pass," or completion of the English Placement Process with eligibility for ENGL 100.									
21603	12:30- 1:45PM	TTh	Van De Mortel,J		SS136				
21421	7:00- 9:50PM	W	Cho,Y		SS136				
28033	3.0 HRS ARR	(OL)	Sutherland,C		ONLINE				
Note: For class information and orientation go to Canvas.									
28034	3.0 HRS ARR	(OL)	Sutherland,C		ONLINE				
Note: For class information and orientation go to Canvas.									
PHIL 103 - 3.0 UNITS PHILOSOPHICAL REASONING: CRITICAL THINKING IN PHILOSOPHY									
Transferable to UC, CSU									
Prerequisite: ENGL 100 or equivalent with a grade of Pass or "C" or higher or satisfactory completion of the Advanced Placement English Examination of the College Entrance Examination Board.									
21783	12:30- 1:45PM	TTh	Mittendorf,R		LC 22				
21782	9:30-10:45AM	MW	Chatman,T		BE105				
21784	7:00- 9:50PM	T	Spooner,G		SS137				
26554	11:00-12:15PM	MW	Chatman,T		BE105				
28375	11:00-12:15PM	MW	Mittendorf,R		LC 22				
29126	9:30-10:45AM	TTh	Stolze,T		BE105				
29450	9:00-11:50AM	F	Swearengin,R		BE105				

Students not in attendance or late for the first class are subject to drop.

Class#	Time	Day	Instructor	Room	Class#	Time	Day	Instructor	Room
PHIL 104 - 3.0 UNITS PHILOSOPHY OF CULTURAL DIVERSITY: CHALLENGE AND CHANGE Transferable to UC, CSU Prerequisite: Completion of ENGL 52, ENGL 72, ESL 152 or equivalent with a grade of Pass or "C" or higher, or completion of the English Placement Process with eligibility for ENGL 100.					24040 6:30- 7:30PM TTh Crone,C 7:30- 9:20PM TTh Crone,C FA239 FA239				
21422	11:00-12:15PM	MW	Stolze,T	SS307	PHOT 112 - 3.0 UNITS INTERMEDIATE DIGITAL PHOTOGRAPHY Transferable to CSU Prerequisite: PHOT 110 or ART 192 or equivalent with a grade of Pass or "C" or higher. NOTE: a material fee of \$10.00 is required for PHOT 112				
20474	3:0 HRS ARR	(OL)	Mayock,M	ONLINE	26850	8:00- 9:00AM	TTh	Fernandez,C	FA234
26382	8:00- 9:15AM	MW	Mittendorf,R	SS136		9:00-10:50AM	TTh	Fernandez,C	FA234
PHIL 106 - 3.0 UNITS INTRODUCTION TO LOGIC Transferable to UC, CSU (CAN PHIL 6) Prerequisite: ENGL 100 or equivalent with a grade of Pass or "C" or higher.					PHOT 150 - 3.0 UNITS PHOTOGRAPHY AND SOCIETY Transferable to UC, CSU 29081 12:30- 3:20PM W Goldsmith,M SL108				
20778	11:00-12:15PM	MW	Van De Mortel,J	SS136	PHOT 160 - 3.0 UNITS HISTORY OF PHOTOGRAPHY Transferable to UC, CSU 25550 4:30- 5:45PM TTh Schwenkmeyer,K FA133				
PHIL 130 - 3.0 UNITS HISTORY OF ANCIENT PHILOSOPHY Transferable to UC, CSU Prerequisite: Completion of ENGL 52, or ENGL 72, or ESL 152, or equivalent with a grade of "C" or higher or "Pass" or completion of the placement process with eligibility for ENGL 100.					PHOT 250 - 3.0 UNITS CONTEMPORARY PHOTOGRAPHIC EXPRESSION Transferable to UC, CSU Prerequisite: PHOT 100 or equivalent with a grade of Credit or "C" or higher. NOTE: a material fee of \$20.00 is required for PHOT 250				
27009	9:30-10:45AM	TTh	Van De Mortel,J	SS136	29082	3:00- 4:00PM	MW	Heckerman,E	FA221
PHIL 160 - 3.0 UNITS SYMBOLIC LOGIC Transferable to UC, CSU Prerequisite: ENGL 100 or equivalent with a grade of "C" or higher or "Pass." Recommendation: PHIL 106 with a grade of "C" or higher or "Pass."					4:00- 5:50PM MW Heckerman,E FA221				
29451	11:00-12:15PM	MW	Swearingin,R	SS308	PHOT 298 - 1.0 UNIT DIRECTED STUDIES Transferable to CSU NOTE: a material fee of \$20.00 is required for PHOT 298				
PHIL 200 - 3.0 UNITS WORLD RELIGIONS Transferable to UC, CSU Recommendation: Satisfactory completion of the English Placement Process or ENGL 52 or ENGL 155 or equivalent with a grade of Pass or "C" or higher is strongly recommended.					28609 3.0 HRS ARR Heckerman,E FA217				
20779	9:30-10:45AM	MW	Van De Mortel,J	SS136	PHYSICAL EDUCATION				
PHIL 203 - 3.0 UNITS PHILOSOPHY OF RELIGION Transferable to UC, CSU Prerequisite: Completion of ENGL 52, or ENGL 72, or ESL 152 or equivalent with a grade of "C" or higher or "Pass", or completion of the English Placement Process with eligibility for ENGL 100.					PEX 100 - 1.0 UNIT SEDENTARY ACTIVITIES FOR STUDENTS WITH DISABILITIES Transferable to UC, CSU Recommendation: Completed adapted physical education physician health clearance for participation, adapted physical education health history questionnaire, intake interview assessment procedures.				
22885	12:30- 1:45PM	MW	Van De Mortel,J	BE105	29300	12:00-12:15PM	MW	O'Connor,J	K 105

PHOTOGRAPHY

PHOT 100 - 3.0 UNITS INTRODUCTORY PHOTOGRAPHY Transferable to UC, CSU (CAN ART 18) NOTE: a material fee of \$20.00 is required for PHOT 100 Manually operable 35 mm camera or digital SLR required. Exceptions may be considered.				
20477	8:00- 9:00AM	MW	Fernandez,C	FA221
	9:00-10:50AM	MW	Fernandez,C	FA222
20478	9:30-10:30AM	TTh	Flanders,M	FA221
	10:30-12:20PM	TTh	Flanders,M	FA222
23422	3:30-4:30PM	TTh	Heckerman,E	FA221
	4:30- 6:20PM	TTh	Heckerman,E	FA222
20479	9:00-11:00AM	F	Emmett,K	FA221
	11:00- 2:50PM	F	Emmett,K	FA222
20780	6:30- 7:30PM	MW	Sanchez,A	FA221
	7:30- 9:20PM	MW	Sanchez,A	FA222
20781	12:30- 1:30PM	TTh	Heckerman,E	FA221
	1:30- 3:20PM	TTh	Heckerman,E	FA222
24012	6:30- 7:30PM	TTh	Schwenkmeyer,K	FA221
	7:30- 9:20PM	TTh	Schwenkmeyer,K	FA222
21383	11:00-12:00PM	MW	Fernandez,C	FA221
	12:00- 1:50PM	MW	Fernandez,C	FA222
24402	9:00-11:15AM	Sat	Chartier,R	FA221
	11:15- 3:45PM	Sat	Chartier,R	FA222
Class# 24402 meets 08/24/2019-12/14/2019				
PHOT 110 - 3.0 UNITS INTRODUCTION TO DIGITAL PHOTOGRAPHY Transferable to CSU NOTE: a material fee of \$12.50 is required for PHOT 110				
20480	8:00- 9:00AM	TTh	Fernandez,C	FA234
	9:00-10:50AM	TTh	Fernandez,C	FA234
Manually operable digital camera required.				

PHYSICAL EDUCATION PEX 100A - 1.0 UNIT ADAPTED INDEPENDENT EXERCISE Transferable to UC, CSU 28183 9:30- 9:45AM MW STAFF K 105 9:45-10:20AM MW STAFF K 105 28185 12:00-12:15PM MW O'Connor,J K 105 12:15-12:50PM MW O'Connor,J K 105				
PEX 101 - 1.0 UNIT WHEELCHAIR ACTIVITIES Transferable to UC, CSU Recommendation: Completed adapted physical education physician health clearance for participation, adapted physical education health history questionnaire, intake interview assessment procedures.				
28512	10:00-10:15AM	TTh	O'Connor,J	GYM
	10:15-10:50AM	TTh	O'Connor,J	GYM
29304	10:00-10:15AM	MW	O'Connor,J	SL108
	10:15-10:50AM	MW	O'Connor,J	HS103

Students not in attendance or late for the first class are subject to drop.

Class#	Time	Day	Instructor	Room	Class#	Time	Day	Instructor	Room
PEX 102 - 1.0 UNIT ADAPTED CARDIOVASCULAR EXERCISES					PEX 112 - 1.5 UNITS STEP AEROBICS				
Transferable to UC, CSU					Transferable to UC, CSU				
Recommendation: Completed adapted physical education physician health clearance for participation, adapted physical education health history questionnaire, intake interview assessment procedures.					29318 5:30- 6:00PM TTh STAFF PE116				
27132	12:00-12:15PM	TTh	O'Connor,J	K 105	6:00- 6:45PM TTh STAFF PE116				
	12:15-12:50PM	TTh	O'Connor,J	K 105	PEX 116 - 1.0 UNIT WATER AEROBICS				
28000	12:00-12:15PM	MW	O'Connor,J	K 105	Transferable to UC, CSU				
	12:15-12:50PM	TTh	O'Connor,J	K 105	26254	11:00-11:30AM	TTh	STAFF	POOL
					11:30-12:50PM TTh STAFF POOL				
					Class# 26254 meets 08/20/2019-10/17/2019				
PEX 103 - 1.0 UNIT ADAPTED STRENGTH TRAINING					PEX 119 - 1.0 UNIT BASIC TRAINING AND PHYSICAL CONDITIONING				
Transferable to CSU					Transferable to UC, CSU				
Recommendation: Completed adapted physical education physician health clearance for participation, adapted physical education health history questionnaire, intake interview assessment procedures.					25561 2:00- 2:15PM MW Caines,T K 108				
24724	1:00- 1:30PM	MW	O'Connor,J	K 105	2:15- 2:50PM MW Caines,T K 108				
	1:30- 2:50PM	MW	O'Connor,J	K 105	25563 2:00- 2:15PM MW Grosfeld,S CB102				
					2:15- 2:50PM MW Grosfeld,S CB101				
					29320 3:30- 3:45PM MW Kozlowski,T K 129				
					3:45- 4:20PM MW Kozlowski,T K 129				
PEX 103A - 1.0 UNIT ADAPTED CIRCUIT WEIGHT TRAINING					PEX 124 - 1.0 UNIT PERSONAL FITNESS PROGRAM				
Transferable to UC, CSU					Transferable to UC, CSU				
28201	1:00- 1:30PM	MW	O'Connor,J	K 105	24758 11:00-11:15AM MW Edwards,C K 129				
	1:30- 2:50PM	MW	O'Connor,J	K 105	11:15-11:50AM MW Edwards,C K 129				
29306	9:30- 9:45AM	MW	STAFF	K 105	26256 8:30- 8:45AM TTh O'Connor,J K 129				
	9:45-10:20AM	MW	STAFF	K 105	8:45- 9:20AM TTh O'Connor,J K 129				
29308	12:00-12:15PM	TTh	O'Connor,J	K 105	24762 2:00- 2:15PM MW Kozlowski,T K 129				
	12:15-12:50PM	TTh	O'Connor,J	K 105	2:15- 2:50PM MW Kozlowski,T K 129				
					24764 9:30- 9:45AM TTh STAFF K 129				
					9:45-10:20AM TTh STAFF K 129				
					24772 6:30- 6:45PM TTh STAFF K 129				
					6:45- 7:20PM TTh STAFF K 129				
29310	12:00-12:15PM	TTh	O'Connor,J	K 105	29322 3:30- 3:45PM TTh Kozlowski,T K 129				
	12:15-12:50PM	TTh	O'Connor,J	K 105	3:45- 4:20PM TTh Kozlowski,T K 129				
24726	1:00- 1:15PM	MW	O'Connor,J	BC 47	29324 6:30- 6:45AM MW Jensen,D K 129				
	1:15- 1:50PM	MW	O'Connor,J	HS103	6:45- 7:20AM MW Jensen,D K 129				
Class# 24726 meets 10/22/2019-12/19/2019					29326 9:30- 9:45AM MW STAFF K 129				
					9:45-10:45AM MW STAFF K 129				
					26480 4:00- 4:30PM MW Velazquez-Ortega,M K 129				
					4:30- 5:50PM MW Velazquez-Ortega,M K 129				
					Class# 26480 meets 10/21/2019-12/18/2019				
PEX 104 - 1.0 UNIT ADAPTED STRETCHING AND RELAXATION					PEX 126 - 1.5 UNITS PHYSICAL FITNESS TRAINING				
Transferable to UC, CSU					Transferable to UC, CSU				
Recommendation: Completed adapted physical education physician health clearance for participation, adapted physical education health history questionnaire, intake interview assessment procedures.					27716 9:30- 9:45AM MW Jensen,D STADT				
29310	12:00-12:15PM	TTh	O'Connor,J	K 105	9:45-10:45AM MW Jensen,D STADT				
	12:15-12:50PM	TTh	O'Connor,J	K 105	24981 1:00- 1:15PM MWF Caines,T K 108				
24726	1:00- 1:15PM	MW	O'Connor,J	BC 47	1:15- 1:50PM MWF Caines,T K 108				
	1:15- 1:50PM	MW	O'Connor,J	HS103	24989 1:00- 1:15PM MWF Grosfeld,S K 108				
Class# 24726 meets 10/22/2019-12/19/2019					1:15- 1:50PM MWF Grosfeld,S K 108				
PEX 105 - 1.0 UNIT ADAPTED SWIMMING					PEX 130 - 1.0 UNIT WEIGHT MANAGEMENT				
Transferable to UC, CSU					Transferable to UC, CSU				
Recommendation: Completed adapted physical education physician health clearance for participation, adapted physical education health history questionnaire, intake interview assessment procedures.					25064 8:30- 8:45AM TTh O'Connor,J K 129				
25559	1:00- 1:30PM	TTh	O'Connor,J	POOL	8:45- 9:20AM TTh O'Connor,J K 129				
	1:30- 2:50PM	TTh	O'Connor,J	POOL	PEX 134 - 1.0 UNIT BODY SCULPTING				
Class# 25559 meets 08/20/2019-10/17/2019					Transferable to UC, CSU				
					26258 8:00- 8:30AM F STAFF GYM				
					8:30- 9:50AM F STAFF GYM				
					29328 8:30- 8:45AM TTh STAFF PE116				
					8:45- 9:20AM TTh STAFF PE116				
PEX 106 - 1.0 UNIT ADAPTED AQUATIC EXERCISE					PEX 136 - 1.0 UNIT STRETCHING AND RELAXATION				
Transferable to UC, CSU					Transferable to UC, CSU				
29312	2:00- 2:30PM	MW	O'Connor,J	POOL	25565 12:30-12:45PM MW Jensen,D GYM				
	2:30- 3:50PM	MW	O'Connor,J	POOL	12:45- 1:20PM MW Jensen,D GYM				
Class# 29312 meets 08/19/2019-10/16/2019					26260 11:00-11:15AM TTh STAFF PE116				
28205	1:00- 1:30PM	TTh	O'Connor,J	POOL	11:15-11:50AM TTh STAFF PE116				
	1:30- 2:50PM	TTh	O'Connor,J	POOL	PEX 138 - 1.0 UNIT WALKING FOR FITNESS				
Class# 28205 meets 08/20/2019-10/17/2019					Transferable to UC, CSU				
					25571 10:00-10:15AM TTh STAFF STADT				
					10:15-10:50AM TTh STAFF STADT				
PEX 107 - 1.0 UNIT ADAPTED TEAM SPORTS					PEX 139 - 1.0 UNIT WALKING/JOGGING FOR FITNESS				
Transferable to CSU					Transferable to CSU				
Recommendation: Completed adapted physical education physician health clearance for participation, adapted physical education health history questionnaire, intake interview assessment procedures.					27160 8:00- 8:15AM MW Jensen,D STADT				
27292	10:00-10:15AM	TTh	O'Connor,J	GYM	8:15- 8:50AM MW Jensen,D STADT				
	10:15-10:50AM	TTh	O'Connor,J	GYM					
PEX 108 - 1.0 UNIT ADAPTED INDIVIDUAL SPORTS									
Transferable to CSU									
Recommendation: Completed adapted physical education physician health clearance for participation, adapted physical education health history questionnaire, intake interview assessment procedures.									
27294	10:00-10:15AM	MW	O'Connor,J	CTS					
	10:15-10:50AM	MW	O'Connor,J	CTS					
PEX 110 - 1.5 UNITS AEROBIC ACTIVITIES									
Transferable to UC, CSU									
29314	8:00- 8:30AM	MW	STAFF	PE116					
	8:30- 9:15AM	MW	STAFF	PE116					
29316	2:00- 2:30PM	TTh	STAFF	PE116					
	2:30- 3:15PM	TTh	STAFF	PE116					

Students not in attendance or late for the first class are subject to drop.

Class#	Time	Day	Instructor	Room	Class#	Time	Day	Instructor	Room
PEX 140 - 1.0 UNIT JOGGING, BASICS					27722 7:30- 8:00PM T STAFF GYM				
Transferable to UC, CSU					8:00- 9:20PM T STAFF GYM				
24787	8:00- 8:15AM	MW	Jensen,D	STADT	28004	9:30- 9:45AM	TTh	STAFF	GYM
	8:15- 8:50AM	MW	Jensen,D	STADT		9:45-10:20AM	TTh	STAFF	GYM
PEX 141 - 1.0 UNIT JOGGING FOR FITNESS, BEGINNING					28211 11:00-11:15AM TTh STAFF GYM				
Transferable to UC, CSU					11:15-11:50AM TTh STAFF GYM				
24791	8:00- 8:15AM	MW	Jensen,D	STADT	29334	12:00-12:15PM	TTh	STAFF	GYM
	8:15- 8:50AM	MW	Jensen,D	STADT	29336	12:15-12:50PM	TTh	STAFF	GYM
PEX 145 - 1.0 UNIT CIRCUIT WEIGHT TRAINING, BEGINNING					29336 10:00-10:30AM F STAFF GYM				
Transferable to UC, CSU					10:30-11:50AM F STAFF GYM				
24797	11:00-11:15AM	MW	May,R	K 108	PEX 155 - 1.0 UNIT PIYO INTRODUCTION TO PILATES AND YOGA				
	11:15-11:50AM	MW	May,R	K 108	Transferable to UC, CSU				
24799	12:00-12:15PM	MW	Artiaga,B	K 108	27724	11:00-11:15AM	TTh	STAFF	GYM
	12:15-12:50PM	MW	Artiaga,B	K 108		11:15-11:50AM	TTh	STAFF	GYM
24801	4:00- 4:15PM	MW	STAFF	K 108	27726	4:00- 4:30PM	T	STAFF	GYM
	4:15- 4:50PM	MW	STAFF	K 108		4:30- 5:50PM	T	STAFF	GYM
26482	6:00- 6:15PM	MW	Gould,E	K 108	PEX 156 - 1.0 UNIT PILATES CONDITIONING				
	6:15- 6:50PM	MW	Gould,E	K 108	Transferable to UC, CSU				
24807	11:00-11:15AM	TTh	Zamora,H	K 108	24841	11:00-11:15AM	TTh	STAFF	GYM
	11:15-11:50AM	TTh	Zamora,H	K 108		11:15-11:50AM	TTh	STAFF	GYM
24809	9:00- 9:15AM	TTh	Richardson,C	K 108	24843	4:00- 4:30PM	T	STAFF	GYM
	9:15- 9:50AM	TTh	Richardson,C	K 108		4:30- 5:50PM	T	STAFF	GYM
24811	10:00-10:15AM	TTh	Richardson,C	K 108	PEX 161 - 1.0 UNIT BADMINTON, BEGINNING				
	10:15-10:50AM	TTh	Richardson,C	K 108	Transferable to UC, CSU				
26262	7:00- 7:15PM	MW	STAFF	K 108	24861	11:00-11:15AM	MW	Jensen,D	GYM
	7:15- 7:50PM	MW	STAFF	K 108		11:15-11:50AM	MW	Jensen,D	GYM
24819	5:00- 5:15PM	TTh	STAFF	K 108	PEX 162 - 1.5 UNITS BADMINTON FITNESS AND TECHNIQUE TRAINING				
	5:15- 5:50PM	TTh	STAFF	K 108	Transferable to UC, CSU				
24979	6:00- 6:15AM	MW	Gonzalez,R	K 108	28213	11:00-11:30AM	MW	Jensen,D	GYM
	6:15- 6:50AM	MW	Gonzalez,R	K 108		11:30-12:20PM	MW	Jensen,D	GYM
29330	1:00- 1:30PM	TTh	Abing,J	K 108	PEX 165 - 1.0 UNIT BASKETBALL, NOVICE				
	1:30- 1:50PM	TTh	Abing,J	K 108	Transferable to UC, CSU				
29332	12:00-12:15PM	TTh	STAFF	K 108	24863	9:00- 9:15AM	MW	May,R	GYM
	12:15-12:50PM	TTh	STAFF	K 108		9:15- 9:50AM	MW	May,R	GYM
PEX 147 - 1.0 UNIT PERSONAL SELF DEFENSE					24999 7:00- 7:15PM TTh May,R GYM				
Transferable to UC, CSU					7:15- 7:50PM TTh May,R GYM				
24821	12:00-12:30PM	F	STAFF	GYM	PEX 166 - 1.0 UNIT BASKETBALL, BEGINNING				
	12:30- 1:50PM	F	STAFF	GYM	Transferable to CSU				
25942	6:00- 6:30PM	M	STAFF	GYM	24865	9:00- 9:15AM	MW	May,R	GYM
	6:30- 7:50PM	M	STAFF	GYM		9:15- 9:50AM	MW	May,R	GYM
PEX 149 - 1.0 UNIT TAE KWON DO, BEGINNING					24867 7:00- 7:15PM TTh May,R GYM				
Transferable to UC, CSU					7:15- 7:50PM TTh May,R GYM				
24823	1:30- 1:45PM	MW	STAFF	GYM	PEX 167 - 1.0 UNIT BOWLING, BEGINNING				
	1:45- 2:20PM	MW	STAFF	GYM	Transferable to UC, CSU				
25938	11:00-11:15AM	TTh	STAFF	GYM	26484	11:00-11:30AM	F	Haley Peaslee,D	GYM
	11:15-11:50AM	TTh	STAFF	GYM		11:30-12:50PM	F	Haley Peaslee,D	GYM
PEX 151 - 1.0 UNIT YOGA					PEX 170 - 2.0 UNITS PEP UNIT				
Transferable to UC, CSU					Transferable to UC, CSU				
24825	8:00- 8:30AM	M	STAFF	GYM	28215	6.0 HRS ARR	Haley Peaslee,D		STAD
	8:30- 9:50AM	M	STAFF	GYM	PEX 176 - 1.0 UNIT GOLF, BEGINNING				
24827	11:00-11:15AM	MW	STAFF	GYM	Transferable to UC, CSU				
	11:15-11:50AM	MW	STAFF	GYM	24870	9:00- 9:30AM	F	Caines,T	K 108
24829	2:00- 2:30PM	T	STAFF	GYM		9:30-10:50AM	F	Caines,T	K 108
	2:30- 3:50PM	T	STAFF	GYM	PEX 178 - 1.0 UNIT SOCCER, BEGINNING				
24831	5:00- 5:30PM	W	STAFF	GYM	Transferable to UC, CSU				
	5:30- 6:50PM	W	STAFF	GYM	25005	10:00-10:15AM	MW	Artiaga,B	SOCR
24835	7:30- 8:00PM	T	STAFF	GYM		10:15-10:50AM	MW	Artiaga,B	SOCR
	8:00- 9:20PM	T	STAFF	GYM	PEX 179 - 1.0 UNIT SOCCER, FITNESS AND TECHNIQUE				
24837	12:00-12:15PM	TTh	STAFF	GYM	Transferable to UC, CSU				
	12:15-12:50PM	TTh	STAFF	GYM	24874	11:00-11:15AM	MW	Artiaga,B	SOCR
27718	10:00-10:30AM	F	STAFF	GYM		11:15-11:50AM	MW	Artiaga,B	SOCR
	10:30-11:50AM	F	STAFF	GYM	PEX 184 - 1.0 UNIT SWIMMING, NOVICE				
28002	9:30- 9:45AM	TTh	STAFF	GYM	Transferable to UC, CSU				
	9:45-10:20AM	TTh	STAFF	GYM	24876	10:00-10:15AM	TTh	Macias,S	POOL
PEX 152 - 1.0 UNIT GENTLE YOGA					24880 9:00- 9:15AM MW Macias,S POOL				
Transferable to UC, CSU					9:15- 9:50AM MW Macias,S POOL				
26266	11:00-11:15AM	MW	STAFF	GYM	24882	1:00- 1:15PM	MW	Abing,J	POOL
	11:15-11:50AM	MW	STAFF	GYM		1:15- 1:50PM	MW	Abing,J	POOL
27095	8:00- 8:30AM	M	STAFF	GYM	PEX 184 - 1.0 UNIT SWIMMING, NOVICE				
	8:30- 9:50AM	M	STAFF	GYM	Transferable to UC, CSU				
27097	2:00- 2:30PM	T	STAFF	GYM	24876	10:00-10:15AM	TTh	Macias,S	POOL
	2:30- 3:50PM	T	STAFF	GYM		10:15-10:50AM	TTh	Macias,S	POOL
27099	5:00- 5:30PM	W	STAFF	GYM	24880	9:00- 9:15AM	MW	Macias,S	POOL
	5:30- 6:50PM	W	STAFF	GYM		9:15- 9:50AM	MW	Macias,S	POOL

Students not in attendance or late for the first class are subject to drop.

Class#	Time	Day	Instructor	Room	Class#	Time	Day	Instructor	Room
25944	3:00- 3:30PM 3:30- 4:50PM	TTh	Abing,J Abing,J	POOL POOL	PEX 265 - 2.0 UNITS BASKETBALL, INTERMEDIATE Transferable to UC, CSU				
Class# 25944 meets 10/22/2019-12/19/2019					24924	9:00-9:30AM	MW	May,R	GYM
PEX 185 - 1.0 UNIT SWIMMING, BEGINNING Transferable to UC, CSU					25011	9:30-10:50AM 7:00- 7:30PM 7:30- 8:50PM	MW TTh TTh	May,R May,R May,R	GYM GYM GYM
24884	10:00-10:15AM 10:15-10:50AM	TTh	Macias,S Macias,S	POOL POOL	PEX 266 - 2.0 UNITS BASKETBALL, ADVANCED Transferable to UC, CSU				
24886	9:00- 9:15AM 9:15- 9:50AM	MW	Macias,S Macias,S	POOL POOL	24926	9:00- 9:30AM 9:30-10:50AM	MW	May,R May,R	GYM GYM
25007	1:00- 1:15PM 1:15- 1:50PM	MW	Abing,J Abing,J	POOL POOL	25015	7:00-7:30PM 7:30-8:50PM	TTh	May,R May,R	GYM GYM
25946	3:00- 3:30PM 3:30- 4:50PM	TTh	Abing,J Abing,J	POOL POOL	PEX 267 - 2.0 UNITS BOWLING, INTERMEDIATE/ADVANCED Transferable to UC, CSU				
Class# 25946 meets 10/22/2019-12/19/2019					26486	11:00-12:00PM 12:00-12:50PM	F	Haley Peaslee,D Haley Peaslee,D	GYM GYM
PEX 188 - 1.0 UNIT TENNIS, INTRODUCTION Transferable to UC, CSU					PEX 271 - 2.0 UNITS STUNTING, ACROBATICS, AND TUMBLING Transferable to UC, CSU				
29338	9:00- 9:30AM 9:30-10:50AM	TTh	STAFF STAFF	CTS CTS	28216	6.0 HRS ARR		Haley Peaslee,D	STAD
Class# 29338 meets 08/19/2019-10/16/2019					PEX 276 - 2.0 UNITS GOLF, INTERMEDIATE/ADVANCED Transferable to UC, CSU				
PEX 189 - 1.0 UNIT TENNIS, BEGINNING Transferable to UC, CSU					24928	9:00-10:00AM 10:00-10:50AM	F	Caines,T Caines,T	K 108 K 108
29340	9:00- 9:30AM 9:30-10:50AM	TTh	STAFF STAFF	CTS CTS	PEX 278 - 2.0 UNITS SOCCER, INTERMEDIATE/ADVANCED Transferable to UC, CSU				
Class# 29340 meets 08/19/2019-10/16/2019					24930	9:00- 9:30AM 9:30-10:50AM	TTh	Artiaga,B Artiaga,B	SOCR SOCR
PEX 191 - 1.0 UNIT VOLLEYBALL, INTRODUCTION Transferable to UC, CSU					25019	8:00- 8:30AM 8:30- 9:50AM	MW	Artiaga,B Artiaga,B	SOCR SOCR
24896	8:00- 8:15AM 8:15- 8:50AM	TTh	STAFF STAFF	GYM GYM	PEX 284 - 2.0 UNITS SWIMMING, INTERMEDIATE Transferable to UC, CSU				
24899	7:00- 8:20PM	M	STAFF	GYM	24932	1:00- 1:30PM 1:30- 2:50PM	MW	Abing,J Abing,J	POOL POOL
25573	6:30- 7:00PM	M	STAFF	GYM	24934	9:00- 9:30AM 9:30-10:50AM	TTh	Macias,S Macias,S	POOL POOL
PEX 192 - 1.0 UNIT VOLLEYBALL, BEGINNING Transferable to UC, CSU					24936	9:00- 9:30AM 9:30-10:50AM	MW	Macias,S Macias,S	POOL POOL
24900	8:00- 8:15AM 8:15- 8:50AM	TTh	STAFF STAFF	GYM GYM	PEX 285 - 2.0 UNITS SWIMMING, ADVANCED Transferable to UC, CSU				
24902	6:30- 7:00PM 7:00- 8:20PM	M	STAFF STAFF	GYM GYM	24938	1:00- 1:30PM 1:30- 2:50PM	MW	Abing,J Abing,J	POOL POOL
PEX 240 - 2.0 UNITS JOGGING FOR FITNESS, INTERMEDIATE Transferable to UC, CSU					24940	9:00- 9:30AM 9:30-10:50AM	MW	Macias,S Macias,S	POOL POOL
24904	7:30- 8:00AM 8:00-9:20AM	MW	Jensen,D Jensen,D	STADT STADT	25021	9:00- 9:30AM 9:30-10:50AM	TTh	Macias,S Macias,S	POOL POOL
PEX 245 - 2.0 UNITS CIRCUIT WEIGHT TRAINING, INTERMEDIATE/ADVANCED Transferable to UC, CSU					PEX 291 - 2.0 UNITS VOLLEYBALL, INTERMEDIATE Transferable to UC, CSU				
24910	11:00-11:50AM 10:50-12:20PM 11:00-12:50PM	M	May,R May,R May,R	K 108 K 108 K 108	24946	8:00-8:30AM 8:30- 9:50AM	TTh	STAFF STAFF	GYM GYM
24912	4:00- 4:30PM 4:30- 5:50PM	MW	STAFF STAFF	K 108 K 108	24948	6:30-7:30PM 7:30-10:20PM	M	Hemmerling,K Hemmerling,K	GYM GYM
24914	3:00- 3:15PM 3:15- 3:50PM	MTWTh	STAFF STAFF	K 108 K 108	PEX 292 - 2.0 UNITS VOLLEYBALL, ADVANCED Transferable to UC, CSU				
24916	11:00-11:30AM 11:30-12:50PM	TTh	STAFF STAFF	K 108 K 108	24950	8:00- 8:30AM 8:30- 9:50AM	TTh	STAFF STAFF	GYM GYM
24918	9:00- 9:30AM 9:30-10:50AM	TTh	Richardson,C Richardson,C	K 108 K 108	24952	6:30- 7:30PM 7:30-10:20PM	M	Hemmerling,K Hemmerling,K	GYM GYM
24920	5:00- 5:30PM 5:30- 6:50PM	TTh	STAFF STAFF	K 108 K 108	PHYSICAL SCIENCE				
25574	12:00-12:30PM 12:30- 1:50PM	MW	Artiaga,B Artiaga,B	K 108 K 108	PS 100 - 3.0 UNITS PHYSICAL SCIENCE OF MODERN TECHNOLOGY Transferable to UC, CSU				
25576	6:00- 6:15AM 6:15- 6:50AM	MTWTh	Gonzalez,R Gonzalez,R	K 108 K 108	Prerequisite: MATH 40 or equivalent with a grade of "C" or higher or "Pass" or completion of the math placement process with a score eligible for MATH 60.				
26268	7:00-7:30PM 7:30-8:50PM	MW	STAFF STAFF	K 108 K 108	23993	7:00-9:50PM	W	Afrasiabi,J	S 104
PEX 249 - 2.0 UNITS TAE KWON DO, INTERMEDIATE/ADVANCED Transferable to UC, CSU									
24922	1:30-2:00PM 2:00-3:20PM	MW	STAFF STAFF	GYM GYM					
25940	10:00-10:30AM 10:30-11:50AM	TTh	Coliflores,V Coliflores,V	GYM GYM					

Students not in attendance or late for the first class are subject to drop.

PS 112 - 3.0 UNITS PHYSICAL SCIENCE FOR ELEMENTARY SCHOOL TEACHERS

Transferable to CSU
Prerequisite: MATH 105 or MATH 110A or equivalent with a grade of "C" or higher or "Pass" or concurrent enrollment.

28255	9:00-10:00AM	TTh	Patra,S	PST133
	10:00-11:20AM	TTh	Patra,S	PST133

Targeted for Future Teachers but Open to all Students

PHYSICAL THERAPIST ASSISTANT

Applications for Fall 2020 admission to the Physical Therapist Assistant Program are due in the Health Occupations Division Office no later than April 15, 2020. STUDENTS MUST BE ACCEPTED INTO THE PTA PROGRAM PRIOR TO ENROLLING IN ANY CLASS. For more information call (562) 860-2451, Ext. 2550. Clearance of a criminal background check and/or drugs of abuse testing may be required prior to clinical field experience.

PTA 110 - 4.0 UNITS INTRODUCTION TO PHYSICAL THERAPY

Transferable to CSU

20523	4:00-6:50PM	M	STAFF	HS104
20524	4:00- 6:50PM	T	STAFF	HS302
20809	7:00- 9:50PM	T	STAFF	HS302

PLEASE ENROLL IN LAB SECTION OF YOUR CHOICE. THE LECTURE SECTION #20523 WILL BE AUTOMATICALLY ADDED.

PTA 120 - 4.0 UNITS KINESIOLOGY

Transferable to CSU

Prerequisite: A&P 150 and A&P 151 or equivalent with grades of Pass or "C" or higher.

NOTE: a material fee of \$24.00 is required for PTA 120

20525	4:00- 6:50PM	W	STAFF	HS305
20526	4:00- 6:50PM	Th	STAFF	HS302
20810	7:00-9:50PM	Th	STAFF	HS302

PLEASE ENROLL IN LAB SECTION OF YOUR CHOICE. THE LECTURE SECTION #20525 WILL BE AUTOMATICALLY ADDED.

PTA 129 - 1.5 UNITS PHYSICAL THERAPY ASPECTS OF AGING AND INTEGUMENTARY MANAGEMEN

Transferable to CSU

22194	5:00-7:50PM	T	STAFF	HS305
-------	-------------	---	-------	-------

Class# 22194 meets 08/20/2019-10/15/2019

PTA 230 - 4.0 UNITS THERAPEUTIC EXERCISE

Transferable to CSU

Prerequisite: PTA 120 or equivalent with a grade of Pass or "C" or higher.

20527	7:00-9:50PM	M	STAFF	HS305
20811	4:00- 6:50PM	W	STAFF	HS302
20812	7:00-9:50PM	W	STAFF	HS302

PLEASE ENROLL IN LAB SECTION OF YOUR CHOICE. THE LECTURE SECTION #20527 WILL BE AUTOMATICALLY ADDED.

PTA 233 - 2.0 UNITS PROSTHETICS AND ORTHOTICS FOR ALLIED HEALTH PROFESSIONALS

Transferable to CSU

NOTE: a material fee of \$49.00 is required for PTA 233

20813	5:00-6:50PM	M	STAFF	HS305
-------	-------------	---	-------	-------

PTA 236 - 4.0 UNITS CLINICAL PRACTICUM II

Transferable to CSU

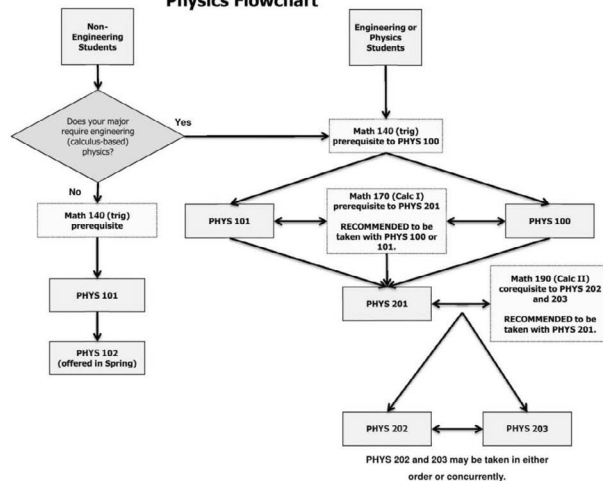
Prerequisite: PTA 125 or equivalent with a grade of Pass or "C" or higher.

NOTE: a material fee of \$13.00 is required for PTA 236

20528	12.3 HRS ARR	STAFF		TBD *
-------	--------------	-------	--	-------

PHYSICS

Physics Flowchart



PHYS 100 - 4.0 UNITS ELEMENTARY PHYSICS

Transferable to UC, CSU

Prerequisite: MATH 140 or equivalent with a grade of "C" or higher or "Pass" or completion of the math placement process with a score eligible for MATH 155.

20481	11:00-12:15PM	MW	Szabo,T	S 104
20482	1:00- 3:50PM	M	Szabo,T	PST124
27957	1:00- 3:50PM	W	Szabo,T	PST124

Note: PLEASE ENROLL IN LAB SECTION OF YOUR CHOICE. THE LECTURE SECTION #20481 WILL AUTOMATICALLY BE ASSIGNED.

Attendance to the first Lab meeting is MANDATORY. Failure to attend will jeopardize your enrollment.

PHYS 101 - 4.0 UNITS GENERAL PHYSICS

Transferable to UC, CSU (CAN PHYS 2)(CAN PHYS SEQ A)

Prerequisite: MATH 140 or equivalent with a grade of "C" or higher or "Pass."

20483	9:30-10:45AM	TTh	STAFF	S 104
20785	11:00- 1:50PM	T	STAFF	PST124
22067	1:00- 3:50PM	Th	Mera,C	PST124
20784	5:30- 6:45PM	MW	STAFF	S 104
20484	7:00- 9:50PM	M	STAFF	PST124
20485	7:00- 9:50PM	W	STAFF	PST124

Note: PLEASE ENROLL IN LAB SECTION OF YOUR CHOICE. THE LECTURE SECTION #20784 WILL AUTOMATICALLY BE ASSIGNED.

Attendance to the first Lab meeting is MANDATORY. Failure to attend will jeopardize your enrollment.

PHYS 201 - 4.0 UNITS ENGINEERING PHYSICS

Transferable to UC, CSU (CAN PHYS 8)(CAN PHYS SEQ B)

Prerequisite: PHYS 100 or PHYS 101 and MATH 170 or equivalents with grades of "C" or higher or "Pass."

27063	12:30- 1:45PM	TTh	STAFF	PST133
	2:00- 4:50PM	T	STAFF	PST133
20786	5:30- 7:20PM	TWTh	Mera,C	PST133
	7:20- 9:20PM	TWTh	Mera,C	PST133

Attendance to the first Lab meeting is MANDATORY. Failure to attend will jeopardize your enrollment.

Class# 20786 meets 08/20/2019-10/17/2019

Class#	Time	Day	Instructor	Room	Class#	Time	Day	Instructor	Room
--------	------	-----	------------	------	--------	------	-----	------------	------

PHYS 202 - 4.0 UNITS ENGINEERING PHYSICS

Transferable to UC, CSU (CAN PHYS 12)(CAN PHYS SEQ B)
Prerequisite: PHYS 201 and MATH 170 or equivalents with grades of "C" or higher or "Pass."
Corequisite: MATH 190 or prior completion of MATH 190 or equivalent with a grade of "C" or higher or "Pass."

20788	2:00- 3:15PM	MW	Buschauer,R	S 104
20789	4:00- 6:50PM	M	Buschauer,R	PST133
24338	11:00- 1:50PM	W	Buschauer,R	PST133

PHYS 203 - 4.0 UNITS ENGINEERING PHYSICS

Transferable to UC, CSU (CAN PHYS 14)(CAN PHYS SEQ B)
Prerequisite: PHYS 201 and MATH 170 or equivalents with grades of "C" or higher or "Pass."
Corequisite: MATH 190 or prior completion of MATH 190 or equivalent with a grade of "C" or higher or "Pass."

22810	3:30- 4:45PM	WF	Mera,C	PST133
	12:30- 3:20PM	F	Mera,C	PST133
27984	5:30- 7:20PM	TWTh	Mera,C	PST133
	7:20- 9:20PM	TWTh	Mera,C	PST133

Class# 27984 meets 10/22/2019-12/19/2019

PLASTICS/COMPOSITES MANUFACTURING TECHNOLOGY

PMT 51 - 2.5 UNITS COMPOSITES FABRICATION

Not Transferable
Recommendation: PMT 70 or equivalent with a grade of Pass or "C" or higher or appropriate work experience.
Please read the technical standards relevant to this department at <http://cms.cerritos.edu/technology/standards.htm>
NOTE: a material fee of \$10.00 is required for PMT 51

26817	6:00- 8:00PM	W	O'Farrell,F	ME 1
	8:00- 9:50PM	W	O'Farrell,F	ME 1
27124	9:00-11:00AM	MW	Fitzgerald,B	ME 1
	11:00-12:50PM	MW	Fitzgerald,B	ME 1

Class# 27124 meets 08/19/2019-10/16/2019

PMT 59 - 2.5 UNITS INJECTION MOLDING I

Not Transferable
NOTE: a material fee of \$10.00 is required for PMT 59

29263	6:00- 8:00PM	F	Mendoza,L	PST230
	8:00- 9:50PM	F	Mendoza,L	ME 1

PMT 61 - 2.5 UNITS FIBERGLASS TECHNOLOGY

Not Transferable
Recommendation: PMT 100 or equivalent with a grade of Pass or "C" or higher.
NOTE: a material fee of \$10.00 is required for PMT 61

28960	6:00- 8:00PM	T	Fitzgerald,B	ME 1
	8:00- 9:50PM	T	Fitzgerald,B	ME 1

PMT 100 - 2.5 UNITS PLASTICS TECHNOLOGY

Transferable to CSU
NOTE: a material fee of \$10.00 is required for PMT 100

22768	6:00- 8:00PM	M	Li,D	ME 1
	8:00- 9:50PM	M	Li,D	ME 1

POLITICAL SCIENCE

POL 101 - 3.0 UNITS AMERICAN POLITICAL INSTITUTIONS

Transferable to UC, CSU (CAN GOVT 2)
Recommendation: Satisfactory completion of the English Placement Process or ENGL 20 or equivalent with a grade of Pass or "C" or higher and satisfactory completion of the Reading Placement Process or READ 43 or equivalent with a grade of Pass or "C" or higher.

23786	3.0 HRS ARR	(OL)	Falcon,D	ONLINE
20486	9:30-10:45AM	MW	Obazuaye,S	SS313
20487	9:30-12:20PM	F	Susuki,D	SS313
20488	11:00-12:15PM	MW	Obasohan,V	SS313
20489	11:00-12:15PM	MW	Falcon,D	SS139
20490	12:30- 1:45PM	MW	Obasohan,V	SS313
20491	3.0 HRS ARR	(OL)	Falcon,D	ONLINE

Note: Visit www.cerritos.edu/dfalcon and follow all instructions on that site no later than midnight of the second day of the semester to satisfy the orientation requirement for this class. Students failing to do this may be dropped as no show.

20492	3.0 HRS ARR	(OL)	Obazuaye,S	ONLINE
	Orientation: 10:00 a.m. - 12:00 p.m., Friday - August 23 in HS102.			
20493	2:00- 3:15PM	TTh	Obasohan,V	SS313
20494	7:00- 9:50PM	W	STAFF	SS313
20495	9:30-10:45AM	TTh	Obasohan,V	SS313
20496	9:30-10:45AM	TTh	Falcon,D	SS308
23787	3.0 HRS ARR	(OL)	Falcon,D	ONLINE

Note: Visit www.cerritos.edu/dfalcon and follow all instructions on that site no later than midnight of the second day of the semester to satisfy the orientation requirement for this class. Students failing to do this may be dropped as no show.

20497	12:30- 1:45PM	TTh	Obasohan,V	SS313
20498	11:00-12:15PM	TTh	Rendon,W	SS313
23788	7:00- 9:50PM	T	STAFF	SS310
20791	5:30- 6:45PM	MW	Obasohan,V	SS313
20793	3.0 HRS ARR	(OL)	Gaffaney,G	ONLINE

Orientation will be conducted online. Instructor will email instructions to enrolled students one week before the start of class.

20794	2:00- 3:15PM	TTh	Mullins,T	SS137
20795	3.0 HRS ARR	(OL)	Obazuaye,S	ONLINE
	Orientation: 10:00 a.m. - 12:00 p.m., Friday - August 23 in HS102.			
20935	3.0 HRS ARR	(OL)	Obazuaye,S	ONLINE
	Orientation: 10:00 a.m. - 12:00 p.m., Friday - August 23 in HS102.			
21275	3.0 HRS ARR	(OL)	Gaffaney,G	ONLINE
	Orientation will be conducted online. Instructor will email instructions to enrolled students one week before the start of class.			
21276	3.0 HRS ARR	(OL)	Mullins,T	ONLINE
	Orientation will be conducted online. Instructor will email instructions to enrolled students one week before the start of class.			

23873	8:00- 9:15AM	MW	Morrione,D	SS313
23874	11:00-12:15PM	MW	Obazuaye,S	SL108
23875	3.0 HRS ARR	(OL)	Mullins,T	ONLINE

Orientation will be conducted online. Instructor will email instructions to enrolled students one week before the start of class.

22052	2:00- 3:15PM	MW	Mullins,T	SS314
21700	12:30- 1:45PM	TTh	Falcon,D	SS308
22119	9:30-10:45AM	MW	Morrione,D	SS307
25930	12:30- 1:45PM	MW	Falcon,D	SS212
25991	2:00- 3:15PM	TTh	Bendon,W	BE105
25992	5:30- 6:45PM	TTh	STAFF	SS137
29276	6:00- 8:50PM	W	Banks,C	SS307
23994	3.6 HRS ARR	(OL)	Mosley,Y	ONLINE

Orientation will be conducted online. Instructor will email instructions to enrolled students one week before the start of class.

	Class# 23994 meets 09/09/2019-12/20/2019			
23789	5:30- 7:00PM	MW	Williams-Manser,D	SS136
	Class# 23789 meets 09/09/2019-12/18/2019			
23790	5:00- 6:35PM	MW	STAFF	SS137
	Class# 23790 meets 09/09/2019-12/18/2019			
27466	7:00- 9:50PM	TTh	Williams-Manser,D	SS311
	Class# 27466 meets 10/22/2019-12/19/2019			

Students not in attendance or late for the first class are subject to drop.

Class#	Time	Day	Instructor	Room	Class#	Time	Day	Instructor	Room					
POL 201 - 3.0 UNITS INTRODUCTION TO POLITICAL SCIENCE AND AMERICAN GOVERNMENT Transferable to UC, CSU Recommendation: Satisfactory completion of the English Placement Process or ENGL 52 or equivalent with a grade of Pass or "C" or higher and satisfactory completion of the Reading Placement Process or READ 54 with a grade of Pass or "C" or higher.					27932	6.0 HRS ARR	(OL)	Duff,K	ONLINE					
20796	3:30- 4:45PM	MW	Mullins,T	SS314	Note: There is no on campus orientation; course is 100% online. Instructor will email students with course information on the first day of the semester. Information will also be posted in Canvas, available through the Cerritos College website. Students must be online by midnight of the first day of class. Waitlist students will be emailed by instructor if they can be added. Class# 27932 meets 10/21/2019-12/20/2019									
24466	12:30- 1:45PM	TTh	Mullins,T	SS307	27933	6.0 HRS ARR	(OL)	St. John,H	ONLINE					
POL 220 - 3.0 UNITS COMPARATIVE GOVERNMENT Transferable to UC, CSU Recommendation: Satisfactory score on the English Placement Process or ENGL 52 with a grade of Pass or "C" or higher and satisfactory completion of the Reading Placement Process or READ 54 with a grade of Pass or "C" or higher.					Note: There is no on campus orientation; course is 100% online. Instructor will email students with course information on the first day of the semester. Information will also be posted in Canvas, available through the Cerritos College website. Students must be online by midnight of the first day of class. Waitlist students will be emailed by instructor if they can be added. Class# 27933 meets 10/21/2019-12/20/2019									
22886	6:00- 8:50PM	W	Obazuaye,S	SS213	29412	6.0 HRS ARR	(OL)	St. John,H	ONLINE					
POL 240 - 3.0 UNITS INTRODUCTION TO POLITICAL THEORY Transferable to UC, CSU Recommendation: Completion of the English Placement Process with a score eligible for ENGL 52 or ENGL 100 or equivalent with a grade of Pass or "C" or higher and completion of the Reading Placement Process with a score eligible for READ 100 or READ 54 or equivalent with a grade of Pass or "C" or higher.					Note: There is no on campus orientation; course is 100% online. Instructor will email students with course information on the first day of the semester. Information will also be posted in Canvas, available through the Cerritos College website. Students must be online by midnight of the first day of class. Waitlist students will be emailed by instructor if they can be added. Class# 29412 meets 10/21/2019-12/20/2019									
22887	6:00- 8:50PM	T	Mullins,T	SS313	PSYC 103 - 3.0 UNITS CRITICAL THINKING IN PSYCHOLOGY Transferable to UC, CSU Prerequisite: ENGL 100 or equivalent with a grade of Pass or "C" or higher.									
POL 250 - 3.0 UNITS MODEL UNITED NATIONS THEORY AND PRACTICE Transferable to CSU Recommendation: Completion of ENGL 52, or ENGL 72, or ESL 152, or equivalent with a grade of "C" or higher, or "Pass," or completion of the placement process with eligibility for ENGL 100 and READ 54 with a grade of "C" or higher or "Pass," and completion of the placement process with a score sufficient to meet the A.					27404	11:00-12:15PM	TTh	Chiros,S	BE110					
24467	6:00- 8:50PM	M	Obazuaye,S	SS307	20511	12:30- 1:45PM	TTh	Pueblos,D	BE111					
<div style="background-color: #4a86e8; color: white; text-align: center; padding: 5px; font-weight: bold; font-size: 1.2em;">PSYCHOLOGY</div>					20512	3:30- 4:45PM	MW	Jasso,A	BE109					
					20801	12:30- 1:45PM	MW	Nguyen,K	LC 22					
					20802	6:30- 9:20PM	M	Ledezma,E	SS314					
					24468	9:30-10:45AM	TTh	Chiros,S	BE110					
					25993	11:00-12:15PM	TTh	STAFF	BE109					
					26061	5:00- 6:15PM	TTh	Larson,M	BE109					
					26078	11:00-12:15PM	MW	Nguyen,K	BE110					
					26739	6:30- 9:20PM	W	Ledezma,E	SS314					
					26738	6:30- 9:20PM	T	Pozos Flores,H	BE109					
					27278	8:00- 9:15AM	TTh	Beas,V	BE111					
					27279	9:30-10:45AM	MW	Nguyen,K	BE111					
					PSYC 150 - 3.0 UNITS PERSONAL AND SOCIAL ADJUSTMENT Transferable to UC, CSU Recommendation: PSYC 101 and ENGL 52 or equivalent with grades or "Pass" or "C" or higher.					20513	12:30- 1:45PM	TTh	Gaffaney,T	SS140
					Note: There is no on campus orientation; course is 100% online. Instructor will email students with course information on the first day of the semester. Information will also be posted in Canvas, available through the Cerritos College website. Students must be online by midnight of the first day of class. Waitlist students will be emailed by instructor if they can be added. Class# 27931 meets 08/19/2019-10/18/2019					20803	12:30- 2:00PM	M	Sanchez,V	SS139
					20500	8:00- 9:15AM	MW	Beas,V	SS213	Class# 20803 meets 09/09/2019-12/16/2019				
					20501	9:30-10:45AM	MW	Adams,B	SS213	PSYC 210 - 4.0 UNITS ELEMENTARY STATISTICS Transferable to UC, CSU (CAN PSY 6) Prerequisite: MATH 80 or MATH 80B or equivalent with a grade of Pass or "C" or higher.				
20502	12:30- 1:45PM	TTh	St. John,H	SS214	27927	9:30-11:00AM	MW	Alabi,B	MP202					
20503	11:00-12:15PM	MW	Adams,B	SS213	22308	11:00-12:20PM	MW	Alabi,B	MP202					
20504	12:30- 1:45PM	MW	Sandoval,C	SS213	20804	12:30- 2:00PM	MW	STAFF	SS215					
25494	6:30- 9:20PM	Th	Larson,M	SS213	20804	2:00- 3:20PM	MW	STAFF	SS215					
20507	9:30-10:45AM	TTh	Ferguson,M	SS213	20804	3:30- 5:00PM	TTh	Sanchez,V	MP202					
20508	11:00-12:15PM	TTh	Ferguson,M	SS213	22888	5:00- 6:20PM	TTh	Sanchez,V	MP202					
28143	9:30-12:20PM	F	Beas,V	SS213	22888	3:30- 5:00PM	MW	Neuse,J	SS215					
27931	6.0 HRS ARR	(OL)	Duff,K	ONLINE	24469	8:00- 9:30AM	TTh	Neuse,J	SS215					
Note: There is no on campus orientation; course is 100% online. Instructor will email students with course information on the first day of the semester. Information will also be posted in Canvas, available through the Cerritos College website. Students must be online by midnight of the first day of class. Waitlist students will be emailed by instructor if they can be added. Class# 22443 meets 08/19/2019-10/18/2019					24469	9:30-10:50AM	TTh	Ronquillo-Adachi,J (Honors Section)	SS215					
22443	6.0 HRS ARR	(OL)	Lewellen,R	ONLINE	24471	6:30- 8:00PM	TTh	Ronquillo-Adachi,J (Honors Section)	SS215					
Note: There is no on campus orientation; course is 100% online. Instructor will email students with course information on the first day of the semester. Information will also be posted in Canvas, available through the Cerritos College website. Students must be online by midnight of the first day of class. Waitlist students will be emailed by instructor if they can be added. Class# 22443 meets 08/19/2019-10/18/2019					24471	8:00- 9:20PM	TTh	Nguyen,K	SS215					
29103	6.0 HRS ARR	(OL)	St. John,H	ONLINE	27929	12:30- 2:00PM	TTh	Nguyen,K	SS215					
Note: There is no on campus orientation; course is 100% online. Instructor will email students with course information on the first day of the semester; information will also be posted in Canvas, available through the Cerritos College website. Students must be online by midnight of the first day of class. Waitlist students will be emailed by instructor if they can be added. Class# 29103 meets 08/19/2019-10/18/2019					27929	2:00- 3:20PM	TTh	Sanchez,V	MP202					
29103	6.0 HRS ARR	(OL)	St. John,H	ONLINE	28144	6:30- 8:00PM	MW	Sanchez,V	MP202					
Note: There is no on campus orientation; course is 100% online. Instructor will email students with course information on the first day of the semester. Information will also be posted in Canvas, available through the Cerritos College website. Students must be online by midnight of the first day of class. Waitlist students will be emailed by instructor if they can be added. Class# 29103 meets 08/19/2019-10/18/2019					28144	8:00- 9:20PM	MW	Ter-Petrosyan,M	MP202					
21731	6.0 HRS ARR	(OL)	Duff,K	ONLINE	29104	9:30-11:00AM	TTh	Ter-Petrosyan,M	MP202					
Note: There is no on campus orientation; course is 100% online. Instructor will email students with course information on the first day of the semester. Information will also be posted in Canvas, available through the Cerritos College website. Students must be online by midnight of the first day of class. Waitlist students will be emailed by instructor if they can be added. Class# 21731 meets 10/21/2019-12/20/2019					29104	11:00-12:20PM	TTh	Ura,M	MP202					
29106	12:30- 2:00PM	MW	Pueblos,D	MP202	29106	12:30- 2:00PM	MW	Pueblos,D	MP202					
29269	3:30- 5:00PM	MW	Ramdass,J	MP202	29269	2:00- 3:20PM	MW	Pueblos,D	MP202					
29271	5:00- 6:20PM	TTh	Taing,A	SS215	29269	3:30- 5:00PM	MW	Ramdass,J	MP202					
29271	5:00- 6:20PM	TTh	Taing,A	SS215	29271	3:30- 5:00PM	TTh	Ramdass,J	MP202					
29271	5:00- 6:20PM	TTh	Taing,A	SS215	29271	5:00- 6:20PM	TTh	Taing,A	SS215					

Students not in attendance or late for the first class are subject to drop.

Class#	Time	Day	Instructor	Room	Class#	Time	Day	Instructor	Room
PSYC 220 - 4.0 UNITS RESEARCH METHODS									
Transferable to UC, CSU (CAN PSY 8)									
Prerequisite: PSYC 101 and PSYC 210 or equivalent with a grade of "Pass" or "C" or higher.									
Recommendation: ENGL 52 or equivalent with a grade of "Pass" or "C" or higher.									
20516	9:30-11:00AM	MW	Yimenu,B	SS215					
	11:00-12:20PM	MW	Yimenu,B	SS215					
25495	6:30- 8:00PM	MW	Garcia,A	SS215					
	8:00- 9:20PM	MW	Garcia,A	SS215					
27002	12:30- 2:00PM	TTh	Ronquillo-Adachi,J	SS215					
	2:00- 3:20PM	TTh	Ronquillo-Adachi,J	SS215					
PSYC 241 - 3.0 UNITS INTRODUCTION TO PSYCHOBIOLOGY									
Transferable to UC, CSU									
Prerequisite: PSYC 101 or equivalent with a grade of "C" or higher or "Pass" and READ 54 or READ 97 with a grade of "C" or higher or "Pass" or completion of the Reading Placement Process with a score of "Reading exempt."									
20518	12:30- 1:45PM	TTh	Ferguson,M	SS213					
20519	6.0 HRS ARR	(OL)	Lewellen,R	ONLINE					
Note: There is no on campus orientation. Orientation is done online and must be done on the first day of class. Instructor will email students with course information one week prior to the start of the semester. All classwork is done online. Email rlwellen@cerritos.edu									
Class# 20519 meets 10/21/2019-12/20/2019									
PSYC 245 - 3.0 UNITS DRUGS AND BEHAVIOR									
Transferable to UC, CSU									
25994	5:00- 7:50PM	T	Garcia,A	SS139					
PSYC 251 - 3.0 UNITS DEVELOPMENTAL PSYCHOLOGY									
Transferable to UC, CSU									
20521	2:00- 3:15PM	TTh	Sandoval,C	BE116					
21280	12:30- 1:45PM	MW	Herdoiza Hernandez,P	BE116					
21424	2:00- 3:15PM	TTh	Gaffaney,T	SS140					
22022	12:30- 1:45PM	TTh	Sandoval,C	BE116					
24473	11:00-12:15PM	TTh	Jasso,A	SS215					
25995	6:30- 9:20PM	T	Larson,M	SS140					
27280	5:00- 6:15PM	MW	Jasso,A	SS139					
PSYC 261 - 3.0 UNITS SOCIAL PSYCHOLOGY									
Transferable to UC, CSU									
22418	9:30-10:45AM	TTh	Duff,K	SS212					
24474	2:00- 3:15PM	TTh	Duff,K	SS312					
29273	3.0 HRS ARR	(OL)	Duff,K	ONLINE					
Note: There is no on campus orientation; course is 100% online. Instructor will email students with course information on the first day of the semester. Information will also be posted in Canvas, available through the Cerritos College website. Students must be online by midnight of the first day of class. Waitlist students will be emailed by instructor if they can be added.									
PSYC 265 - 3.0 UNITS PSYCHOLOGY OF GENDER									
Transferable to UC, CSU									
29519	5:00- 7:50PM	M	STAFF	SS213					
PSYC 271 - 3.0 UNITS ABNORMAL PSYCHOLOGY									
Transferable to UC, CSU									
Recommendation: ENGL 52 or equivalent with a grade of Pass or "C" or higher, and READ 54 or equivalent with a grade of Pass or "C" or higher.									
20522	9:30-10:45AM	TTh	Gaffaney,T	SS141					
20808	6:30- 9:20PM	W	St. John,H	SS139					
PSYC 273 - 3.0 UNITS MENTAL HEALTH WORKER FIELD EXPERIENCE									
Transferable to CSU									
Prerequisite: INST 151, INST 152, PSYC 101, and PSYC 271, with a grade of "C" or higher or "Pass".									
Corequisite: INST 272 with a grade of "C" or higher or "Pass".									
27281	5:00- 5:50PM	Th	Maldonado,C	SS 16					
+ 6.0 HRS ARRSTAFF									
RADIO - TELEVISION									
RTV 151 - 3.0 UNITS MOTION PICTURES, RADIO, AND TELEVISION									
Transferable to CSU									
21430	9:30-10:50AM	MW	Piotrowski,C	BC 47					
28296	9:30-10:50AM	TTh	Piotrowski,C	BC 47					
29084	8:00- 9:30AM	TTh	STAFF	BC 47					
28515	6:00- 9:35PM	M	Piotrowski,C	BC 47					
Class# 28515 meets 09/09/2019-12/16/2019									
21704	2:00- 5:20PM	W	Campolo,R	BC 47					
Class# 21704 meets 09/11/2019-12/18/2019									
RTV 152 - 3.0 UNITS INTRODUCTION TO BROADCASTING									
Transferable to CSU									
21373	12:30- 1:50PM	TTh	Edquist,A	FA245					
READING									
READ 48 - 3.0 UNITS READING ACCESS FOR COLLEGE SUCCESS									
Not Transferable									
Prerequisite: Completion of the Reading Placement Process with eligibility for READ 42 or READ 48.									
24597	8:00- 9:15AM	TTh	Paige,M	LC218					
24599	9:30-10:45AM	TTh	Paige,M	LC218					
26417	7:00- 8:50PM	M	STAFF	LC217					
READ 49 - 3.0 UNITS INTRODUCTION TO COLLEGE READING									
Not Transferable									
Prerequisite: READ 42 or READ 48 with a grade of "C" or higher or "Pass" or completion of the Reading placement process with the eligibility for READ 43 or READ 49.									
29348	12:30- 3:20PM	W	Paige,M	LC217					
29349	9:00-10:20AM	MW	Helberg,B	LC218					
29350	11:00-12:20PM	MW	Helberg,B	LC218					
29351	3.0 HRS ARR	(OL)	Helberg,B	ONLINE					
Mandatory Orientation: Instructor will contact enrolled students before the start of the semester.									
READ 54 - 3.0 UNITS ADVANCED COLLEGE READING									
Not Transferable									
Prerequisite: READ 43 or READ 49 with a grade of "C" or higher or "Pass" or completion of the Reading Placement Process with a score eligible for READ 54 or higher.									
20541	9:00-11:50AM	F	Paige,M	LC218					
20542	3:30- 6:20PM	M	Belroy,B	(HYBRID) LC218					
A PORTION OF THE HOURS FOR THIS CLASS WILL BE ONLINE									
23928	3.0 HRS ARR	(OL)	Helberg,B	ONLINE					
Mandatory Orientation: Instructor will contact enrolled students before the start of the semester.									
29225	12:30- 1:45PM	TTh	Paige,M	LC218					
29226	2:00- 3:15PM	TTh	Paige,M	LC218					
29227	9:00-11:50AM	W	Paige,M	LC217					
29229	3:30- 6:20PM	T	Belroy,B	(HYBRID) LC217					
A PORTION OF THE HOURS FOR THIS CLASS WILL BE ONLINE									
29230	8:00- 9:20AM	TTh	Helberg,B	LC217					
29232	9:30-10:50AM	TTh	Helberg,B	LC217					
29236	6:00- 8:50PM	W	STAFF	LC217					
29231	9:00-10:30AM	TTh	STAFF	LC213					
Class# 29231 meets 09/10/2019-12/19/2019									
READ 200 - 3.0 UNITS ANALYSIS AND CRITICAL READING									
Transferable to UC, CSU									
Prerequisite: Completion of English 100 or equivalent with a grade of "C" or "Pass" or higher and READ 54 or equivalent with a grade of "C" or "Pass" or higher or completion of the reading Placement Process with a score of "Reading Exempt."									
21653	3.0 HRS ARR	(OL)	Belroy,B	ONLINE					
Mandatory Orientation: Instructor will contact enrolled students before the start of the semester.									
25492	7:00- 9:50PM	M	Belroy,B	(HYBRID) LC218					
A PORTION OF THE HOURS FOR THIS CLASS WILL BE ONLINE									
24615	11:00-12:20PM	TTh	STAFF	LC217					
29241	3.0 HRS ARR	(OL)	STAFF	ONLINE					
Mandatory Orientation: Instructor will contact enrolled students before the start of the semester.									

Students not in attendance or late for the first class are subject to drop.

Class#	Time	Day	Instructor	Room	Class#	Time	Day	Instructor	Room
REAL ESTATE					21787	5:30- 6:45PM	MW	Acosta,P	SS316
					20829	2:00- 3:15PM	MW	Tshako,J	SS316
					20552	9:30-10:45AM	TTh	Dunn,M	SS316
					27443	5:30- 6:45PM	TTh	Der-Mesropian,E	SS316
					27749	12:30- 1:45PM	TTh	Dunn,M	SS316
					24480	2:00- 3:30PM	TTh	Holzgang,A	(Honors Section) SS314
					Class# 24480 meets 09/10/2019-12/19/2019				
26110	7:00-10:30PM	M	Hupp,S	SS312	24479	6.0 HRS ARR	(OL)	Brain-Arellano	ONLINE
					Orientation: All class information will be available in Canvas.				
					Class# 24479 meets 10/22/2019-12/19/2019				
					SOC 110	- 3.0 UNITS MARRIAGE AND THE FAMILY			
					Transferable to UC, CSU				
					20556	2:00- 3:15PM	TTh	Dunn,M	SS316
					20830	7:00- 9:50PM	T	Der-Mesropian,E	SS316
					27983	12:30- 1:45PM	MW	Dunn,M	FA134
					SOC 120	- 3.0 UNITS INTRODUCTION TO HUMAN SEXUALITY			
					Transferable to UC, CSU				
					20561	11:00-12:15PM	TTh	Smart,B	SS314
					SOC 201	- 3.0 UNITS SOCIAL PROBLEMS			
					Transferable to UC, CSU (CAN SOC 4)				
					Recommendation: SOC 101 or equivalent with a grade of Pass or "C" or higher.				
					21604	11:00-12:15PM	MW	Tshako,J	SS314
					26208	2:00- 3:15PM	TTh	Tshako,J	SS213
					SOC 202	- 3.0 UNITS GENDER AND SOCIETY			
					Transferable to UC, CSU				
					Recommendation: SOC 101 or WGS 101 with a grade of "C" or higher or "Pass."				
					29128	3.0 HRS ARR	(OL)	Gregg,H	ONLINE
					22310	2:00- 3:30PM	MW	Holzgang,A	(Women's Studies) SS140
					Class# 22310 meets 09/09/2019-12/18/2019				
					27750	9:30-11:00AM	TTh	STAFF	SS138
					Class# 27750 meets 09/10/2019-12/19/2019				
					SOC 205	- 3.0 UNITS INTRODUCTION TO SOCIAL RESEARCH METHODS			
					Transferable to UC, CSU				
					Prerequisite: SOC 101 or ANTH 100 or equivalent with a grade of Pass or "C" or higher.				
					Recommendation: ENGL 100 or equivalent and MATH 80 or equivalent with grades of Pass or "C" or higher.				
					26209	12:30- 2:00PM	TTh	Holzgang,A	(Honors Section) BE105
					Class# 26209 meets 09/10/2019-12/19/2019				
					SOC 210	- 3.0 UNITS AMERICAN MINORITY RELATIONS			
					Transferable to UC, CSU				
					Recommendation: SOC 101 or equivalent with a grade of Pass or "C" or higher.				
					24481	9:30-10:45AM	MW	Tshako,J	SS137
					SOC 220	- 3.0 UNITS INTRODUCTION TO HUMAN SERVICES			
					Transferable to CSU				
					Recommendation: SOC 101 or PSYC 101 or equivalent with a grade of Pass or "C" or higher is strongly recommended.				
					29129	9:30-10:45AM	TTh	Diaz,C	SS214

SPANISH

					SPAN 101	- 5.0 UNITS ELEMENTARY SPANISH			
					Transferable to UC, CSU (CAN SPAN 2)				
					20562	8:30-10:45AM	TTh	Cabuto,F	LA211
						+ 1.0 HRS ARR		Cabuto,F	LC205
					LAB IS ONE HOUR PER WEEK IN THE SUCCESS CENTER				
					20563	3:00- 5:15PM	TTh	STAFF	SS306
						+ 1.0 HRS ARR		STAFF	LC205
					LAB IS ONE HOUR PER WEEK IN THE SUCCESS CENTER				
					23946	4:30- 6:45PM	MW	STAFF	LA209
						+ 1.0 HRS ARR		STAFF	LC205
					LAB IS ONE HOUR PER WEEK IN THE SUCCESS CENTER				
					23948	8:00-10:15AM	MW	STAFF	SS306
						+ 1.0 HRS ARR		STAFF	LC205
					LAB IS ONE HOUR PER WEEK IN THE SUCCESS CENTER				
					20564	11:00- 1:15PM	TTh	STAFF	SL107
						+ 1.0 HRS ARR		STAFF	LC205
					LAB IS ONE HOUR PER WEEK IN THE SUCCESS CENTER				

SOCIOLOGY

					SOC 101	- 3.0 UNITS INTRODUCTORY SOCIOLOGY PRINCIPLES			
					Transferable to UC, CSU (CAN SOC 2)				
					20549	11:00-12:15PM	MW	Dunn,M	SS316
					20550	12:30- 1:45PM	MW	Holzgang,A	SS314
					30 seats in this class are reserved for the FYE Health Occupations House Learning Community, which includes COUN 200 #22518, ENGL 100 #20205, MATH 112 #20340, and MATH 5 #29063. To enroll in the learning community, please complete this contract http://cms.cerritos.edu/lcp/FYE_Contract_Page.htm .				
					21607	11:00-12:15PM	TTh	Ysais,M	SS316
					20553	8:00- 9:15AM	TTh	Dunn,M	SS314
					20554	8:00- 9:15AM	MW	Tshako,J	SS314
					20555	2:00- 3:15PM	TTh	Der-Mesropian,E	SS214
					26427	9:30-10:45AM	MW	Ysais,M	SS316

Students not in attendance or late for the first class are subject to drop.

Class#	Time	Day	Instructor	Room	Class#	Time	Day	Instructor	Room
20565	7:00- 9:15PM + 1.0 HRS ARR	MW	STAFF STAFF	LA209 LC205	SPAN 210 - 3.0 UNITS HIGHLIGHTS OF HISPANIC CULTURE Transferable to UC, CSU Prerequisite: SPAN 102 or SPAN 112 or equivalent with a grade of Pass or "C" or higher.				
24591	10:30-12:45PM + 1.0 HRS ARR	MW	STAFF STAFF	CE 1 LC205	29347	11:00-12:15PM	TTh	STAFF	LA211
26037	4:30- 6:45PM + 1.0 HRS ARR	TTh	STAFF STAFF	LA209 LC205	SPAN 223 - 3.0 UNITS SPANISH FOR HEALTH AND MEDICAL CAREERS Transferable to CSU				
20832	12:30- 2:45PM + 1.0 HRS ARR	MW	STAFF STAFF	LC218 LC205	24593	9:00-12:05PM	Sat	STAFF	LA210
20833	3:00- 5:15PM + 1.0 HRS ARR	TTh	Ugalde,M Ugalde,M	LA213 LC205	Class# 24593 meets 08/24/2019-12/14/2019				
20834	7:00- 9:15PM + 1.0 HRS ARR	TTh	STAFF STAFF	LA209 LC205	SPAN 245 - 3.0 UNITS INTRODUCTION TO CHICANO/MEXICAN AMERICAN CULTURE Transferable to UC, CSU				
26508	2:00- 4:15PM + 1.0 HRS ARR	MW	STAFF STAFF	LA213 LC205	20570	12:30- 1:45PM	TTh	STAFF	SS314
26981	9:00- 1:50PM + 1.0 HRS ARR	F	STAFF STAFF	LA213 LC205	20836	3.0 HRS ARR	(OL)	STAFF	ONLINE
28011	8:00-10:15AM + 1.0 HRS ARR	TTh	STAFF STAFF	LA212 LC205	Mandatory Orientation: 12:00 - 2:00 p.m., Friday - August 23 in LA103.				
28013	4:30- 6:45PM + 1.0 HRS ARR	MW	STAFF STAFF	LA213 LC205	SPEECH, NOW KNOWN AS COMMUNICATION STUDIES				
29343	10:00-12:15PM + 1.0 HRS ARR	MW	Cabuto,F Cabuto,F	LA211 LC205	COMM 60 - 3.0 UNITS BASICS OF SPEECH COMMUNICATION Not Transferable				
27923	9:00- 2:20PM + 1.1 HRS ARR	Sat	STAFF STAFF	LA213 LC205	29593	7:00-9:50PM	M	Forsythe,C	SS211
LAB IS ONE HOUR PER WEEK IN THE SUCCESS CENTER Class# 27923 meets 08/24/2019-12/14/2019					COMM 100 - 3.0 UNITS INTRODUCTION TO COMMUNICATIONS STUDIES Transferable to UC, CSU (CAN SPCH 2) Prerequisite: Completion of at least one of these courses with a grade of "C" or higher or "Pass" or an equivalent course: SPCH 60, ENGL 52, ENGL 72, ESL 152, READ 54, READ 97, or completion of the English or Reading Placement process.				
SPAN 102 - 5.0 UNITS ELEMENTARY SPANISH Transferable to UC, CSU (CAN SPAN 4) Prerequisite: SPAN 101 or SPAN 103B or SPAN 111 or equivalent with a grade of "C" or higher or "Pass."					20571	11:00-12:15PM	TTh	Trickett,D	SS211
20566	4:30- 6:45PM + 1.0 HRS ARR	TTh	STAFF STAFF	LA109 LC205	20574	4:00-5:15PM	MW	Hernandez,W	SS211
22351	2:00- 4:15PM + 1.0 HRS ARR	MW	STAFF STAFF	LA210 LC205	20575	9:30-10:45AM	TTh	Benitez-Whitney,M	LA105
LAB IS ONE HOUR PER WEEK IN THE SUCCESS CENTER					20578	4:00-6:50PM	W	Curva,A	SS207
SPAN 111 - 5.0 UNITS ELEMENTARY SPANISH FOR SPANISH SPEAKERS Transferable to UC, CSU					20579	7:00-9:50PM	Th	STAFF	SS211
22682	8:30-10:45AM + 1.0 HRS ARR	TTh	STAFF STAFF	LA210 LC205	20580	9:30-12:20PM	F	Nia,H	SS211
20567	12:30- 2:45PM + 1.0 HRS ARR	TTh	Ugalde,M Ugalde,M	LA210 LC205	21786	6:30-9:45PM	W	STAFF	SS225
20568	8:00-10:15AM + 1.0 HRS ARR	MW	Ugalde,M Ugalde,M	LA210 LC205	21656	2:30-3:45PM	MW	Hanniff,B	SS211
29345	10:30-12:45PM + 1.0 HRS ARR	MW	Ugalde,M Ugalde,M	LA210 LC205	22279	1:00-3:50PM	F	Nia,H	SS211
LAB IS ONE HOUR PER WEEK IN THE SUCCESS CENTER					27082	7:00-9:50PM	M	Salim,F	SS224
SPAN 112 - 5.0 UNITS ELEMENTARY SPANISH FOR SPANISH SPEAKERS Transferable to UC, CSU Prerequisite: SPAN 101 or SPAN 111 or SPAN 103B or equivalent with a grade of Pass or "C" or higher.					26538	5:30-6:45PM	MW	Hernandez,W	SS224
20569	12:30- 2:45PM + 1.0 HRS ARR	MW	Cabuto,F Cabuto,F	LA211 LC205	25973	5:30-6:45PM	TTh	Michel,L	SS211
LAB IS ONE HOUR PER WEEK IN THE SUCCESS CENTER					26507	12:30- 1:45PM	MW	Hanniff,B	SS224
SPAN 201 - 5.0 UNITS INTERMEDIATE SPANISH Transferable to UC, CSU (CAN SPAN 8) Prerequisite: SPAN 102 or SPAN 112 or equivalent with a grade of Pass or "C" or higher.					26518	11:00-12:15PM	MW	Sparks Jr.,W	SS225
20835	4:00- 6:15PM + 1.0 HRS ARR	TTh	STAFF STAFF	SS136 LC205	27193	4:00-6:50PM	Th	STAFF	SS225
LAB IS ONE HOUR PER WEEK IN THE SUCCESS CENTER					27305	8:00-9:15AM	MW	Carrell,K	SS207
					27325	9:30-10:45AM	TTh	Acosta-Licea,J	LM35*
					This class is being held at our satellite campus. La Mirada Center, 15310 Alondra Blvd., La Mirada, 90638 in classroom #35				
					27326	8:00-9:15AM	TTh	Acosta-Licea,J	LM35*
					This class is being held at our satellite campus. La Mirada Center, 15310 Alondra Blvd., La Mirada, 90638 in classroom #35				
					27451	9:30-12:15PM	M	Journeay,J	SS224
					27468	3.0 HRS ARR	(OL)	Wagner,H	ONLINE
					Students must log-in to Canvas on or before the first day of class for course information.				
					27469	2:30-3:45PM	MW	Hernandez,W	SS225
					27917	2:00-3:15PM	TTh	Hanniff,B	SS224
					27918	3:30-4:45PM	TTh	Toomey,A	SS211
					29242	8:00-9:15AM	MW	Journeay,J	SS211
					29244	3.0 HRS ARR	(OL)	Hanniff,B	ONLINE
					Students must log-in to Canvas on or before the first day of class for course information.				
					29245	3.0 HRS ARR	(OL)	Forsythe,C	ONLINE
					Students must log-in to Canvas on or before the first day of class for course information.				
					29246	3.0 HRS ARR	(OL)	Wagner,H	ONLINE
					Students must log-in to Canvas on or before the first day of class for course information.				
					29352	4:00-6:50PM	M	Curva,A	SS207
					29603	8:00-9:15AM	MW	STAFF	LM35*
					Note: This class is being held at our satellite campus. La Mirada Center, 15310 Alondra Blvd., La Mirada, 90638 in classroom #35.				

Students not in attendance or late for the first class are subject to drop.

Class#	Time	Day	Instructor	Room	Class#	Time	Day	Instructor	Room	
29604	9:30-10:45AM	MW	STAFF	LM35*	23936	8:00-9:15AM	TTh	Aguirre,S	SS224	
Note: This class is being held at our satellite campus. La Mirada Center, 15310 Alondra Blvd., La Mirada, 90638 in classroom #35.					27083	11:00-12:15PM	MW	Hoppe-Nagao,A	SS207	
29632	3.0 HRS ARR	(OL)	Lavariere,C	ONLINE	29251	9:30-10:45AM	TTh	Gonzalez,R	SS224	
Mandatory Orientation: Enrolled students will be contacted by the instructor before the first day of class.					COMM 125 - 3.0 UNITS ORGANIZATIONAL COMMUNICATION					
29633	3.0 HRS ARR	(OL)	Lavariere,C	ONLINE	Transferable to CSU					
Mandatory Orientation: Enrolled students will be contacted by the instructor before the first day of class.					Recommendation: Suggested completion of at least one of these courses with a grade of "C" or higher or "Pass" or an equivalent course: ENGL 72, or ESL 152, or READ 54, or READ 97, or completion of the English, r ESL or Reading placement/assessment process with eligibility for ENGL 100.					
26984	12:30-2:00PM	TTh	Acosta-Licea,J	SS211	23507	8:00-9:15AM	TTh	Benitez-Whitney,M	SS225	
Class# 26984 meets 09/10/2019-12/19/2019					27919	2:30-3:45PM	MW	Curva,A	SS207	
27439	8:00-9:30AM	TTh	Journey,J	SS207	COMM 130 - 3.0 UNITS PUBLIC SPEAKING					
Class# 27439 meets 09/10/2019-12/19/2019					Transferable to UC, CSU (CAN SPCH 4)					
29243	9:30-12:35PM	Sat	Nia,H	SS211	Prerequisite: Completion of at least one of these courses with a grade of "C" or higher or "Pass" or an equivalent course:COMM 60,ENGL 52,ENGL72,ESL 152,READ 54,READ 97 or completion of the English or Reading placement/assessment process with eligibility for ENGL 100.					
Class# 29243 meets 08/24/2019-11/23/2019					21866	12:30-1:45PM	MW	Hoppe-Nagao,A	SS207	
20887	9:30-12:20PM	M	Carrell,K	(HYBRID)	20584	12:30-1:45PM	TTh	Rosenfeld,K	SS207	
A portion of the hours, +3.42 hrs. will be arranged online.					20586	4:00-5:15PM	MW	Salim,F	SS225	
Class# 20887 meets 08/19/2019-10/14/2019					21463	7:00-9:50PM	W	Forsythe,C	SS224	
24079	9:30-12:20PM	M	Carrell,K	(HYBRID)	23938	2:00-3:15PM	TTh	Mathews,N	SS207	
A portion of the hours, +3.42 hrs. will be arranged online.					24619	9:30-12:15PM	W	Rosenfeld,K	SS224	
Class# 24079 meets 10/21/2019-12/16/2019					25976	8:00-9:15AM	TTh	Gonzalez,R	SS211	
COMM 103 - 3.0 UNITS ARGUMENTATION, PERSUASION, AND CRITICAL THINKING					22411	10:00-12:50PM	F	Montenegro,D	SS207	
Transferable to UC, CSU (CAN SPCH 6)					29252	8:00-9:15AM	MW	Sparks Jr.,W	SS225	
Prerequisite: Completion of ENGL 100 or equivalent with a grade of Pass or "C" or higher.					23937	2:00-5:30PM	M	Mathews,N	SS224	
22149	9:30-10:45AM	MW	Sparks Jr.,W	SS225	Class# 23937 meets 09/09/2019-12/16/2019					
21658	4:00-5:15PM	MW	STAFF	SS306	28407	9:30-11:00AM	TTh	Rosenfeld,K	MCIS21	
20590	9:30-10:45AM	TTh	Aguirre,S	SS225	Targeted for Future Teachers but Open to all Students					
26988	12:30-2:00PM	MW	Ayala,E	SS225	Class# 28407 meets 09/10/2019-12/19/2019					
Class# 26988 meets 09/09/2019-12/18/2019					29253	9:30-12:20PM	W	Griffin,A	(HYBRID)	SS211
24624	12:30-2:00PM	TTh	Mathews,N	SS225	A portion of the hours, +3.0 hrs. will be arranged online.					
Class# 24624 meets 09/10/2019-12/19/2019					Class# 29253 meets 08/21/2019-10/16/2019					
COMM 110 - 3.0 UNITS INTERCULTURAL COMMUNICATION					29254	9:30-12:20PM	W	Griffin,A	(HYBRID)	SS211
Transferable to UC, CSU					A portion of the hours, +3.0 hrs. will be arranged online.					
Prerequisite: Completion of at least one of these courses with a grade of "C" or higher or "Pass" or an equivalent course: SPCH 60, ENGL 52, ESL 152, READ 54, READ 97, or completion of the English or Reading placement process.					Class# 29254 meets 10/23/2019-12/18/2019					
20581	9:30-10:45AM	TTh	Hoppe-Nagao,A	SS207	COMM 132 - 3.0 UNITS SMALL GROUP COMMUNICATION					
25057	2:00-3:30PM	TTh	Toomey,A	SS225	Transferable to UC, CSU (CAN SPCH 10)					
Class# 25057 meets 09/10/2019-12/19/2019					Prerequisite: Completion of at least one of these courses with a grade of "C" or higher or "Pass" or an equivalent course:COMM 60,ENGL 52,ENGL72,ESL 152,READ 54,READ 97 or completion of the English or Reading placement/assessment process with eligibility for ENGL 100.					
25632	6.0 HRS ARR	(OL)	Hoppe-Nagao,A	ONLINE	21657	5:30-6:45PM	MW	Salim,F	SS211	
Students must log-in to Canvas on or before the first day of class for course information and to complete the orientation quiz.					26315	11:00-12:15PM	TTh	Wagner,H	SS225	
Class# 25632 meets 08/19/2019-10/18/2019					COMM 140 - 3.0 UNITS ORAL INTERPRETATION OF LITERATURE					
25633	6.0 HRS ARR	(OL)	Hoppe-Nagao,A	ONLINE	Transferable to UC, CSU					
Students must log-in to Canvas on or before the first day of class for course information and to complete the orientation quiz.					Prerequisite: Completion of at least one of these courses with a grade of "C" or higher or "Pass" or an equivalent course:COMM 60,ENGL 52,ENGL72,ESL 152,READ 54,READ 97 or completion of the English or Reading placement/assessment process with eligibility for ENGL 100.					
Class# 25633 meets 10/21/2019-12/20/2019					24622	11:00-12:15PM	TTh	Gonzalez,R	SS224	
COMM 115 - 3.0 UNITS GENDER, COMMUNICATION, AND THE DIGITAL REVOLUTION					COMM 200 - 3.0 UNITS CONTEMPORARY COMMUNICATION TOPICS					
Transferable to CSU					Transferable to CSU					
Prerequisite: Completion of at least one of these courses with a grade of "C" or higher or "Pass" or an equivalent course:COMM 60,ENGL 52,ENGL72,ESL 152,READ 54,READ 97 or completion of the English or Reading placement/assessment process with eligibility for ENGL 100.					Recommendation: Suggested completion of at least one of these courses with a grade of "C" or higher or "Pass" or an equivalent course ENGL 72, or ESL 152, or READ 54, or READ 97, or completion of the English, or ESL or Reading assessment/placement process with eligibility for ENGL 100.					
29248	9:30-11:00AM	TTh	Rosenfeld,K	SS211	24623	6.0 HRS ARR	(OL)	Rosenfeld,K	ONLINE	
Class# 29248 meets 09/10/2019-12/19/2019					Students must log-in to Canvas on or before the first day of class for course information.					
29249	6.0 HRS ARR	(OL)	Rosenfeld,K	ONLINE	Class# 24623 meets 10/21/2019-12/20/2019					
Class# 29249 meets 08/19/2019-10/18/2019					COMM 231 - 1.0 UNIT FORENSICS ACTIVITY 1 (COMPETITIVE SPEECH AND DEBATE)					
28151	6.0 HRS ARR	(OL)	Rosenfeld,K	ONLINE	Transferable to CSU					
This course is completely online. Students must log-in to Canvas on or before the first day of class for course information.					27190	1.0 HRS ARR		Mathews,N	SS224	
Class# 28151 meets 10/21/2019-12/20/2019					Class will meet Tuesday and Thursday at 4:00-5:30 p.m. in SS224.					
COMM 120 - 3.0 UNITS INTERPERSONAL COMMUNICATION					Class# 27190 meets 08/19/2019-12/20/2019					
Transferable to CSU					COMM 232 - 2.0 UNITS FORENSICS ACTIVITY 2 (COMPETITIVE SPEECH AND DEBATE)					
Prerequisite: Completion of at least one of these courses with a grade of "C" or higher or "Pass" or an equivalent course:COMM60,ENGL 52,ENGL72,ESL 152,READ 54,READ 97 or completion of the English or Reading placement/assessment process with eligibility for ENGL 100.					Transferable to CSU					
20582	7:00-9:50PM	T	STAFF	SS211	27191	2.0 HRS ARR		Mathews,N	SS224	
21864	12:30-1:45PM	TTh	Hanniff,B	SS224	Class will meet Tuesday and Thursday at 4:00-5:30 p.m. in SS224.					
20583	11:00-12:15PM	TTh	Toomey,A	SS207	Class# 27191 meets 08/19/2019-12/20/2019					
25059	8:00-9:15AM	MW	Ayala,E	SS224						

Students not in attendance or late for the first class are subject to drop.

Class#	Time	Day	Instructor	Room	Class#	Time	Day	Instructor	Room
COMM 233 - 3.0 UNITS FORENSICS ACTIVITY 3 (COMPETITIVE SPEECH AND DEBATE)					26098	3:00- 6:30PM	Th	Sneed,H	CB102
Transferable to CSU					Class# 26098 meets 09/12/2019-12/19/2019				
27192	3.0 HRS ARR	STAFF		SS224	27416	6.0 HRS ARR	(OL)	Reiter,B	ONLINE
Class will meet Tuesday and Thursday at 4:00-5:30 p.m. in SS224.					Note: This is an ONLINE course - all instruction is completed online. No in-person orientation. Please check Canvas for online orientation information and directions for completion (instructor e-mail address: breiter@cerritos.edu).				
Class# 27192 meets 08/19/2019-12/20/2019					Class# 27416 meets 08/19/2019-10/18/2019				

SPEECH AND LANGUAGE PATHOLOGY

SLP 101 - 3.0 UNITS INTRODUCTION TO COMMUNICATION DISORDERS				
Transferable to CSU				
Recommendation: Completion of ENGL 52, or ENGL 72, or ESL 152, or equivalent with a grade of "C" or higher or "Pass", or completion of the placement process with eligibility for ENGL 100.				
24198	6:00- 8:50PM	M	McDonald,S	SL106
SLP 105 - 3.0 UNITS SPEECH AND LANGUAGE DEVELOPMENT IN CHILDREN				
Transferable to CSU				
22670	6:00- 8:50PM	T	Buchheit,A	SL108
SLP 125 - 5.0 UNITS CHILD DISORDERS AND TREATMENT				
Transferable to CSU				
Prerequisite: SLP 101 with a grade of "C" or higher or "Pass" or equivalent.				
29282	6:00- 8:50PM	T	McDonald,S	SL106
	5:00- 7:50PM	W	McDonald,S	SL106
SLP 235 - 5.0 UNITS ADULT DISORDERS AND TREATMENT				
Transferable to CSU				
Prerequisite: SLP 101 with a grade of "C" or higher or "Pass" or equivalent.				
22359	6:00- 8:00PM	MW	Oh,S	CB102
	8:00- 9:15PM	MW	Oh,S	CB102

Enrollment in SLP 241 and SLP 246 is contingent upon department approval. All placements are done by the instructor and require the student to be available Monday – Friday during regular business hours. On the first Thursday of the 18-week calendar, students are required to attend a mandatory orientation and submit all required documentation as stated in the SLPA Handbook and listed on the website under "Field Placements" at www.cerritos.edu/slpa. Resume, clearance of an interview, a criminal background check, and/or drugs of abuse testing may be required prior to clinical field experience and are the responsibility of the student. Students are responsible for their own transportation to and from their clinical placements.

SLP 241 - 2.5 UNITS CLINICAL EXPERIENCE I				
Transferable to CSU				
Prerequisite: SLP 108 and SLP 125 or equivalent with grades of "C" or higher or "Pass." Students must have departmental approval to enroll in this course.				
26093	4:00- 5:05PM	M	McDonald,S	SL106
	+ 5.4 HRS ARR		McDonald,S	TBD *
Class# 26093 meets 09/09/2019-12/16/2019				

THEATRE ARTS

TH 101 - 3.0 UNITS INTRODUCTION TO THE THEATRE				
"FIELD TRIPS TO LOCAL THEATRE PRODUCTIONS MAY BE REQUIRED				
If so, students provide their own theatre tickets – please check with your instructor for specific event information."				
Note: This is an ONLINE course – all instruction is completed online. No in-person orientation. Please check Canvas for online orientation information and directions for completion (instructor e-mail address: lwahlquist@cerritos.edu).				
Transferable to UC, CSU (CAN DRAM 18)				
23858	3.0 HRS ARR	(OL)	Wahlquist,L	ONLINE
23859	11:00-12:15PM	MW	Prell,J	FA134
23432	9:30-10:45AM	TTh	Watanabe-Lonsbury,S	FA133
25999	11:30-12:45PM	TTh	Hartl,F	BC 47
21290	3.0 HRS ARR	(OL)	Wahlquist,L	ONLINE
Note: This is an ONLINE course – all instruction is completed online. No in-person orientation. Please check Canvas for online orientation information and directions for completion (instructor e-mail address: lwahlquist@cerritos.edu).				
29455	9:30-10:50AM	MW	Prell,J	FA134
23433	6:00- 9:30PM	T	Walton,E	BC 47
Class# 23433 meets 08/20/2019-11/05/2019				

TH 103 - 3.0 UNITS HISTORY OF THE MODERN THEATRE				
Transferable to UC, CSU				
29085	3:00- 6:10PM	W	Reiter,B	FA133
TH 108 - 3.5 UNITS IMPROVISATION FOR THE THEATRE				
Transferable to UC, CSU				
23639	9:00-10:30AM	TTh	Hartl,F	BC 31
	10:30-11:30AM	TTh	Hartl,F	BC 31
TH 110 - 3.5 UNITS FUNDAMENTALS OF ACTING				
Transferable to UC, CSU (CAN DRAM 8)				
27696	3:00- 5:00PM	TTh	Reiter,B	CB 105
	5:00- 6:15PM	TTh	Reiter,B	CB 105
Class# 27696 meets 08/20/2019-11/28/2019				
TH 115 - 3.0 UNITS STAGE MOVEMENT AND COMBAT				
Transferable to UC, CSU				
28024	12:30- 2:45PM	TTh	STAFF	BC 31
	2:45- 3:20PM	TTh	STAFF	BC 31
TH 120 - 3.0 UNITS THEATRE STAGECRAFT				
Transferable to UC, CSU (CAN DRAM 12)				
NOTE: a material fee of \$35.00 is required for TH 120				
29434	2:00- 4:00PM	W	Ward,D	BC 20
	4:00- 7:00PM	W	Ward,D	BC 20
TH 123 - 3.0 UNITS STAGE MAKE-UP				
Transferable to UC, CSU (CAN DRAM 14)				
NOTE: a material fee of \$85.00 is required for TH 123				
28770	8:55- 9:55AM	WF	Watanabe-Lonsbury,S	SOHS*
	9:55-12:00PM	WF	Watanabe-Lonsbury,S	SOHS*
Class# 28770 meets 09/11/2019-12/20/2019				
TH 123A - 3.0 UNITS ADVANCED STAGE MAKEUP				
Transferable to UC, CSU				
Prerequisite: TH 123 or equivalent with a grade of Pass or "C" or higher.				
Recommendation: ART 110 and ART 112 or equivalent with grades of Pass or "C" or higher.				
NOTE: a material fee of \$85.00 is required for TH 123A				
28027	9:00-11:00AM	M	Watanabe-Lonsbury,S	BC 20
	11:00- 1:50PM	M	Watanabe-Lonsbury,S	BC 20
TH 130 - 1.0 UNIT REHEARSAL AND PERFORMANCE FOR THE MINOR ROLE				
Transferable to UC, CSU				
AUDITIONS ARE REQUIRED TO ENROLL IN THE FOLLOWING CLASSES: TH 130, 131, 132, 136, 137, 146, and 147. Please phone the Theatre Production Office to receive an audition flier and complete information at (562) 467-5058.				
25135	7:00- 7:50PM	F	STAFF	BC 31
	+ 5.0 HRS ARR		STAFF	BC 31
Class# 25135 meets 08/23/2019-10/18/2019				
25137	7:00- 7:50PM	F	STAFF	BC 31
	+ 5.0 HRS ARR		STAFF	BC 31
Class# 25137 meets 10/25/2019-12/20/2019				
TH 131 - 2.0 UNITS REHEARSAL AND PERFORMANCE FOR THE SUPPORTING ROLE				
Transferable to UC, CSU				
25139	7:00- 8:50PM	F	STAFF	BC 31
	+ 8.0 HRS ARR		STAFF	BC 31
Class# 25139 meets 08/23/2019-10/18/2019				
25141	7:00- 8:50PM	F	STAFF	BC 31
	+ 8.0 HRS ARR		STAFF	BC 31
Class# 25141 meets 10/25/2019-12/20/2019				

Students not in attendance or late for the first class are subject to drop.

Class#	Time	Day	Instructor	Room	Class#	Time	Day	Instructor	Room
TH 132 - 3.0 UNITS REHEARSAL AND PERFORMANCE FOR THE LEADING ROLES					WELD 52 - 4.0 UNITS PIPE WELDING FUNDAMENTALS				
Transferable to UC, CSU (CAN DRAM 16)					Not Transferable				
25131	7:00- 8:50PM	F	STAFF	BC 31	Prerequisite: WELD 210L or equivalent with a grade of Pass or "C" or higher.				
	+14.0 HRS ARR		STAFF	BC 31	Recommendation: Current Los Angeles City or AWS certification for structural steel.				
	Class# 25131 meets 08/23/2019-10/18/2019				NOTE: a material fee of \$100.00 is required for WELD 52				
25133	7:00- 8:50PM	F	STAFF	BC 31	27360	6:00- 7:00PM	TTh	Allen Jr.,A	ME 13
	+14.0 HRS ARR		STAFF	BC 31		7:00- 9:50PM	TTh	Allen Jr.,A	ME 13
	Class# 25133 meets 10/25/2019-12/20/2019				WELD 53 - 2.0 UNITS PIPE LAYOUT				
TH 133 - 1.0 UNIT STAGE CREW ACTIVITY					Not Transferable				
Transferable to UC, CSU					Prerequisite: WELD 120 or equivalent with a grade of Pass or "C" or higher or appropriate work experience.				
26502	7:00- 8:00PM	T	Watanabe-Lonsbury,S	BC 20	NOTE: a material fee of \$100.00 is required for WELD 53				
	+ 5.0 HRS ARR		Watanabe-Lonsbury,S	BC 20	27625	8:00- 9:00AM	F	Allen Jr.,A	ME 13
	Class# 26502 meets 08/20/2019-10/15/2019					9:00-11:50AM	F	Allen Jr.,A	ME 13
24066	10:00-11:00AM	F	Lock,B	BC 20	WELD 54L - 2.0 UNITS ADVANCED PIPE WELDING				
	11:00- 1:50PM	F	Ward,D	BC 20	Not Transferable				
	Class# 24066 meets 08/23/2019-10/18/2019				Prerequisite: WELD 52 or equivalent with a grade of Pass or "C" or higher.				
25153	10:00-11:00AM	F	Lock,B	BC 20	NOTE: a material fee of \$100.00 is required for WELD 54L				
	11:00- 1:50PM	F	Walton,E	BC 20	27627	8:00- 2:25PM	Sat	Huerta,V	ME 13
	Class# 25153 meets 10/25/2019-12/20/2019				Class# 27627 meets 08/24/2019-12/14/2019				
TH 134 - 2.0 UNITS TECHNICAL PRODUCTION					WELD 56L - 2.0 UNITS ARC WELDING 6" PIPE CERTIFICATION LABORATORY				
Transferable to UC, CSU					Not Transferable				
24068	10:00-11:50AM	F	Lock,B	BC 20	Prerequisite: WELD 54L or equivalent with a grade of Pass or "C" or higher.				
	12:00- 1:50PM	F	Ward,D	BC 20	NOTE: a material fee of \$100.00 is required for WELD 56L				
	Class# 24068 meets 08/23/2019-10/18/2019				27628	8:00- 2:25PM	Sat	Huerta,V	ME 13
25155	10:00-11:50AM	F	Lock,B	BC 20	Class# 27628 meets 08/24/2019-12/14/2019				
	12:00- 1:50PM	F	Lock,B	BC 20	WELD 58L - 2.0 UNITS ARC WELDING 2" PIPE CERTIFICATION LABORATORY				
	Class# 25155 meets 10/25/2019-12/20/2019				Not Transferable				
TH 150 - 3.0 UNITS APPRECIATION AND HISTORY OF THE MOTION PICTURE					Prerequisite: WELD 56L or equivalent with a grade of Pass or "C" or higher.				
Transferable to UC, CSU					NOTE: a material fee of \$100.00 is required for WELD 58L				
23434	7:00-10:20PM	F	Campolo,R	(HYBRID) BC 47	28962	8:00- 2:25PM	Sat	Huerta,V	ME 13
20958	3.6 HRS ARR	(OL)	Campolo,R	ONLINE	Class# 28962 meets 08/24/2019-12/14/2019				
	Note: This is an ONLINE course – all instruction completed online. No In-person orientation. Please check CANVAS or instructor website for more information: http://www.cerritos.edu/rcampolo and directions for completion (instructor e-mail address: rcampolo@cerritos.edu).				WELD 59 - 4.0 UNITS BLUEPRINT READING FOR THE WELDING TRADES				
	Class# 20958 meets 09/09/2019-12/20/2019				Not Transferable				
21291	3.6 HRS ARR	(OL)	Campolo,R	ONLINE	Recommendation: WELD 100 or equivalent with a grade of Pass or "C" or higher or WELD 120 or equivalent with a grade of Pass or "C" or higher or WELD 130 or equivalent with a grade of Pass or "C" or higher.				
	Note: This is an ONLINE course – all instruction completed online. No In-person orientation. Please check CANVAS or instructor website for more information: http://www.cerritos.edu/rcampolo and directions for completion (instructor e-mail address: rcampolo@cerritos.edu).				23588	6:00- 9:50PM	T	Tait,M	ME 2
	Class# 21291 meets 09/09/2019-12/20/2019				27357	7:00-10:50AM	T	Nunez,J	ME 13
27974	7:00- 9:30PM	W	Campolo,R	(HYBRID) FA133	WELD 100 - 2.5 UNITS WELDING FUNDAMENTALS				
	Class# 27974 meets 08/21/2019-11/27/2019				Transferable to CSU				
TH 151 - 3.0 UNITS MOTION PICTURES, RADIO AND TELEVISION					NOTE: a material fee of \$100.00 is required for WELD 100				
Transferable to CSU					27362	8:00-10:00AM	F	Nunez,J	ME 13
20593	9:30-10:50AM	MW	Piotrowski,C	BC 47		10:00-11:50AM	F	Nunez,J	ME 13
22675	9:30-10:50AM	TTh	Piotrowski,C	BC 47	28228	10:30-12:45PM	Sat	Ty,H	ME 13
29087	8:00- 9:30AM	TTh	STAFF	BC 47		12:45- 2:50PM	Sat	Ty,H	ME 13
28514	6:00- 9:36PM	M	Piotrowski,C	BC 47	Class# 28228 meets 08/24/2019-12/14/2019				
	Class# 28514 meets 09/09/2019-12/16/2019				WELD 120 - 5.0 UNITS BEGINNING ARC WELDING				
21705	2:00- 5:20PM	W	Campolo,R	BC 47	Transferable to CSU				
	Class# 21705 meets 09/11/2019-12/18/2019				Recommendation: WELD 100 with a grade of Pass or "C" or higher or concurrent enrollment or appropriate work experience.				
TH 212 - 3.5 UNITS SCENE STUDY					NOTE: a material fee of \$100.00 is required for WELD 120				
Transferable to UC, CSU					20843	6:00- 8:00PM	MW	Figueroa,M	ME 13
Prerequisite: TH 110 or equivalent with a grade of Pass or "C" or higher.					25440	8:00- 9:50PM	MW	Figueroa,M	ME 13
29088	10:00-1:00PM	W	Reiter,B	BC 31		7:00- 9:00AM	MW	Foral,J	ME 13
	1:00- 3:00PM	W	Reiter,B	BC 31		9:00-10:50AM	MW	Foral,J	ME 13
	Class# 29088 meets 08/21/2019-11/27/2019				27040	7:00- 9:15AM	Sat	Stainbrook,F	ME 13
						5:00- 7:15PM	F	Stainbrook,F	ME 13
						9:15-11:15AM	Sat	Stainbrook,F	ME 13
						7:15- 9:15PM	F	Stainbrook,F	ME 13
					WELD 130 - 5.0 UNITS GAS TUNGSTEN ARC WELDING FUNDAMENTALS				
					Transferable to CSU				
					Recommendation: WELD 100 or WELD 120 or equivalent with a grade of Pass or "C" or higher or concurrent enrollment or appropriate work experience.				
					NOTE: a material fee of \$100.00 is required for WELD 130				
23587	7:00-10:50AM	Th	Nunez,J	ME 2	26338	7:00- 9:00AM	TTh	Foral,J	ME 13
27624	2:00- 5:50PM	T	Tait,M	ME 2		9:00-10:50AM	TTh	Foral,J	ME 13
					20844	6:00- 8:00PM	MW	Tait,M	ME 2G
						8:00- 9:50PM	MW	Tait,M	ME 2G

WELDING

WELD 49 - 4.0 UNITS WELDING SHOP MATH

Not Transferable
Recommendation: WELD 100 or equivalent with a grade of Pass or "C" or higher or WELD 120 or equivalent with a grade of Pass or "C" or higher or WELD 130 or equivalent with a grade of Pass or "C" or higher.
Please read the technical standards relevant to this department at <http://cms.cerritos.edu/technology/standards.htm>

23587	7:00-10:50AM	Th	Nunez,J	ME 2
27624	2:00- 5:50PM	T	Tait,M	ME 2

Students not in attendance or late for the first class are subject to drop.

Class#	Time	Day	Instructor	Room	Class#	Time	Day	Instructor	Room
WELD 200 - 4.0 UNITS INTERMEDIATE ARC WELDING Transferable to CSU Prerequisite: WELD 120 or equivalent with a grade of Pass or "C" or higher or appropriate work experience. NOTE: a material fee of \$100.00 is required for WELD 200					26452	2:00- 3:15PM	TTh	Youssef,M	SS310
20845	6:00- 7:00PM	TTh	Arvizo,D	ME 13	29108	11:00-12:15PM	TTh	Youssef,M	SS140
27358	7:00- 9:50PM	TTh	Arvizo,D	ME 13	WGS 103 - 3.0 UNITS WOMEN, THEIR BODIES AND HEALTH Transferable to UC, CSU 27138 9:30-10:45AM MW Gusman,E MC102 27430 6:30- 9:20PM TTh Acosta,P SS138 Class# 27430 meets 10/22/2019-12/19/2019				
	8:00-10:50AM	TTh	Allen Jr.,A	ME 13	WGS 105 - 3.0 UNITS GENDER STUDIES AND THE CHICANA/ LATINA EXPERIENCE Transferable to UC, CSU Prerequisite: Completion of ENGL 52, or ENGL 72, or ESL 152 or equivalent with a grade of "C" or higher, or "Pass," or completion of the English Placement Process with eligibility for ENGL 100. Recommendation: Completion of READ 54 or READ 97 with a grade of "C" or higher, or "Pass," or completion of the Reading Placement Process with a score of "Reading Exempt."				
WELD 210L - 2.0 UNITS ADVANCED ARC WELDING LABORATORY Transferable to CSU Prerequisite: WELD 200 or equivalent with a grade of Pass or "C" or higher. NOTE: a material fee of \$100.00 is required for WELD 210L					27754	5:00- 6:30PM	TTh	Acosta,P	SS138
20846	7:00- 9:50PM	MW	Nunez,J	ME 13	Class# 27754 meets 09/10/2019-12/19/2019 WGS 108 - 3.0 UNITS WOMEN IN SPORTS Transferable to UC, CSU 27286 3.0 HRS ARR (OL) Kozlowski,T ONLINE Note: Online registered students must go to the Canvas class webpage for mandatory online orientation information.				
25728	4:00- 6:50PM	MW	Nunez,J	ME 13	27400	6.0 HRS ARR (OL)	Kozlowski,T	ONLINE	
27944	8:00-10:50AM	MW	Allen Jr.,A	ME 13	Note: Online registered students must go to the Canvas class webpage for mandatory online orientation information. Class# 27400 meets 10/21/2019-12/20/2019				
WELD 212L - 2.0 UNITS SHIELDED METAL ARC WELDING (SMAW) CERTIFICATION LABORATORY Transferable to CSU Prerequisite: WELD 210L or equivalent with a grade of Pass or "C" or higher. NOTE: a material fee of \$100.00 is required for WELD 212L					WGS 115 - 3.0 UNITS GENDER, COMMUNICATION, AND THE DIGITAL REVOLUTION Transferable to UC, CSU Prerequisite: ENGL52,72,orESL152&READ 54or97ENGL 52 or ENGL 72, or ESL 152 or equivalent with a grade of "C" or higher or "Pass" and READ 54 or READ 97 or equivalent with a grade of "C" or higher or "Pass."				
23598	7:00- 9:50PM	MW	Nunez,J	ME 13	29110	9:30-11:00AM	TTh	Rosenfeld,K	SS211
25729	4:00- 6:50PM	MW	Nunez,J	ME 13	Class# 29110 meets 09/10/2019-12/19/2019 29109 6.0 HRS ARR (OL) Rosenfeld,K ONLINE Class# 29109 meets 08/19/2019-10/18/2019				
27945	8:00-10:50AM	MW	Allen Jr.,A	ME 13	28198	6.0 HRS ARR (OL)	Rosenfeld,K	ONLINE	
WELD 214L - 2.0 UNITS FLUX CORED ARC WELDING (FCAW) CERTIFICATION LABORATORY Transferable to CSU Prerequisite: WELD 210L or equivalent with a grade of Pass or "C" or higher. NOTE: a material fee of \$100.00 is required for WELD 214L					Class# 28198 meets 10/21/2019-12/20/2019 WGS 118 - 3.0 UNITS HISTORY OF WOMEN IN VISUAL ARTS Transferable to UC, CSU 29111 3.0 HRS ARR (OL) STAFF ONLINE 29436 4.5 HRS ARR (OL) Phillips,L ONLINE Class# 29436 meets 08/19/2019-11/08/2019				
24264	7:00- 9:50PM	MW	Nunez,J	ME 13	WGS 202 - 3.0 UNITS GENDER AND SOCIETY Transferable to UC, CSU 29112 3.0 HRS ARR Gregg,H ONLINE 24476 2:00- 3:30PM MW Holzgang,A (Women's Studies) SS140 Class# 24476 meets 09/09/2019-12/18/2019				
25730	4:00- 6:50PM	MW	Nunez,J	ME 13	27753	9:30-11:00AM	TTh	Holzgang,A	SS138
28963	8:00-10:50AM	MW	Allen Jr.,A	ME 13	Class# 27753 meets 09/10/2019-12/19/2019 WGS 204 - 3.0 UNITS WOMEN IN AMERICAN HISTORY Transferable to UC, CSU 26383 12:30- 1:45PM MW Davis,J (Women's Studies) SS309				
WELD 240L - 2.0 UNITS INTERMEDIATE GAS TUNGSTEN ARC WELDING LABORATORY Transferable to CSU Prerequisite: WELD 130 or equivalent with a grade of Pass or "C" or higher. NOTE: a material fee of \$100.00 is required for WELD 240L					WGS 207 - 3.0 UNITS WOMEN AND MEDIA Transferable to UC, CSU Prerequisite: Completion of ENGL 52, or ENGL 72 or ESL 152 or equivalent with a grade of "C" or higher, or "Pass," or completion of the English Placement Process with eligibility for ENGL 100.				
23610	5:30- 8:20PM	TTh	Perkins,D	ME 13	29113	12:30- 4:50PM	Th	Trager,J (Honors Section)	FA134
24265	7:00- 1:25PM	Sat	Perkins,D	ME 13	Class# 29113 meets 08/22/2019-11/07/2019 WGS 208 - 3.0 UNITS LEADERSHIP FOR WOMEN IN BUSINESS Transferable to CSU 26384 3.6 HRS ARR Livingston,B (Women's Studies) ONLINE Orientation: All class information is available in Canvas at https://cerritos.instructure.com/login/canvas Class# 26384 meets 08/19/2019-11/29/2019				
Class# 24265 meets 08/24/2019-12/14/2019 WELD 250L - 2.0 UNITS ADVANCED GAS TUNGSTEN ARC WELDING LAB Transferable to CSU Prerequisite: WELD 240L or equivalent with a grade of Pass or "C" or higher. NOTE: a material fee of \$100.00 is required for WELD 250L					26385 3.6 HRS ARR Livingston,B (Women's Studies) ONLINE Orientation: All class information is available in Canvas at https://cerritos.instructure.com/login/canvas Class# 26385 meets 08/19/2019-11/29/2019				
20848	5:30- 8:20PM	TTh	Perkins,D	ME 13					
24266	7:00- 1:25PM	Sat	Perkins,D	ME 13	Class# 24266 meets 08/24/2019-12/14/2019				
WELD 260L - 2.0 UNITS GAS TUNGSTEN ARC WELDING (GTAW) AEROSPACE CERTIFICATION LABO Transferable to CSU Prerequisite: WELD 250L or equivalent with a grade of Pass or "C" or higher. NOTE: a material fee of \$100.00 is required for WELD 260L									
23674	5:30- 8:20PM	TTh	Perkins,D	ME 13					
24267	7:00- 1:25PM	Sat	Perkins,D	ME 13	Class# 24267 meets 08/24/2019-12/14/2019				

WOMEN'S AND GENDER STUDIES

WGS 101 - 3.0 UNITS ISSUES FOR WOMEN IN AMERICAN SOCIETY Transferable to UC, CSU Prerequisite: Completion of ENGL 52, or ENGL 72, or ESL 152 or equivalent with a grade of "C" or higher, or "Pass," or completion of the English Placement Process with eligibility for ENGL 100.				
20606	3.0 HRS ARR (OL)		Fagundes,M	ONLINE
25739	11:00-12:15PM	TTh	Gregg,H	SS307
WGS 102 - 3.0 UNITS WOMEN AND RELIGION Transferable to UC, CSU Prerequisite: Completion of ENGL 52, or ENGL 72, or ESL 152 or equivalent with a grade of "C" or higher, or "Pass," or completion of the English Placement Process with eligibility for ENGL 100.				

Students not in attendance or late for the first class are subject to drop.

Class#	Time	Day	Instructor	Room	Class#	Time	Day	Instructor	Room
--------	------	-----	------------	------	--------	------	-----	------------	------

26386 6.0 HRS ARR Livingston,B (Women's Studies) ONLINE
 Orientation: All class information is available in Canvas at <https://cerritos.instructure.com/login/canvas>
 Class# 26386 meets 10/21/2019-12/20/2019

WOODWORKING MANUFACTURING TECHNOLOGY

WMT 101 - 3.0 UNITS INTRODUCTION TO WOODWORKING
 Transferable to CSU
 NOTE: a material fee of \$20.00 is required for WMT 101
 Please read the technical standards relevant to this department at <http://cms.cerritos.edu/technology/standards.htm>

20602	7:30-10:00AM	W	Fortner,A	WD 14
	10:00-11:50AM	W	Fortner,A	WD 14
22243	11:30-2:00PM	F	Foat,R	WD 14
	2:00-3:50PM	F	Foat,R	WD 14
20849	5:30-8:00PM	F	Sanchez,C	WD 14
	8:00-9:50PM	F	Sanchez,C	WD 14
28964	8:00-10:48AM	Sat	Hernandez,B	WD 14
	10:48-12:50PM	Sat	Hernandez,B	WD 14

Class# 28964 meets 08/24/2019-12/14/2019

WMT 102 - 4.0 UNITS INTRODUCTION TO SOLID WOOD CASEGOODS
 Transferable to CSU
 Prerequisite: Completion of WMT 101 with a grade of "C" or higher or "Pass."
 NOTE: a material fee of \$20.00 is required for WMT 102

21278	1:00-2:15PM	MW	Fortner,A	WD 14
	2:15-4:50PM	MW	Fortner,A	WD 14
29265	6:00-7:15PM	TTh	Ouwehand,M	WD 14
	7:15-9:50PM	TTh	Ouwehand,M	WD 14

WMT 102L - 2.5 UNITS CASEGOOD MANUFACTURING LAB
 Transferable to CSU
 Prerequisite: WMT 102 or equivalent with a grade of "C" or higher or "Pass."
 NOTE: a material fee of \$10.00 is required for WMT 102L

24274	1:00-4:50PM	MW	Fortner,A	WD 14
29267	6:00-9:50PM	TTh	Ouwehand,M	WD 14

WMT 103 - 4.0 UNITS INTRODUCTION TO TABLES
 Transferable to CSU
 Prerequisite: Completion of WMT 101 with a grade of "C" or higher or "Pass."
 NOTE: a material fee of \$20.00 is required for WMT 103

20850	7:00-8:15AM	TTh	Fortner,A	WD 14
	8:15-10:50AM	TTh	Fortner,A	WD 14

WMT 103L - 2.5 UNITS TABLE MANUFACTURING LAB
 Transferable to CSU
 Prerequisite: WMT 103 or equivalent with a grade of "C" or higher or "Pass."
 NOTE: a material fee of \$10.00 is required for WMT 103L

24275	7:00-10:50AM	TTh	Fortner,A	WD 14
-------	--------------	-----	-----------	-------

WMT 107 - 3.0 UNITS WOOD FINISHING
 Transferable to CSU
 NOTE: a material fee of \$20.00 is required for WMT 107

22250	11:00-1:00PM	F	Miller,B	WD 12
	1:00-4:50PM	F	Miller,B	WD 12

WMT 111L - 1.0 UNIT INTRODUCTION TO WOODWORKING LAB
 Transferable to CSU
 Prerequisite: Completion of WMT 101 with a grade of "C" or higher or "Pass."
 NOTE: a material fee of \$20.00 is required for WMT 111L

26154	9:00-11:50AM	W	Fortner,A	WD 14
22241	7:00-9:50PM	F	Sanchez,C	WD 14
27042	1:00-3:50PM	F	Foat,R	WD 14
28966	9:30-12:40PM	Sat	Hernandez,B	WD 14
28970	9:00-11:50AM	W	Stammerjohn,C	WD 13

WMT 118 - 2.0 UNITS INTRODUCTION TO WOODTURNING
 Transferable to CSU
 Recommendation: WMT 101 and WMT 102 or WMT 103 or equivalent with grades of Pass or "C" or higher.
 NOTE: a material fee of \$20.00 is required for WMT 118

22400	6:00-7:00PM	Th	Hogan,D	WD 12
	7:00-9:50PM	Th	Hogan,D	WD 12

WMT 119L - 1.0 UNIT INTRODUCTION TO WOODTURNING LAB
 Transferable to CSU
 Prerequisite: WMT 118 or equivalent with a grade of Pass or "C" or higher.
 NOTE: a material fee of \$10.00 is required for WMT 119L

22402	6:00-9:50PM	Th	Hogan,D	WD 12
--------------	--------------------	-----------	---------	-------

WMT 123 - 4.0 UNITS DECORATIVE BOXES
 Transferable to CSU
 Prerequisite: WMT 102 or WMT 103 or equivalent with a grade of Pass or "C" or higher.
 NOTE: a material fee of \$20.00 is required for WMT 123

28971	8:00-10:30AM	F	Thornbury,R	WD 13
	10:30-3:50PM	F	Thornbury,R	WD 13

WMT 135 - 4.0 UNITS WINDSOR CHAIR
 Transferable to CSU
 Recommendation: WMT 101 or equivalent with a grade of "C" or higher or "Pass."

29415	8:00-10:50AM	Sat	Trimble,W	WD 13
	10:50-4:50PM	Sat	Trimble,W	WD 13

Class# 29415 meets 08/24/2019-12/14/2019

WMT 135L - 2.5 UNITS WINDSOR CHAIR LAB
 Transferable to CSU

29417	8:00-4:50PM	Sat	Trimble,W	WD 13
-------	-------------	-----	-----------	-------

Class# 29417 meets 08/24/2019-12/14/2019

WMT 151 - 4.0 UNITS INTRODUCTION TO FACEFRAME CABINETMAKING
 Transferable to CSU
 NOTE: a material fee of \$20.00 is required for WMT 151

21115	7:15-9:50PM	MW	Krause,P	WD 15
21470	6:00-7:15PM	MW	Krause,P	WD 15

WMT 182 - 4.0 UNITS ALPHACAM AND THE CNC ROUTER
 Transferable to CSU

28029	1:00-2:15PM	TTh	Foat,R	WD 1
	2:15-4:50PM	TTh	Foat,R	WD 1

WMT 182L - 2.5 UNITS CNC WOODWORKING LAB
 Transferable to CSU
 Prerequisite: WMT 182 with a grade of "C" or higher or "Pass."

28023	1:00-4:50PM	TTh	Foat,R	WD 1
-------	-------------	-----	--------	------

WMT 183 - 3.0 UNITS SKETCHUP FOR WOODWORKERS
 Transferable to CSU
 Prerequisite: Completion of WMT 102 or WMT 103, or WMT 151 or equivalent with a grade of "C" or higher or "Pass."
 NOTE: a material fee of \$5.00 is required for WMT 183

27633	6:00-9:00PM	M	Stammerjohn,C	WD 1
	9:00-9:50PM	M	Stammerjohn,C	WD 1

WMT 201 - 4.0 UNITS WOODWORKING WITH HAND TOOLS
 Transferable to CSU
 NOTE: a material fee of \$10.00 is required for WMT 201

25457	1:00-2:15PM	TTh	Stammerjohn,C	WD 13
	2:15-4:50PM	TTh	Stammerjohn,C	WD 13

WMT 205 - 4.0 UNITS VENEERING AND MARQUETRY
 Transferable to CSU
 Prerequisite: WMT 102 and WMT 103 or equivalent with a grade of "C" or higher or "Pass."

28973	1:00-2:15PM	MW	Stammerjohn,C	WD 13
	2:15-4:50PM	MW	Stammerjohn,C	WD 13

WMT 224 - 2.0 UNITS ADVANCED HANDTOOLS - DOVETAILS
 Transferable to CSU
 Prerequisite: Completion of WMT 201 or equivalent with a grade of "C" or higher, or "Pass", and completion of WMT 101 or WMT 151 or equivalent with a grade of "C" or higher or "Pass."
 NOTE: a material fee of \$10.00 is required for WMT 224

28975	8:00-9:00AM	W	Stammerjohn,C	WD 13
	9:00-11:50AM	W	Stammerjohn,C	WD 13

WMT 229L - 2.5 UNITS COMPREHENSIVE WOODWORKING MANUFACTURING SPECIALTY
 Transferable to CSU
 Prerequisite: WMT 151 or WMT 153 or WMT 102 or WMT 103 or equivalent with a grade of Pass or "C" or higher.
 NOTE: a material fee of \$20.00 is required for WMT 229L

26343	6:00-9:50PM	MW	Foat,R	WD 14
--------------	--------------------	-----------	--------	-------

Students not in attendance or late for the first class are subject to drop.

Class#	Time	Day	Instructor	Room	Class#	Time	Day	Instructor	Room
WMT 245 - 4.0 UNITS CURVED AND TAPERED FORMS FOR FURNITURE									
Transferable to CSU									
Prerequisite: WMT 102 and WMT 103 or equivalent with a grade of "C" or higher or "Pass."									
27642	6:00- 7:15PM	MW	Foat,R						WD 14
	7:15- 9:50PM	MW	Foat,R						WD 14
WMT 249L - 2.5 UNITS FURNITURE MANUFACTURING SPECIALTY									
Transferable to CSU									
Prerequisite: WMT 102 or WMT 103 or equivalent with a grade of Pass or "C" or higher.									
NOTE: a material fee of \$20.00 is required for WMT 249L									
25657	1:00- 4:50PM	MW	Stammerjohn,C						WD 13
27644	8:00- 3:50PM	F	Thornbury,R						WD 14
WMT 250 - 4.0 UNITS INTERMEDIATE FACEFRAME CABINETMAKING									
Transferable to CSU									
Prerequisite: Completion of WMT 151 or equivalent with a grade of "C" or higher or "Pass."									
NOTE: a material fee of \$20.00 is required for WMT 250									
28967	6:00- 7:15PM	TTh	Koford,B						WD 15
	7:15- 9:50PM	TTh	Koford,B						WD 15
WMT 269L - 2.5 UNITS CABINETMAKING MANUFACTURING SPECIALTY									
Transferable to CSU									
Prerequisite: WMT 151 or WMT 153 or equivalent with a grade of Pass or "C" or higher.									
NOTE: a material fee of \$20.00 is required for WMT 269L									
26832	6:00- 9:50PM	TTh	Koford,B						WD 15
28969	6:00- 9:50PM	MW	Krause,P						WD 15

ZOOLOGY

ZOOL 120 - 4.0 UNITS INTRODUCTION TO ANIMAL BIOLOGY									
Transferable to UC, CSU									
Prerequisite: ENGL 52 or ENGL 72 or ESL 152 or equivalent with a grade of "C" or higher or "Pass" or completion of the English placement process with a score eligible for ENGL 100.									
20608	12:30- 1:15PM	TTh	Blacquiere,L						S 127
	2:00- 4:50PM	TTh	Blacquiere,L						S 127

SHORT TERM CLASSES

Class#	Course	Description	Class#	Course	Description
1ST SIX WEEKS: 08/19/2019-09/27/2019					
29418	DA 86	Clinical Experience in a Ortho	25533	MTT 56	CNC Shop Inspection
29278	COUN 101B	Educational Planning	22443	PSYC 101	General Introductory Psyc
20944	HO 53	Electrocardiography	27931	PSYC 101	General Introductory Psyc
			29103	PSYC 101	General Introductory Psyc
			25632	SPCH 110	Intercultural Communication
			29249	SPCH 115	Gender,Comm,&DigitalRevolution
			27416	TH 101	Intro to the Theatre
			29109	WGS 115	Gender,Comm,&the Digital Revol
			26971	ESL 120	Prep For Col Writing-NonEngl
			23600	MTT 68	Computer-Assisted Inspection
			27128	COS 53	Adv Cosmet Manipulation
			20786	PHYS 201	Engineering Physics
			28947	AUTO 73	Auto Occupational Work Exp
			21405	NRSNG 251	Bas Adult Physical Assessment
			20887	SPCH 100	Fundamentals Oral Comm
			28936	AB 80	Autobody Customer Service
			20942	AUTO 73	Auto Occupational Work Exp
			20890	CA 101	Intro/Food Serv Safety-San
			25517	CA 55	FundOfResponsibleAlcoholServ
			27964	COUN 101B	Educational Planning
			27965	COUN 101B	Educational Planning
			27966	COUN 101B	Educational Planning
			27967	COUN 101B	Educational Planning
			27968	COUN 101B	Educational Planning
			27969	COUN 101B	Educational Planning
			27971	COUN 101B	Educational Planning
			29419	COUN 101C	Navigating the Transfer Proces
			23662	PHAR 55	Pharmacy Introduction
			23665	PHAR 56	Pharmacy Skills Lab Intro
			22194	PTA 129	PT Aging and Integumentary
			26502	TH 133	Stage Crew Activity
			27972	COUN 101B	Educational Planning
			20892	HO 55	Phlebotomy Procedures
			20894	HO 56	Medication Calculations
			29075	NRSNG 48T	Elective Nursing - Tutorial
			23669	PHAR 57	Pharmacy Operations I
			29253	SPCH 130	Fund of Public Speaking
			24660	KIN 134	Theory of Football
			20910	NRSNG 211	Intr Theoretical Framework
			21404	NRSNG 213B	Major Drugs and Nursing II
			25135	TH 130	R & P For Minor Roles
			25139	TH 131	R & P For Supporting Roles
			25131	TH 132	R & P For Lead Roles
			24066	TH 133	Stage Crew Activity
			24068	TH 134	Technical Production
			28147	ACLR 101	Increasing YourAccessPotential
			29077	ART 109	Gender and Sexuality In Art
			28986	ASTR 102	Intro Astron Stars Univrse
			27011	ECON 201	Principles of Macroeconomics
			27013	ECON 201M	Principles of Macroeconomics
			22293	EDT 110	Intro To Ed Technology
			22452	ENGL 100	Freshman Composition
			29295	HED 100	Contemp Health Problems
			22143	HIST 102	Political & Social Hist-U.S.
			28036	HUM 100	The Art of Being Human
			29080	HUM 109	Gender and Sexuality In Art
			29364	MATH 80	Intermediate Algebra
			22128	MUS 104B	History of Rock Music
			29312	PEX 106	Adapted Aquatic Exercise
			29338	PEX 188	Tennis, Introduction
			29340	PEX 189	Tennis, Beginning
			27124	PMT 51	Composites Fabrication
			28932	AB 66	Lettering, Striping and Design
			29422	ART 109	Gender and Sexuality In Art
			28153	ASL 215	Beg Interpreting & Ethics 1
			29071	CDEC 62	Creativity/Pre-School Chld
			24115	ENGL 100	Freshman Composition
			29219	ESL 12	ESL Pronunciation
			29433	HUM 109	Gender and Sexuality In Art
			25559	PEX 105	Adapted Swimming
			28205	PEX 106	Adapted Aquatic Exercise
			26254	PEX 116	Water Aerobics
			20616	AB 51	Non-Structural Repair
			29257	AB 61	Prep And Spot Refinishing
			24674	ATH 205LA	Basketball, Women, Off Season
1ST NINE WEEKS: 08/19/2019-10/18/2019					
21945	ACCT 60	Quickbooks Accounting			
21950	ACCT 61	Turbo Tax Accounting			
23870	ANTH 115	Physical Anthropology			
28217	ART 100	Introduction to World Art			
26210	BA 100	Fundamentals of Business			
27445	BA 100	Fundamentals of Business			
22849	BA 101	International Business			
26992	BA 104	Managing Cultural Diversity			
24099	BA 106	Human Resource Management			
26047	BA 106	Human Resource Management			
26997	BA 106	Human Resource Management			
23570	BA 107	Human Relations In Bus			
23571	BA 107	Human Relations In Bus			
23770	BA 107	Human Relations In Bus			
24420	BA 107	Human Relations In Bus			
26749	BA 107	Human Relations In Bus			
29447	BA 107	Human Relations In Bus			
27767	BA 109	Human Resource Development			
27421	BA 110	Advertising			
20098	BA 114	Marketing			
22124	BA 114	Marketing			
22854	BA 114	Marketing			
27424	BA 114	Marketing			
27447	BA 114	Marketing			
20651	BA 115	Management-Business			
23573	BA 115	Management-Business			
24985	BA 115	Management-Business			
27426	BA 115	Management-Business			
26215	BA 118	Retail Management			
25590	BA 120	Mgmt-Act & Internal Contrl			
26216	BA 120	Mgmt-Act & Internal Contrl			
22553	BA 132	Computer Applications/Mgrs			
22554	BA 132	Computer Applications/Mgrs			
26545	BA 132	Computer Applications/Mgrs			
21774	BA 153	Small Business Management			
22287	BA 156	Motivational Skills/Mgrs			
23771	BA 156	Motivational Skills/Mgrs			
23586	BA 205	Organizational Leadership			
21346	BCOT 62	Computer Keyboarding			
21488	BCOT 63	Keyboarding Speed/Control			
29114	BCOT 96	Microsoft PowerPoint			
20673	CIS 101	Intro Computer Info Sysms			
24307	CIS 170A	Networking Fundamentals			
29359	CIS 58A	PC Operating System A+ Cert			
22217	COS 60A	Intro Cosmetology I			
22221	COS 61A	Intermed Cosmetology I			
22225	COS 62A	Advanced Cosmetology I			
22306	COUN 200	Success College and Career			
22679	DANC 100	Dance Appreciation			
27555	DANC 100	Dance Appreciation			
28158	DANC 100	Dance Appreciation			
28735	DANC 100	Dance Appreciation			
29100	EDT 116	Information Literacy for Ed			
29099	EDT 50	Prep for Online Learning			
21781	ENGL 100	Freshman Composition			
22346	ENGL 100	Freshman Composition			
21474	ENGL 103	Critical/Argumentative Wrt			
26136	ENGT 117	Geometrical Tolerancing			
25626	ESL 11	ESL Reading 1			
23821	GEOG 102	Cultural Geography			
20257	HED 100	Contemp Health Problems			
24493	HED 100	Contemp Health Problems			
25072	HED 100	Contemp Health Problems			
29296	HED 105	Mind, Body, and Health			
29297	HED 202	Health Systems & Perspectives			

Complete class listings, including days, times, and prerequisites, are located on pages 31-96

SHORT TERM CLASSES

Class#	Course	Description	Class#	Course	Description
21375	AUTO 151	Auto Alignment Brake/Suspn	27252	ECON 201	Principles of Macroeconomics
21292	AUTO 161	Automotive Electricity	27254	ECON 201M	Principles of Macroeconomics
27603	AUTO 181	Elec Engine Management Sys	26791	ECON 101	Econ Issues and Policy
29368	MATH 112	Elementary Statistics	26176	ART 191A	3d Computer Animation
29377	MATH 112	Elementary Statistics	26178	ART 191B	3d Computer Animation Proj
29378	MATH 112	Elementary Statistics	21335	ART 193	Motion Picture Editing
29032	MATH 114	College Algebra	25732	ART 194A	Advanced Final Cut Pro
29395	MATH 114	College Algebra	24440	ECON 201M	Principles of Macroeconomics
29397	MATH 114	College Algebra	ECON 202	Principles of Microeconomics	
29405	MATH 140	Trigonometry	ECON 202M	Principles of Microeconomics	
20281	MATH 40	Prealgebra	27136	ECON 202M	Principles of Microeconomics
20905	MATH 40	Prealgebra	27696	TH 110	Fundamentals of Acting
20295	MATH 60	Elementary Algebra			
20316	MATH 80	Intermediate Algebra			
22843	MATH 80	Intermediate Algebra			
26473	MATH 80	Intermediate Algebra			
29366	MATH 80	Intermediate Algebra			
20861	NRSRG 210	Fundamentals of Nursing	26870	CHEM 95A	Tutoring for CHEM100-IntroChem
20862	NRSRG 210	Fundamentals of Nursing	26872	CHEM 95B	Tutoring for CHEM 110-ElemChem
20863	NRSRG 210	Fundamentals of Nursing	26874	CHEM 95C	Tutoring for CHEM 111-General
20865	NRSRG 210	Fundamentals of Nursing	26876	CHEM 95D	Tutoring for CHEM 112-General
27689	NRSRG 210	Fundamentals of Nursing	27313	CHEM 95E	Tutoring for CHEM 211-Organic
20869	NRSRG 220	Medical-Surgical Nursing 3	27314	CHEM 95F	Tutoring for CHEM 212-Organic
20870	NRSRG 220	Medical-Surgical Nursing 3	23691	NRSRG 57LA	Beginning Nursing Skills Lab
24202	NRSRG 220	Medical-Surgical Nursing 3	23692	NRSRG 57LB	Inter Nursing Skills Lab
25520	NRSRG 220	Medical-Surgical Nursing 3	23693	NRSRG 57LC	Adv/Inter Nursing Skills Lab
29076	NRSRG 220	Medical-Surgical Nursing 3	23694	NRSRG 57LD	Advanced Nursing Skills Lab
20873	NRSRG 230	Psychosocial-Community Nsg	27190	SPCH 231	Forensics Activity
20874	NRSRG 230	Psychosocial-Community Nsg	27191	SPCH 232	Forensics Activity
20875	NRSRG 230	Psychosocial-Community Nsg	27192	SPCH 233	Forensics Activity
20876	NRSRG 230	Psychosocial-Community Nsg			
20877	NRSRG 230	Psychosocial-Community Nsg			
20879	NRSRG 240	Medical-Surgical Nursing 5			
20880	NRSRG 240	Medical-Surgical Nursing 5			
20881	NRSRG 240	Medical-Surgical Nursing 5			
22122	NRSRG 240	Medical-Surgical Nursing 5			
25521	NRSRG 240	Medical-Surgical Nursing 5			

OPEN ENTRY/OPEN EXIT: 08/19/2019-12/20/2019		
26870	CHEM 95A	Tutoring for CHEM100-IntroChem
26872	CHEM 95B	Tutoring for CHEM 110-ElemChem
26874	CHEM 95C	Tutoring for CHEM 111-General
26876	CHEM 95D	Tutoring for CHEM 112-General
27313	CHEM 95E	Tutoring for CHEM 211-Organic
27314	CHEM 95F	Tutoring for CHEM 212-Organic
23691	NRSRG 57LA	Beginning Nursing Skills Lab
23692	NRSRG 57LB	Inter Nursing Skills Lab
23693	NRSRG 57LC	Adv/Inter Nursing Skills Lab
23694	NRSRG 57LD	Advanced Nursing Skills Lab
27190	SPCH 231	Forensics Activity
27191	SPCH 232	Forensics Activity
27192	SPCH 233	Forensics Activity

2ND FIFTEEN WEEKS: 09/09/2019-12/20/2019		
221911	ACCT 100	Introduction to Accounting
21938	ACCT 133	Spreadsheet Accounting I
28138	ACCT 220	Accounting Ethics
29090	ACCT 250	Income Tax Accounting
27768	ACCT 270	Fundamentals Of Auditing
21772	BA 100	Fundamentals of Business
28277	BA 109	Human Resource Development
25589	BA 113	Legal Environment of Business
26212	BA 113	Legal Environment of Business
22661	BA 157	Principles of Public Relations
25596	BCOT 113	Microsoft Excel
25602	BCOT 150	International Bus Comm
26881	CIS 101	Intro Computer Info Systems
26906	CIS 101	Intro Computer Info Systems
25183	CIS 103	Computer Programming Logic
28997	CIS 151	Microsoft Excel for IS/IT
29001	CIS 170I	Cisco Network Security
28282	CIS 212	Intro to Windows Admin
28737	CIS 213F	Ms Windows Server Admin
24231	COS 54	Intro Esthetician
29123	EDEL 100	Introduction To Teaching
23466	ENGL 100	Freshman Composition
28236	ENGL 100	Freshman Composition
28817	ENGL 100	Freshman Composition
23479	ESL 14	Pronunciation Plus
28008	ESL 21B	ESL Advanced Vocabulary
28917	FILM 299	Directed Studies
21956	FIN 125	Personal Finance
27371	FIN 125	Personal Finance
27442	FIN 125	Personal Finance
28284	FIN 125	Personal Finance
24461	HIST 103	Political & Social Hist-U.S.
24462	HIST 103	Political & Social Hist-U.S.
21986	LAW 111	Business Law
23994	POL 101	American Political Institution
21971	RE 101	Real Estate Principles
29247	SPCH 100	Fundamentals Oral Comm
20958	TH 150	App & Hist Motion Picture
21291	TH 150	App & Hist Motion Picture
20803	PSYC 150	Pers & Soc Adjustment

1ST TWELVE WEEKS: 08/19/2019-11/08/2019		
27690	ART 118	History of Women in Visual Art
29436	WGS 118	History of Women in Visual Art
23421	HUM 100	The Art of Being Human
23433	TH 101	Intro to the Theatre
29079	ART 207	Women and Media
29113	WGS 207	Women and Media

1ST FIFTEEN WEEKS: 08/19/2019-11/29/2019		
22534	ART 101	Art History I
26174	ART 102	Art History II
26054	BA 100	Fundamentals of Business
26993	BA 104	Managing Cultural Diversity
29094	BA 106	Human Resource Management
25588	BA 107	Human Relations In Bus
21773	BA 113	Legal Environment of Business
22851	BA 113	Legal Environment of Business
22551	BA 120	Mgmt-Act & Internal Contrl
29098	BA 124	Fundamentals of Training
25592	BA 156	Motivational Skills/Mgrs
23585	BA 204	Project Management
22549	BA 208	Leadership for Women in Bus
25738	BA 208	Leadership for Women in Bus
24311	CIS 170B	Network + Certification
27607	COS 54A	Advanced Esthetician
28177	KIN 298	Directed Studies
26384	WGS 208	Leadership for Women in Bus
26385	WGS 208	Leadership for Women in Bus
27974	TH 150	App & Hist Motion Picture
29088	TH 212	Scene Study

Complete class listings, including days, times, and prerequisites, are located on pages 31-96

SHORT TERM CLASSES

Class#	Course	Description	Class#	Course	Description
2ND SIX WEEKS: 02/21/2017 – 04/07/2017					
26110	RE 52	Mortg Loan Brokering/Lending	23685	COUN 101B	Educational Planning
28515	RTV 151	Motion Pictures/Radio & TV	20903	HO 54	Medical Laboratory Skills
26093	SLP 241	Clinical Experience I	29277	COUN 101A	Orientation to College
28514	TH 151	Motion Pictures/Radio & TV	23681	COUN 101A	Orientation to College
25664	BA 113	Legal Environment of Business	23687	COUN 101B	Educational Planning
27000	RE 151	Fundamentals Of Escrow	20866	NRSG 213A	Major Drugs and Nursing I
21948	ACCT 100	Introduction to Accounting			
24408	ACCT 100	Introduction to Accounting			
21937	ACCT 131	Computerized Accounting - IBM			
21425	EDEL 100	Introduction To Teaching			
28959	MTT 110	IndustrialMaintenanceofMachine			
24431	RE 157	Real Estate Investments			
21704	RTV 151	Motion Pictures/Radio & TV			
21705	TH 151	Motion Pictures/Radio & TV			
22533	ART 100	Introduction to World Art			
26098	TH 101	Intro to the Theatre			
21426	ART 156L	Ceramics Lab			
23435	FILM 241	Screenwriting			
21316	HED 100	Contemp Health Problems			
27711	KIN 211	Sport Management			
21332	ANTH 115	Physical Anthropology			
26408	ENGL 103	Critical/Argumentative Wrt			
20221	ENGL 246A	Survey of Brit Lit A:Anglo-Sax			
24237	ENGT 103	Intro to Engt Design Using Inv			
23699	ESL 120	Prep For Col Writing-NonEngl			
27913	ESL 152	IntroCol Comp Non-Native Engl			
22678	ESL 3	ESL Grammar, Read, & Writing 3			
26023	ESL 4	ESL Grammar, Reading & Writing			
29385	MATH 112	Elementary Statistics			
29386	MATH 112	Elementary Statistics			
22300	MATH 114	College Algebra			
29400	MATH 114	College Algebra			
28409	MATH 140	Trigonometry			
20730	MATH 70	Plane Geometry			
23789	POL 101	American Political Institution			
23790	POL 101	American Political Institution			
22310	SOC 202	Gender and Society			
26988	SPCH 235	Fund Argumentation & Pers			
27754	WGS 105	GenderStudies&Chicana/LatinaEx			
24476	WGS 202	Gender and Society			
25200	ACCT 100	Introduction to Accounting			
21337	ART 156L	Ceramics Lab			
27419	BA 101	International Business			
25668	BCOT 247	Managerial Business Comm			
25481	ENGL 228	Shakespeare's Plays			
29218	ENGL 236	Studies in Women's Literature			
20694	ENGL 248A	Masterpieces of World Lit			
26970	ESL 10	ESL Speaking & Listening 1			
29221	ESL 120	Prep For Col Writing-NonEngl			
25488	ESL 152	IntroCol Comp Non-Native Engl			
25228	ESL 5	Grammar, Reading, & Writing 5			
26764	HIST 102	Political & Social Hist-U.S.			
27272	HIST 110	African/American History			
29124	HIST 260	Survey of the History of Asia			
29299	KIN 130	Theory of Coaching			
28736	MATH 112	Elementary Statistics			
29387	MATH 112	Elementary Statistics			
29388	MATH 112	Elementary Statistics			
29406	MATH 140	Trigonometry			
29231	READ 54	Advanced College Reading			
24480	SOC 101	Intro Sociology-Principles			
27750	SOC 202	Gender and Society			
26209	SOC 205	Intro to Soc Research Methods			
26984	SPCH 100	Fundamentals Oral Comm			
27439	SPCH 100	Fundamentals Oral Comm			
25057	SPCH 110	Intercultural Communication			
29248	SPCH 115	Gender,Comm,&DigitalRevolution			
28407	SPCH 130	Fund of Public Speaking			
29110	WGS 115	Gender,Comm,&the Digital Revol			
27753	WGS 202	Gender and Society			
28770	TH 123	Stage Make-Up			
27455	ENGL 100	Freshman Composition			
27453	ENGL 72	Intro College Writing&Reasonin			
28275	ENGL 72	Intro College Writing&Reasonin			
28701	ENGL 100	Freshman Composition			
			221951	ACCT 61	Turbo Tax Accounting
			29092	ANTH 115	Physical Anthropology
			24673	ATH 204L	Basketball, Women
			20646	BA 100	Fundamentals of Business
			25586	BA 100	Fundamentals of Business
			26211	BA 100	Fundamentals of Business
			25354	BA 101	International Business
			21790	BA 104	Managing Cultural Diversity
			22123	BA 106	Human Resource Management
			23569	BA 106	Human Resource Management
			26781	BA 106	Human Resource Management
			27142	BA 106	Human Resource Management
			26086	BA 107	Human Relations In Bus
			27420	BA 107	Human Relations In Bus
			28769	BA 107	Human Relations In Bus
			27766	BA 108	Labor Management Relations
			27422	BA 113	Legal Environment of Business
			20650	BA 114	Marketing
			26050	BA 114	Marketing
			27761	BA 114	Marketing
			22063	BA 115	Management-Business
			23574	BA 115	Management-Business
			24421	BA 115	Management-Business
			27448	BA 115	Management-Business
			22852	BA 118	Retail Management
			24412	BA 118	Retail Management
			27762	BA 118	Retail Management
			29095	BA 118	Retail Management
			29096	BA 118	Retail Management
			26218	BA 120	Mgmt-Act & Internal Contrl
			27763	BA 120	Mgmt-Act & Internal Contrl
			20099	BA 121	Sales
			28285	BA 121	Sales
			25158	BA 132	Computer Applications/Mgrs
			27764	BA 132	Computer Applications/Mgrs
			27765	BA 132	Computer Applications/Mgrs
			29448	BA 132	Computer Applications/Mgrs
			27285	BA 152	Fund Importing/Exporting
			27427	BA 153	Small Business Management
			26055	BA 155	Intro Global Logistics
			26737	BA 156	Motivational Skills/Mgrs
			27145	BA 156	Motivational Skills/Mgrs
			29097	BA 156	Motivational Skills/Mgrs
			26221	BA 208	Leadership for Women in Bus
			27006	BCOT 152	Job Search/Business Field
			22856	BCOT 60	Customer Serv/Telephone Tech
			27728	BCOT 63	Keyboarding Speed/Control
			21350	BCOT 97	Microsoft Outlook
			22332	CIS 101	Intro Computer Info Systms
			22694	CIS 101	Intro Computer Info Systms
			23989	CIS 101	Intro Computer Info Systms
			25188	CIS 101	Intro Computer Info Systms
			25378	CIS 101	Intro Computer Info Systms
			26788	CIS 101	Intro Computer Info Systms
			26367	CIS 170H	TCP/IP Fundamentals
			29361	CIS 58B	PC Core Hardware A+ Cert
			22219	COS 60B	Intro Cosmetology II
			22223	COS 61B	Intermed Cosmetology II
			22227	COS 62B	Advanced Cosmetology II
			25033	COUN 200	Success College and Career
			22083	DANC 100	Dance Appreciation
			26742	DANC 100	Dance Appreciation

Complete class listings, including days, times, and prerequisites, are located on pages 31-96

SHORT TERM CLASSES

Class#	Course	Description	Class#	Course	Description
28682	DANC 100	Dance Appreciation	22634	ECON 202M	Principles of Microeconomics
28924	DANC 100	Dance Appreciation	25091	ENGL 100	Freshman Composition
21249	EDT 125	Fund of Online Teaching	28411	ENGT 116	Blueprint Reading
29101	EDT 134	Word Processing for Educators	22086	HED 100	Contemp Health Problems
27167	EDT 140	Exploring Assistive Tech in Ed	27270	HIST 102	Political & Social Hist-U.S.
29102	EDT 150	Podcasting in Education	21839	HIST 103	Political & Social Hist-U.S.
25191	ENGL 100	Freshman Composition	27457	HIST 103	Political & Social Hist-U.S.
21476	ENGL 103	Critical/Argumentative Wrt	29365	MATH 140	Trigonometry
25629	ESL 31	ESL Reading 2	26480	PEX 124	Personal Fitness Program
27658	GEOG 105	World Regional Geography	28934	AB 67	Automotive Custom Painting
29008	GEOL 103	Environmental Geology Lecture	22424	ACLR 86	Intro to Univ Design for Learn
20901	HED 100	Contemp Health Problems	29342	ASL 216	Beg Interpreting & Ethics 2
21314	HED 100	Contemp Health Problems	29072	CDEC 65	Music/Movmnt for Children
26741	HED 100	Contemp Health Problems	27771	ENGL 103	Critical/Argumentative Wrt
27579	HED 100	Contemp Health Problems	29220	ESL 35	Edit Adv Grammar/Syntax
28926	HED 100	Contemp Health Problems	25028	HED 100	Contemp Health Problems
27995	KIN 100	Introduction to Kinesiology	27429	HED 103	Women, Their Bodies/Health
28511	KIN 100	Introduction to Kinesiology	26743	KIN 100	Introduction to Kinesiology
28925	KIN 100	Introduction to Kinesiology	29302	PEX 100	Sedentary Activities for Stude
27401	KIN 108	Women in Sports	24726	PEX 104	Adapted Stretching & Relaxatio
28176	KIN 298	Directed Studies	25944	PEX 184	Swimming, Novice
20919	NRSG 232	Medical-Surgical Nursing 4	25946	PEX 185	Swimming, Beginning
20920	NRSG 232	Medical-Surgical Nursing 4	27466	POL 101	American Political Institution
20921	NRSG 232	Medical-Surgical Nursing 4	24479	SOC 101	Intro Sociology-Principles
20922	NRSG 232	Medical-Surgical Nursing 4	27430	WGS 103	Women, their Bodies and Health
20923	NRSG 232	Medical-Surgical Nursing 4	27580	AB 53	Steering, Suspension & Power
21731	PSYC 101	General Introductory Psyc	21398	AUTO 121	Drivetrain Trans and Axles
27932	PSYC 101	General Introductory Psyc	20899	AUTO 161	Automotive Electricity
27933	PSYC 101	General Introductory Psyc	21377	AUTO 181	Elec Engine Management Sys
29412	PSYC 101	General Introductory Psyc	29369	MATH 112	Elementary Statistics
20519	PSYC 241	Introduction to Psychology	29370	MATH 112	Elementary Statistics
27450	RE 101	Real Estate Principles	29389	MATH 112	Elementary Statistics
25633	SPCH 110	Intercultural Communication	29390	MATH 112	Elementary Statistics
28151	SPCH 115	Gender,Comm,&DigitalRevolution	29391	MATH 112	Elementary Statistics
24623	SPCH 200	Contemporary Comm Topics	29029	MATH 114	College Algebra
20839	TH 101	Intro to the Theatre	29030	MATH 114	College Algebra
27417	TH 101	Intro to the Theatre	29031	MATH 114	College Algebra
27400	WGS 108	Women in Sports	29367	MATH 114	College Algebra
28198	WGS 115	Gender,Comm,&the Digital Revol	29393	MATH 114	College Algebra
26386	WGS 208	Leadership for Women in Bus	29396	MATH 114	College Algebra
27984	PHYS 203	Engineering Physics	29398	MATH 114	College Algebra
29259	COS 55	Esthetics Crossover	22257	MATH 60	Elementary Algebra
26973	ESL 152	IntroCol Comp Non-Native Engl	29408	MATH 60	Elementary Algebra
28941	AB 86	Production Management	22326	MATH 80	Intermediate Algebra
21396	ACLR 91	Career Exploration/Disab	20912	NRSG 212	Medical-Surgical Nursing I
20888	AUTO 73	Auto Occupational Work Exp	20913	NRSG 212	Medical-Surgical Nursing I
22170	LIBR 100	Intro to Library Research	20914	NRSG 212	Medical-Surgical Nursing I
24079	SPCH 100	Fundamentals Oral Comm	20915	NRSG 212	Medical-Surgical Nursing I
28937	AB 188	Intro to Auto Claims Handling	21639	NRSG 212	Medical-Surgical Nursing I
20889	AUTO 73	Auto Occupational Work Exp	20917	NRSG 222	Maternal/Child Nursing
29000	CA 101	Intro/Food Serv Safety-San	21641	NRSG 222	Maternal/Child Nursing
29069	COUN 10	Career Planning	22146	NRSG 222	Maternal/Child Nursing
29420	COUN 101C	Navigating the Transfer Proces	22358	NRSG 222	Maternal/Child Nursing
21959	FIN 51	Retirement Plan/Investing	24203	NRSG 222	Maternal/Child Nursing
20772	PHAR 63	Pharmacy Operations II			
29073	NRSG 25	Clinical Workshop 1			
20859	NRSG 26	Clinical Workshop 2			
20952	PHAR 50	Pharmaceutics			
29254	SPCH 130	Fund of Public Speaking			
29258	AB 74	Ab Occupational Work Exp			
24661	KIN 134	Theory of Football			
22163	LIBR 100	Intro to Library Research			
22196	NRSG 215	Advanced Placement Bridge			
25137	TH 130	R & P For Minor Roles			
25141	TH 131	R & P For Supporting Roles			
25133	TH 132	R & P For Lead Roles			
25153	TH 133	Stage Crew Activity			
25155	TH 134	Technical Production			
29255	AB 56	Non-Structural Welding			
21452	ASTR 103	Intro Astron Solar System			
27597	AUTO 105	Hydraulics and Pneumatics			
22624	ECON 202	Principles of Microeconomics			

3RD SIX WEEKS: 10/21/2019-11/27/2019

27156	NRSG 242	Professional Role Transiti
27157	NRSG 242	Professional Role Transiti
27158	NRSG 242	Professional Role Transiti
27159	NRSG 242	Professional Role Transiti

SEVENTEEN WEEKS: 08/27/2019-12/20/2019

28503	MATH 60	Elementary
-------	---------	------------

Complete class listings, including days, times, and prerequisites, are located on pages 31-96

SHORT TERM CLASSES

Class#	Course	Description	Class#	Course	Description
SIXTEEN WEEKS – WEEKEND CLASSES: 08/23/2019-12/15/2019					
28979	A&P 120	Intro Human Anat & Phys			
28938	AB 286	Computerized Shop Management			
29243	SPCH 100	Fundamentals Oral Comm			
27061	CD 110	Child Development			
22361	DANC 106A	Beginning Ballet			
26235	DANC 106B	Intermediate Ballet			
26237	DANC 107	Ballet Variations			
26413	ENGL 103	Critical/Argumentative Wrt			
28703	ENGL 103	Critical/Argumentative Wrt			
21468	ENGT 116	Blueprint Reading			
22684	ET 101	Principles of Engineering Tech			
29429	FILM 104	Motion Picture & Digital Cinem			
25744	MTT 100	Machine Tool Introduction			
24402	PHOT 100	Introductory Photography			
27923	SPAN 101	Elementary Spanish			
24593	SPAN 223	Spanish for Health/Medical			
28228	WELD 100	Welding Fundamentals			
24265	WELD 240L	Inter Gas Tungsten Arc Welding			
24266	WELD 250L	Adv Gas Tungsten Arc Welding			
24267	WELD 260L	Gas Tungsten Arc Weld-Aerospac			
27627	WELD 54L	Advanced Pipe Welding			
27628	WELD 56L	Arc Welding 6" Pipe Cert Lab			
28962	WELD 58L	Arc Welding 2" Pipe Cert Lab			
28964	WMT 101	Intro to Woodworking			
29415	WMT 135	Windsor Chair			
29417	WMT 135L	Windsor Chair Lab			
29401	MATH 114	College Algebra			
29402	MATH 114	College Algebra			
27040	WELD 120	Beginning Arc Welding			
29261	MTT 168	Adv Comp Asst Inspec Verisurf			

Complete class listings, including days, times, and prerequisites, are located on pages 31-96



NO FEE NON-CREDIT CLASSES

CLASES GRATIS DE NO-CREDITO DEL COLEGIO

The following information will help you register for non-credit classes offered by Cerritos College. In non-credit classes students build the basic skills needed for personal and professional growth. Students in non-credit classes do not earn units toward the award of a credit degree or certificate, and are not required to pay registration fees for these courses. Instruction in English as a Second Language, General Education Development Preparation Math/English support classes, Citizenship and other basic skills are offered within the non-credit Adult Education Department. Some classes are offered in both English and Spanish. Additional non-credit classes take place off-campus at community sites. Classes for students with disabilities require a separate registration process.

More information is available by calling the offices of:
 Adult Education(562) 467-5098
 Emeritus - Older Wiser Learner(562) 467-5098

Esta información le ayudará a matricularse para clases de no-crédito del Colegio de Cerritos. En las clases de no-crédito, los estudiantes mejoran sus habilidades académicas básicas necesarias para el desarrollo personal y profesional. Las clases de no-crédito no se aplican para título o certificado en los programas de credito. Se ofrecen clases de ESL Ingles como Segundo Idioma, Preparacion para el examen de GED, Entrenamiento Ocupacional, y Certificado de Habilidades Profesionales. La mayoría de las clases de no-crédito se ofrecen en sitios distintos de la comunidad. Clases para estudiantes con discapacidades requieren de una matriculación aparte.

Para información en español, llame a las oficinas de:
 Educación de Adultos(562) 467-5098
 Programa de educación para adultos de mayor edad(562) 467-5098

REGISTRATION

REGISTRACIÓN

STEPS TO ENROLL IN NON-CREDIT CLASSES

COMO MATRICULARSE EN CLASES DE NO-CRÉDITO

1. IDENTIFY THE CLASS OR CLASSES YOU WISH TO TAKE
Review the course list and identify class and ticket number.
2. COMPLETE REGISTRATION FORM
Complete a Cerritos College application online at www.cerritos.edu; select "Apply Online".
3. WALK-IN REGISTRATION
You may register online or in person at the Office of Adult Education & Diversity Programs. Call (562) 467-5098 for office hours.
If you are registering for an ESL, Vocational ESL, GED preparation, or Citizenship class, an assessment test will need to be taken.
4. SCHEDULE AN APPOINTMENT WITH A COUNSELOR
Counselors are available to talk with you about the right courses for you. Call (562) 467-5098 to schedule an appointment.

1. Escoja la clase o clases que le gustaria tomar.
2. Llene la aplicacion de registraci3n para Cerritos College por internet www.cerritos.edu, presione Apply Online, opci3n en Espa3ol.
3. Registraci3n en persona.
Al llenar la aplicaci3n de registraci3n, venga a la oficina de Educacion para Adultos localizada en el edificio de CE 11.
Registraci3n para los cursos de Ingles Como Segundo Idioma requieren una prueba de evaluaci3n. Llame la oficina para mas informaci3n (562) 467-5098.
4. Consulte con un consejero.
Consejeros que hablan espa3ol est3n disponibles. Para hacer una cita, llame al (562) 467-5098.

Class#	Time	Day	Instructor	Room	Class#	Time	Day	Instructor	Room
--------	------	-----	------------	------	--------	------	-----	------------	------

ESL/CITIZENSHIP

This course prepares adults for the citizenship process including the INS examination, and interview. The course will also emphasize oral communication and strengthen English language skills for those limited in English.

Prepárese para el examen de ciudadanía y la entrevista con inmigración, aprendiendo al mismo tiempo Inglés.

AED 60.01 - 0.0 UNIT CITIZENSHIP I

Not Transferable

28245	9:00- 12:50PM	F	Maris-Gramajo,E	SNPK*
28075	8:30- 12:20PM	T	Martinez,D	MESP*
28137	8:00- 12:15PM	Sat	Cardona,R	SS215
Class# 28137 meets 08/24/2019-12/14/2019				
28076	8:00- 12:15PM	Sat	Lozano,J	CCHA*
Class# 28076 meets 08/24/2019-12/14/2019				

ENGLISH AS A SECOND LANGUAGE

Five levels are offered to assist you in your language development. Emphasis is placed on oral communication and conversational language.

Se ofrecen cinco niveles de inglés para desarrollar sus conocimientos en el idioma. Esta clase enfocada en conversación.

AED 42.14 - 0.0 UNIT LOW BEGINNING ENGLISH AS A SECOND LANGUAGE

Not Transferable

22915	6:00- 8:50PM	TTh	Leguizamon-Tunnell,C	CE 1
-------	--------------	-----	----------------------	------

AED 42.15 - 0.0 UNIT HIGH BEGINNING ENGLISH AS A SECOND LANGUAGE

Not Transferable

28200	6:00- 8:50PM	MW	Fragoso,M	BE105
-------	--------------	----	-----------	-------

AED 42.16 - 0.0 UNIT LOW INTERMEDIATE ENGLISH AS A SECOND LANGUAGE

Not Transferable

28044	8:30- 11:20AM	MW	Mondaca,F	TBD *
27198	8:30- 2:55PM	Sat	Tucker,J	SS140
Class# 27198 meets 08/24/2019-12/14/2019				

AED 42.17 - 0.0 UNIT HIGH INTERMEDIATE ENGLISH AS A SECOND LANGUAGE

Not Transferable

28046	8:30- 11:20AM	TTh	Nunez Jr.,N	CE 2
28068	9:00- 12:05PM	MW	Lozano,J	MESP*
28069	8:30- 11:20AM	MW	Nunez,M	PADS*
28222	8:30- 2:55PM	Sat	Sanchez,S	SS141
Class# 28222 meets 08/24/2019-12/14/2019				

AED 42.18 - 0.0 UNIT LOW ADVANCED ENGLISH AS A SECOND LANGUAGE

Not Transferable

Prerequisite: Pass AED 42.17 High Intermediate English as a Second Language course or assess into AED 42.18.

27298	8:30- 11:35AM	MW	STAFF	MP104
28121	6:30- 9:20PM	MW	Nunez,M	CE 1
27300	8:30- 2:55PM	Sat	Nunez Jr.,N	SS207
Class# 27300 meets 08/24/2019-12/14/2019				

SURVIVAL ESL

This course is designed as a survival-level English language course for those students with no English language skills. All language learning skills will be utilized: reading, writing, listening, and speaking; the main focus will be on vocabulary building and listening as initial steps for building English language acquisition.

Este curso de Inglés básico de sobrevivencia está diseñado para aquellos estudiantes con pocas habilidades en este idioma. Todas las enseñanzas del lenguaje aprendido podrán ser utilizadas: Leyendo, escribiendo, escuchando y hablando. El tema central es el vocabulario. Construyendo vocabulario y escuchando es el paso inicial para adquirir el lenguaje Inglés.

AED 42.03 - 0.0 UNIT SURVIVAL ESL

Not Transferable

28267	8:30- 11:20AM	TTh	Robles,M	CE 1
28059	6:00- 8:50PM	TTh	Robles,M	CE 7
29462	8:30- 2:55PM	Sat	STAFF	SS137
Class# 29462 meets 08/24/2019-12/14/2019				

VOCATIONAL ENGLISH AS A SECOND LANGUAGE

This course is designed as a survey of work-related communication including nomenclature for the student with limited English language skills. Students will learn to recognize, produce, and understand technical vocabulary utilizing language learning skills: speaking, listening, reading and writing. This course is intended as preparation for future credit courses, vocational training, or increased vocational language acquisition for the work situation.

Este curso está diseñado para la comunicación en los trabajos, incluye nomenclatura para el estudiante limitado en el idioma Inglés. Los estudiantes aprenderán a reconocer, pronunciar y entender el vocabulario técnico por medio de escuchar, hablar, escribir y leer. Este curso tiene el objetivo de prepararlo para futuras clases de crédito, entrenamientos vocacionales o incrementar la adquisición del lenguaje necesario para una situación en el trabajo."

AED 49.02 - 0.0 UNIT VOCATIONAL ENGLISH AS A SECOND LANGUAGE

Not Transferable

27249	8:30- 1:20PM	F	Perez Juarez,M	MESP*
28071	2:30- 4:35PM	TTh	Ramos,M	NOR *
26437	9:00- 1:50PM	Sat	Fragoso,M	SNPK*
Class# 26437 meets 08/24/2019-12/14/2019				

COLLEGE ENGLISH SKILLS

This beginning course is designed to develop writing fluency through written activities and assignments designed to teach and reinforce conventions of Standard English. This course focuses on sentence structure, development and sentence combining. Students will work toward developing short paragraphs.

Este curso está diseñado para desarrollar la escritura combinando actividades y tareas diseñadas para reforzar las habilidades de escritura en el idioma inglés.

AED 48.05 - 0.0 UNIT COLLEGE ENGLISH SKILLS

Not Transferable

28048	9:00- 10:00AM	MW	Morrison,A	AT 54
	10:00- 10:50AM	MW	Morrison,A	AT 54
28050	9:00- 10:00AM	TTh	STAFF	AT 54
	10:00- 10:50AM	TTh	STAFF	AT 54
28052	9:00- 11:00AM	F	Robles,M	CE 2
	11:00- 12:50PM	F	Robles,M	CE 2

Students not in attendance or late for the first class are subject to drop.

Class#	Time	Day	Instructor	Room	Class#	Time	Day	Instructor	Room
--------	------	-----	------------	------	--------	------	-----	------------	------

PREPARATORY MATHEMATICS

This course is for students who wish to master basic mathematical skills in order to pursue subsequent mathematical courses, gain personal enrichment, and develop career readiness. It covers the concepts of addition, subtraction, multiplication and division of whole numbers, fractions, mixed numbers, decimals, and percentages, with an emphasis on real-world applications.

AED 49.01 - 0.0 UNIT PREPARATORY MATH

Not Transferable

28086	9:00- 10:00AM	MW	Barrera De Contreras	WD1
	10:00- 10:50AM	MW	Barrera De Contreras	WD 1
28090	9:00- 10:00AM	TTh	Barrera De Contreras	MP103
	10:00- 10:50AM	TTh	Barrera De Contreras	MP103
28094	3:00- 4:00PM	MW	Nunez Jr.,N	MP103
	4:00- 4:50PM	MW	Nunez Jr.,N	MP103
28100	6:00- 7:00PM	TTh	STAFF	MP 105
	8:00- 9:00PM	TTh	STAFF	MP 105
28104	8:00- 10:15AM	Sat	Barrera De Contreras	MP 104
	10:15- 12:15PM	Sat	Barrera De Contreras	MP 104
28106	8:00- 10:15AM	F	Barrera De Contreras	MP 104
	10:15- 12:15PM	F	Barrera De Contreras	MP 104

COLLEGE PLACEMENT STRATEGIES A (ENGLISH)

This course will build pre-college level proficiency and help students in writing. Students will develop fundamental concepts of reading and writing and gain familiarity with the basic testing format. This course is presented in a modular format.

Este curso le ayudara a desarrollar sus habilidades de comprensión y escritura a nivel preuniversitario. Los estudiantes desarrollaran conceptos fundamentales de lectura y escritura y se familiarizaran con el formato de examen básico. Este curso se presentara en un formato modular.

AED 42.98 - 0.0 UNIT COLLEGE PLACEMENT TESTING STRATEGIES A

Note: Recommended support for English.

Not Transferable

29477	11:00- 12:00PM	MW	Morrison,A	AT 54
	12:00- 12:50PM	MW	Morrison,A	AT 54
	Class# 29477 meets 08/19/2019-12/18/2019			
29479	11:00- 2:00PM	TTh	STAFF	AT 54
	12:00- 12:50PM	TTh	STAFF	AT 54
	Class# 29479 meets 08/20/2019-12/19/2019			
29481	4:00- 5:00PM	TTh	STAFF	CE 2
	5:00- 5:50PM	TTh	STAFF	CE 2
	Class# 29481 meets 08/20/2019-12/19/2019			
29538	2:00- 2:30PM	MW	STAFF	LM34*
	2:30- 3:00PM	MW	STAFF	LM34*
	Class# 29538 meets 08/19/2019-12/20/2019			
29540	3:00- 3:30PM	MW	Oviedo,A	LM34*
	3:30- 4:00PM	MW	Oviedo,A	LM34*
	Class# 29540 meets 08/19/2019-12/20/2019			
29542	4:00- 4:30PM	MW	Oviedo,A	LM34*
	4:30- 5:00PM	MW	Oviedo,A	LM34*
	Class# 29542 meets 08/19/2019-12/20/2019			
29544	5:00- 5:30PM	MW	Oviedo,A	LM34*
	5:30- 6:00PM	MW	Oviedo,A	LM34*
	Class# 29544 meets 08/19/2019-12/20/2019			
29546	2:30- 3:00PM	TTh	STAFF	LM34*
	3:00- 3:30PM	TTh	STAFF	LM34*
	Class# 29546 meets 08/19/2019-12/20/2019			
29548	3:30- 4:00PM	TTh	STAFF	LM34*
	4:00- 4:30PM	TTh	STAFF	LM34*
	Class# 29548 meets 08/19/2019-12/20/2019			
29550	4:30- 5:00PM	TTh	STAFF	LM34*
	5:00- 5:30PM	TTh	STAFF	LM34*
	Class# 29550 meets 08/19/2019-12/20/2019			
29552	5:30- 6:00PM	TTh	STAFF	LM34*
	6:00- 6:30PM	TTh	STAFF	LM34*
	Class# 29552 meets 08/19/2019-12/20/2019			

COLLEGE PLACEMENT STRATEGIES B (MATH)

This course will build pre-college level math skills in arithmetic and algebra. Students will gain conceptual knowledge, practice basic computations, and use analytical thinking to solve problems. This course is presented in a modular format.

Este curso le ayudara a desarrollar sus habilidades en matemáticas al nivel preuniversitario. El curso se centrará en aritmética y álgebra. Los estudiantes de este curso obtendrán conocimientos conceptuales, practicarán cálculos básicos y usarán el pensamiento analítico para resolver problemas. Este curso se presentara en un formato modular.

AED 42.99 - 0.0 UNIT COLLEGE PLACEMENT TESTING STRATEGIES B

Note: Recommended support for math

Not Transferable

28130	10:00-11:00AM	MW	Bonakdar,M	CE 2
	11:00-11:50AM	MW	Bonakdar,M	CE 2
	Class# 28130 meets 08/19/2019-12/20/2019			
28132	10:00- 10:30AM	TTh	Ortiz,L	WD 1
	10:30-11:00AM	TTh	Ortiz,L	WD 1
	Class# 28132 meets 08/19/2019-12/20/2019			
28286	12:00- 1:00PM	TTh	Nunez Jr.,N	MP103
	1:00- 1:50PM	TTh	Nunez Jr.,N	MP103
	Class# 28286 meets 08/19/2019-12/20/2019			
28288	5:30- 6:00PM	TTh	Ortiz,L	MP103
	6:00- 6:30PM	TTh	Ortiz,L	MP103
	Class# 28288 meets 08/19/2019-12/20/2019			
28641	9:00- 11:00AM	Sat	Carino,J	MP103
	11:00- 12:50PM	Sat	Carino,J	MP103
	Class# 28641 meets 08/19/2019-12/20/2019			
28291	11:00- 12:00PM	TTh	Ortiz,L	MP104
	12:00- 12:50PM	TTh	Ortiz,L	MP104
	Class# 28291 meets 08/19/2019-12/20/2019			
28294	2:30- 3:30PM	T	T Ortiz,L	MP104
	3:30- 4:20PM	T	T Ortiz,L	MP104
	Class# 28294 meets 08/19/2019-12/20/2019			
28918	4:30- 5:00PM	TTh	Ortiz,L	MP104
	5:00- 5:20PM	TTh	Ortiz,L	MP104
	Class# 28918 meets 08/19/2019-12/20/2019			
29485	1:00- 2:00PM	T	Ortiz,L	MP105
	2:00- 2:50PM	T	Ortiz,L	MP105
	Class# 29485 meets 08/19/2019-12/20/2019			
29489	10:00- 11:00AM	MW	Takeuchi,K	BE108
	11:00- 11:50AM	MW	Takeuchi,K	BE108
	Class# 29489 meets 08/19/2019-12/20/2019			
29491	12:00- 1:00PM	MW	Takeuchi,K	BE108
	1:00- 1:50PM	MW	Takeuchi,K	BE108
	Class# 29491 meets 08/19/2019-12/20/2019			
29493	6:30- 7:30PM	MW	Takeuchi,K	MP103
	7:30- 8:20PM	MW	Takeuchi,K	MP103
	Class# 29493 meets 08/19/2019-12/20/2019			
29495	10:00- 11:00AM	TTh	Sevilla,A	BE117
	11:00- 11:50AM	TTh	Sevilla,A	BE117
	Class# 29495 meets 08/19/2019-12/20/2019			
29497	12:00- 1:00PM	TTh	Sevilla,A	BE121
	1:00- 1:50PM	TTh	Sevilla,A	BE121
	Class# 29497 meets 08/19/2019-12/20/2019			
29499	11:00- 11:30PM	MW	Ortiz,L	LM35*
	11:30- 12:00PM	MW	Ortiz,L	LM35*
	Class# 29499 meets 08/19/2019-12/20/2019			
29501	12:00- 12:30PM	MW	Ortiz,L	LM35*
	12:30- 1:00PM	MW	Ortiz,L	LM35*
	Class# 29501 meets 08/19/2019-12/20/2019			
29503	1:00- 1:30PM	MW	Ortiz,L	LM35*
	1:30- 2:00PM	MW	Ortiz,L	LM35*
	Class# 29503 meets 08/19/2019-12/20/2019			
29505	2:00- 2:30PM	MW	Ortiz,L	LM35*
	2:30- 3:00PM	MW	Ortiz,L	LM35*
	Class# 29505 meets 08/19/2019-12/20/2019			
29507	10:00- 10:30AM	W	Ortiz,L	LM34*
	10:30- 11:00AM	W	Ortiz,L	LM34*
	Class# 29507 meets 08/19/2019-12/20/2019			
29509	10:00- 10:30AM	Th	STAFF	LM34*
	10:30- 11:00AM	Th	STAFF	LM34*
	Class# 29509 meets 08/19/2019-12/20/2019			

Students not in attendance or late for the first class are subject to drop.

Class#	Time	Day	Instructor	Room	Class#	Time	Day	Instructor	Room
29511	11:00- 11:30PM	TTh	Carino,J	LM35*					
	11:30- 12:00PM	TTh	Carino,J	LM35*					
	Class# 29511 meets 08/19/2019-12/20/2019								
29513	12:00- 12:30PM	TTh	Carino,J	LM35*					
	12:30- 1:00PM	TTh	Carino,J	LM35*					
	Class# 29513 meets 08/19/2019-12/20/2019								
29515	1:00- 1:30PM	TTh	Carino,J	LM35*					
	1:30- 2:00PM	TTh	Carino,J	LM35*					
	Class# 29515 meets 08/19/2019-12/20/2019								
29517	2:00- 2:30PM	TTh	Carino,J	LM35*					
	2:30- 3:00PM	TTh	Carino,J	LM35*					
	Class# 29517 meets 08/19/2019-12/20/2019								
29520	11:00- 12:00PM	MW	Barrera De Contreras	MP103					
	12:00- 12:50PM	MW	Barrera De Contreras	MP103					
	Class# 29520 meets 08/19/2019-12/20/2019								
29522	11:00- 12:00PM	TTh	Morales,L	WD 1					
	12:00- 12:50PM	TTh	Morales,L	WD 1					
	Class# 29522 meets 08/19/2019-12/20/2019								
29524	5:00- 6:00PM	MW	Nunez Jr.,N	MP104					
	6:00- 6:50PM	MW	Nunez Jr.,N	MP104					
	Class# 29524 meets 08/19/2019-12/20/2019								
29526	12:15- 1:15PM	Sat	Barrera De Contreras	MP105					
	1:15- 2:05PM	Sat	Barrera De Contreras	MP105					
	Class# 29526 meets 08/19/2019-12/20/2019								

AUTOMOTIVE TOOLS & TECHNOLOGY

This course is focused on entry level jobs in the Automotive Industry. Este curso está enfocado en trabajos de nivel de entrada en la industria automotriz.

AED 90.04 - 0.0 UNIT AUTOMOTIVE TOOLS & TECHNOLOGY

26435	8:30- 11:30AM	Sat	Vasilik,R	AT 21					
	Class# 26435 meets 08/23/2019-12/15/2019								
28054	12:00- 3:00PM	Sat	Vasilik,R	AT 21					
	Class# 28054 meets 08/23/2019-12/15/2019								

CAREER SKILLS

Learn basic skills about conducting a job search, attitudes at the workplace, interviewing, work habits, time management, and stress reduction. Esta clase le dará las herramientas necesarias para aplicar aun trabajo y le ayudara como llevar a cabo una entrevista, administrar el tiempo, sobrellevar el estrés y crear ética laboral.

AED 22.06 - 0.0 UNIT CAREER SKILLS

	Not Transferable								
29554	9:00- 10:50AM	TTh	STAFF	BE108					
29555	6:00- 7:50PM	TTh	STAFF	MP104					
29556	9:00- 12:50PM	TTh	Mansell,B	COCC*					
	Class# 29556 meets 08/20/2019-10/17/2019								
29557	9:00- 12:50PM	MW	Mansell,B	COCC*					
	Class# 29557 meets 10/21/2019-12/18/2019								

OCCUPATIONAL TRAINING

Occupational Training will enhance students' skills to enter a new job position and/or advance in their current work. The goal of the course is to advance students' technical skills to apply for a new job or to acquire a job advancement. Este entrenamiento le ayudara al estudiante a mejorar sus habilidades para empezar un nuevo trabajo o ascender de posición en el área laboral. La meta de este curso es proporcionar al estudiante con las herramientas técnicas para aplicar a un nuevo trabajo o lograr crecimiento profesional.

AED 36.06 - 0.0 UNIT OCCUPATIONAL TRAINING

	Not Transferable								
29558	6:30- 8:20PM	TTh	Lopez,A	CE 2					
29559	9:00- 12:50PM	F	Lozano,J	COCC*					
29562	8:30- 10:20AM	TTh	Correa,R	FISA*					
29563	6:00- 7:50PM	MW	Martinez,D	SNPK*					
29564	10:30- 12:20PM	TTh	Maris-Gramajo,E	TMJF*					
29560	9:00- 12:50PM	MW	Mansell,B	COCC*					
	Class# 29560 meets 08/19/2019-10/16/2019								
29561	9:00- 12:50PM	TTh	Mansell,B	COCC*					
	Class# 29561 meets 10/22/2019-12/19/2019								

GENERAL EDUCATION DEVELOPMENT (GED PREPARATION)

This GED Preparation course prepares students for the five examinations in the areas of writing skills, social studies, science, literature, and mathematics. Este curso consiste en cinco materias que son escritura, ciencias sociales, literatura, y matemáticas. Estas clases lo capacitan para pasar el examen y obtener su certificado de preparatoria.

AED 42.10 - 0.0 UNIT SPANISH GED TEST PREP-A

	Not Transferable								
28060	9:00-11:50AM	TTh	Rosales,I	LKMS*					
22895	8:30- 2:55PM	Sat	Chavez-De Vasquez,A	SS139					
	Class# 22895 meets 08/24/2019-12/14/2019								

AED 42.11 - 0.0 UNIT SPANISH GED TEST PREP-B

	Not Transferable								
28066	6:00- 8:50PM	MW	Iachetta,C	CE 6					
29466	9:00- 3:05PM	F	Rosales,I	CCHA*					
29467	4:35- 7:25PM	TTh	Ramos,M	NOR *					
29468	10:30- 1:20PM	TTh	Chavez-De Vasquez,A	FISA*					
29469	6:00- 8:50PM	TTh	Chavez-De Vasquez,A	COCC*					
29470	8:30- 2:55PM	Sat	Iachetta,C	SNPK*					
29471	8:30- 11:20AM	MW	Correa,R	BELL*					
28120	8:30- 2:55PM	Sat	Nava,D	SS138					
	Class# 28120 meets 08/24/2019-12/14/2019								

AED 42.12 - 0.0 UNIT GED PREPARATION-A

	Not Transferable								
24628	6:00- 8:50PM	TTh	STAFF	TBD *					

AED 42.13 - 0.0 UNIT GED PREPARATION-B

	Not Transferable								
27299	6:30- 9:20PM	TTh	Rios,H	CE 6					
29461	8:30- 2:55PM	Sat	Rosales,I	SS136					
	Class# 29461 meets 08/24/2019-12/14/2019								

Students not in attendance or late for the first class are subject to drop.

Class#	Time	Day	Instructor	Room	Class#	Time	Day	Instructor	Room
--------	------	-----	------------	------	--------	------	-----	------------	------

LITERACY SKILLS FOR GENERAL EDUCATION DEVELOPMENT (GED)

This course is designed to provide students with additional instruction and support to pass the Reasoning Through Language Arts (RLA) subtest of the General Education Development (GED) exam. Students will learn test-taking skills, understand the official General Education Development (GED) RLA test format, and complete practice General Education Development (GED) RLA tests. All subject areas of GED will be covered.

Este curso está diseñado para ofrecerle al estudiante instrucción adicional y ayudarlo a pasar el pre-examen en GED de la materia "Pensamiento crítico en el arte del lenguaje" (RLA). El estudiante también aprenderá.

AED 42.20 - 0.0 UNIT LITERACY SKILLS FOR GENERAL EDUCATION DEVELOPMENT (GED) SUCC

Not Transferable

29464	10:30- 2:20PM	T	Oviedo,A	CE 6
29473	10:30- 2:20PM	Th	Oviedo,A	CE 7
29474	10:30- 2:45PM	M	Oviedo,A	CE 7
29475	10:30- 2:20PM	W	Oviedo,A	CE 6
29476	5:30- 7:20PM	MW	Morales,L	CE 7

AED 42.21 - 0.0 UNIT SPANISH LITERACY SKILLS FOR GENERAL EDUCATION DEVELOPMENT (G)

Not Transferable

28077	8:30- 12:20PM	T	Ramos,M	HS102
29456	8:30- 12:20PM	Th	Ramos,M	CE 6
29457	10:30- 2:45PM	M	STAFF	CE 6
29458	10:30- 2:20PM	W	STAFF	CE 7

SUPPLEMENTAL GENERAL EDUCATION DEVELOPMENT (GED-MATH)

This course is for students who need additional instruction and support in order to pass the math subtest of the General Education Development (GED) exam. Students will learn test taking skills, understand the official General Education Development (GED) math test format, and complete practice General Education Development (GED) math tests.

Esta clase es para estudiantes que necesitan una instrucción adicional y apoyo para pasar el pre-examen de matemáticas del GED. Los estudiantes aprenderán las habilidades para tomar un examen, entender el examen general del GED, el formato del examen de matemáticas y completar la práctica del examen de matemática en general."

AED 42.22 - 0.0 UNIT SUPPLEMENTAL GENERAL EDUCATION DEVELOPMENT (GED) MATH

Not Transferable

28079	8:30- 10:20AM	TTh	Samel,C	CE 7
28223	8:30- 10:20AM	MW	Samel,C	CE 6
29460	7:30- 9:20PM	MW	Castro,J	CE 7

AED 42.23 - 0.0 UNIT SPANISH SUPPLEMENTAL GENERAL EDUCATION DEVELOPMENT (GED) MAT

Not Transferable

28119	8:30- 10:20AM	TTh	Carino,J	HS103
29459	8:30- 10:20AM	MW	Carino,J	MP103

OLDER WISER LEARNER (FORMERLY EMERITUS COLLEGE)

The Older Wiser Learner program offers special interest, non-credit classes for adults. These courses are designed to support lifelong learning. Register in the class. Classes are open enrollment.

"El programa de aprendizaje para personas de la tercera edad ofrece clases de interés especial, sin crédito para adultos. Estos cursos están diseñados para apoyar el aprendizaje de por vida. Regístrese ahora las inscripciones están abiertas.

AED 11.08 - 0.0 UNIT STRESS MANAGEMENT/OLDER ADULT

Not Transferable

22931	1:00- 2:00PM	M	Layne,J	NSC *
	2:00- 2:50PM	M	Layne,J	NSC *
22933	3:00- 4:00PM	M	Layne,J	NSC *
	4:00- 4:50PM	M	Layne,J	NSC *
22935	1:00- 2:00PM	T	Lozano,J	DCC *
	2:00- 2:50PM	T	Lozano,J	DCC *
22937	1:00- 2:00PM	Th	Lozano,J	DCC *
	2:00- 2:50PM	Th	Lozano,J	DCC *
22939	3:00- 3:30PM	TTh	Lozano,J	DCC *
	3:30- 3:50PM	TTh	Lozano,J	DCC *
22941	10:00- 10:30AM	MW	Van Herk,T	LMGM*
	10:30- 10:50AM	MW	Van Herk,T	LMGM*
22943	1:00- 2:00PM	M	Van Herk,T	CSRC*
	2:00- 2:50AM	M	Van Herk,T	CSRC*
22945	1:00- 2:00PM	W	Van Herk,T	LMGM*
	2:00- 2:50PM	W	Van Herk,T	LMGM*
22947	9:45- 10:15PM	TTh	Van Herk,T	GROV*
	10:15- 10:35AM	TTh	Van Herk,T	GROV*
22949	8:15- 8:45AM	MW	Van Herk,T	NBRC*
	8:45- 9:05AM	MW	Van Herk,T	NBRC*
22952	9:00- 10:00AM	F	Van Herk,T	ACH *
	10:00- 10:50AM	F	Van Herk,T	ACH *
22954	11:15- 11:45PM	MW	Van Herk,T	LMGM*
	11:45- 12:05PM	MW	Van Herk,T	LMGM*
27211	7:30- 8:00AM	MW	Jackson,M	CSRC*
	8:00- 8:20AM	MW	Jackson,M	CSRC*
27213	9:15- 9:45AM	MW	Jackson,M	NSC *
	9:45- 10:05AM	MW	Jackson,M	NSC *
27215	10:15- 10:45AM	MW	Jackson,M	NSC *
	10:45- 11:05AM	MW	Jackson,M	NSC *
27217	5:00- 5:30PM	MW	Jackson,M	CSRC*
	5:30- 5:50PM	MW	Jackson,M	CSRC*
27219	1:00- 2:00PM	F	Jackson,M	LMAC*
	2:00- 2:50PM	F	Jackson,M	LMAC*
27221	11:00- 11:30AM	F	Van Herk,T	ACH *
	2:00- 2:30PM	T	Van Herk,T	ACH *
27222	11:30- 11:50AM	F	Van Herk,T	ACH *
	2:30- 2:50PM	T	Van Herk,T	ACH *
27223	1:00- 1:30PM	MW	Jackson,M	LMAC*
	1:30- 1:50PM	MW	Jackson,M	LMAC*
27227	1:00- 2:00PM	TTh	Jackson,M	LMAC*
	2:00- 2:50PM	TTh	Jackson,M	LMAC*

AED 22.09 - 0.0 UNIT TOPICS OF INTEREST SENIORS

Not Transferable

22900	9:00- 10:50AM	F	Levy,E	NSC *
22901	12:00- 1:50PM	M	Levy,E	WDRC*
22902	12:00- 1:50PM	F	Levy,E	LMAC*
22903	10:00- 11:50AM	W	Levy,E	FOUN*
22907	11:00- 12:50PM	T	Levy,E	FOUN*
22957	11:00- 12:50PM	Th	Levy,E	FOUN*
27230	3:00- 4:50PM	M	Levy,E	CSRC*
27231	3:00- 4:50PM	Th	Levy,E	NSC *

AED 48.03 - 0.0 UNIT CREATIVE WRITING FOR SENIORS

Not Transferable

22908	2:00- 3:50PM	Th	Mansell,B	NSC *
27233	2:00- 3:50PM	T	Mansell,B	NSC *

Students not in attendance or late for the first class are subject to drop.

APPRENTICESHIP PROGRAMS

Learn a trade while you work. Apprenticeship is a well-organized and supervised method of training individuals who have little or no knowledge of the craft.

Cerritos College has 3 apprenticeship programs:

- Field Ironworkers
- SC/PDCA Painters & Decorators of California
- CAFSA-California American Fire Sprinkler Association

For further information call (562) 860-2451, ext. 2497

Aprende un oficio mientras trabajas. Está programa de aprendizaje está bien organizado y supervisado para capacitar a personas que tienen poco o nada de conocimiento en el oficio.

FOSTER KINSHIP CARE PROGRAM

The workshops offered through Cerritos College help to enhance and develop parenting skills related to caring for both foster children and children in a relatives care. As a licensed foster parent, you are required to obtain continuing education hours every year, and the classes we offer at Cerritos College through the FKCE program fill these requirements.

For further information call (562) 860-2451, ext. 2548

Los talleres ofrecidos por medio del colegio de Cerritos es para mejorar y desarrollar las habilidades de los padres relacionados al cuidado de ambos, tanto padres como hijos de crianza. Usted como padre de crianza con licencia, le es requerido recibir un número de horas de entrenamiento cada año. Las clases que ofrecemos a través del colegio de Cerritos le ayudarán a completar este requisito.

PLAZA COMMUNITARIA

The Office of Adult Education & Diversity Programs in collaboration with the Mexican Consulate in Los Angeles offers an innovative new program called Plaza Comunitaria. The program consists of three levels of progression which teach the Spanish speaking adults to read, write and speak in their native tongue and to complete their first and secondary education. At the completion of this program the student will receive a diploma from the Secretary of Public Education from Mexico. Our goal is to transition the student into regular ESL courses with a higher rate of success and then introduce them to a higher level of education.

El Departamento de Educación de Adultos y Programas Diversos en colaboración con el Consulado Mexicano de Los Angeles ofrecemos un nuevo e innovador programa "Plaza Comunitaria." La Plaza Comunitaria es un programa que consista de tres niveles que permite que los adultos de habla Español aprendan a leer y escribir en su lengua natal y acabar su educación primaria y secundaria. Al terminar cada nivel, el estudiante recibe un diploma de la Secretaría de Educación Pública en México. Al terminar su educación secundaria los estudiantes son capaces a la transición en cursos de ESL con un índice mas alto de éxito.

For further information call (562) 860-2451, ext. 2518



SITE LOCATIONS

SITE	NAME	LOCATION
AACH *	Artesia Christian Hospital	11614 E. 183rd St., Artesia
AGMC*	Anaheim Global Medical Center	1025 S Anaheim Blvd, Anaheim
ARMC*	Anaheim Regional Medical Cente	111 W. La Palma Ave., Anaheim
BELF*	Bellflower High School	15301 McNab Ave, Bellflower
BELL *	Bellflower - Washington Elemen	9725 Jefferson St, Bellflower
CCHA*	Centro CHA Incorporated	1633 Long Beach Blvd, Long Beach
CERR*	Cerritos High School	12500 183rd St, Cerritos, CA
CH *	College Hospital	10802 College Pl., Cerritos
COCC*	One-Stop Career Center Plus	10900 E. 183rd St., Suite 392, Cerritos
CPH *	Coast Plaza Hospital, Norwalk	13100 Studebaker Road, Norwalk
CSRC*	Cerritos Senior Center	12340 South St., Artesia
DCC *	Downey Community Senior Center	7810 Quill Dr., Downey
ELMT*	El Monte Dental Clinic	10953 Romona Blvd., El Monte
Facil ID	Descr	
FISA*	Fedde International Studies Ac	21409 S. Elaine Ave., Hawaiian Gardens
FOUN*	Founders	18025 Pioneer Blvd., Artesia
GROV*	The Grove Senior Living	11000 New Falcon Way, Cerritos
HDSN*	Hudson Dental Clinic	2829 South Grand Ave., Los Angeles
KDMC*	Kaiser Downey Medical Center	9333 Imperial Hwy., Downey
LAH *	Los Alamitos Hospital	3751 Katella Ave., Los Alamitos
LBVA*	Long Beach Veteran's Admin	5901 E. 7th St., Long Beach
LCMC*	La Casa Mental Health Rehab Ct	6060 Paramount Blvd., Long Beach
LKMS*	Lakeland Middle School	11224 Bombardier Ave., Norwalk
LM20*	La Mirada Adult Center Room 20	15310 Alondra Blvd, La Mirada
LM21*	La Mirada Adult Center Room 21	15310 Alondra Blvd, La Mirada
LM34*	La Mirada Adult Center Room 34	15310 Alondra Blvd, La Mirada
LM35*	La Mirada Adult Center Room 35	15310 Alondra Blvd, La Mirada
LMAC*	La Mirada Activity Center	13810 La Mirada Blvd., La Mirada
LMGM*	La Mirada Gymnasium	15105 Alicante Rd., La Mirada
LRMC*	Lakewood Regional Medical Cent	3700 E. South St., Lakewood
MAYF*	Mayfair High School	6000 Woodruff Ave, Lakewood
MCDH*	Miller Children's Dental Healt	455 E Columbia St, Long Beach
MESP*	Migrant Ed. Student/Parent Ctr	2215 Elaine Ave., Hawaiian Gardens
NBRC*	Neighborhood Center	9255 Pioneer Blvd., Santa Fe Springs
NCH *	Norwalk Community Hospital	13222 Bloomfield Ave., Norwalk
NHS*	Norwalk High School	11356 Leffingwell Rd, Norwalk
NOR *	Northgate Store	Contact department for location
NSC *	Norwalk Senior Center	14040 San Antonio Dr., Norwalk
PADS*	Paddison Elementary School	12100 Crewe St, Norwalk
PIHD*	PIH HEALTH-DOWNEY	11500 Brookshire Ave, Downey
PIHW*	PIH HEALTH-WHITTIER	12401 Washington Blvd, Whittier
RLA *	Rancho Los Amigos	7601 E. Imperial Hwy., Downey
RYBL*	Roybal Dental Clinic	2345 S. Fetterly Ave., Los Angeles
SNPK*	Spane Park	14400 Gundry Ave, Paramount
SOHS*	Somerset High School	9242 Laurel St, Bellflower
TBD *	To Be Determined	
TMJF*	Thomas Jefferson Elem. School	10027 Rose St., Bellflower
USC *	University of Southern Califor	925 W. 34th, Los Angeles
VECH*	Villa Elena	13226 Studebaker Rd. Norwalk

For more information, please contact the appropriate department office.

CHICANO STUDIES

WHY STUDY CHICANO STUDIES?

The Mexican American/Chicano(a)/Latino(a) Department seeks to increase critical understanding and appreciation of social, historical, and continuing cultural significance of Mexican American and Latino(a) communities. The Latino(a) population has played an important role in shaping our nation's history and is now the fastest growing population in the United States, and will soon become the majority population in the state of California. Students who major in Chicano Studies will enroll in classes from a variety of disciplines that enrich their understanding of the experiences and contributions of Mexican Americans and Latino[a]s past and present. The Chicano Studies Associate in Arts Degree requires completion of courses from the fields of History, Art, Women's Studies, Sociology, Philosophy, Psychology, Spanish, English, and Anthropology.

Chicano Studies courses are vital to help you learn, value, and practice cultural competence – an imperative and beneficial skill to build in an increasingly diverse society. Chicano Studies courses will help you gain more self-confidence and improved self-esteem to experience new ways of learning, as course framework reflects that of historically marginalized groups that are often overlooked.

IF YOU TAKE COURSES IN CHICANO STUDIES, YOU WILL:

- Gain understanding of the importance of Chicano(a)/ Latino(a) culture in the United States.
- Analyze and evaluate the contributions of Chicano(a)s and Latino(a)s within US society in diverse disciplines such as Politics, Science, Health, Education, Social Sciences, Humanities, Music, and Fine Arts.
- Be introduced to significant Mexican American, Chicano, and Latino leaders in the US, both new and contemporary figures, as a form of mentorship. Learning about these leaders will help you advance further in your personal, academic, and professional lives.
- Become active in today's society to procure benefits for your education and for the benefit of others in your community.

The Associate in Arts Degree in Chicano Studies prepares students to transfer to California State University (CSU) campuses that offer Chicano Studies. In addition, Chicano Studies is an interdisciplinary program that contains a wide array of classes from English, Spanish, History, Social Science, Fine Arts, Women Studies, and Anthropology. All of these major courses of study will also prepare the student to obtain additional coursework to major and/or minor in the disciplines mentioned above. The degree requires students to complete 60 CSU transferable units.

There are many careers in which a Chicano Studies degree is beneficial:

- Arts, Fine Arts, & Music
- Community Organizing
- English
- Foreign Service
- Journalism
- Marketing & Public Relations
- Medical Profession
- Public & Business Administration
- Law
- Law Enforcement
- Librarian/Historian
- Non-Profit Organization
- Public Policy
- Social Work
- Teaching: K-12, Credentialing, & Higher Education

MAJOR REQUIREMENTS:

Required Courses	(19 units)	Elective Courses (choose two courses)	(6–9 units)
ENGL 223 Chicana/Chicano Literature	3.0	ANTH 100 Cultural Anthropology	3.0
ENGL 225 Mexican Literature in Translation	3.0	ANTH 170 Introduction to Language and Culture	3.0
SPAN 101 Elementary Spanish	3.0	ANTH 202 The Mayans, Incans, and Aztecs: Ancient Civilizations of the Americas	3.0
or SPAN 111 Elementary Spanish for Spanish Speakers	(5.0)	ART 105A The Arts of Latin America and the Caribbean: Pre-Colombian	3.0
SPAN 102 Elementary Spanish	5.0	ART 105B The Arts of Latin America and the Caribbean: Colonial to the Present	3.0
or SPAN 112 Elementary Spanish for Spanish Speakers	(5.0)	COUN 150 Dynamics of Leadership	3.0
SPAN 245 Introduction to Chicano/Mexican American Culture	5.0	HIST 120 History of California	3.0
		HIST 230 History of Mexico	3.0
		HIST 235 History of Latin America	3.0
		HO 100 Health of Underserved Communities	3.0
		HUM 108 Black Images in Popular Culture	3.0
		or ART 108 Black Images in Popular Culture	(3.0)
		INST 100 Principles and Strategies for Problem Solving	3.0
		PHIL 104 Philosophy of Cultural Diversity: Challenge and Change	3.0
		PHIL 200 World Religions	3.0
		PSYC 261 Social Psychology	3.0
		SOC 201 Social Problems	3.0
		SOC 215 Sociology of Cultural Diversity, Challenge and Change	3.0
		SOC 210 American Minority Relations	3.0
		SPAN 201 Intermediate Spanish	5.0
		SPAN 202 Intermediate Spanish	4.0
		SPAN 210 Highlights of Hispanic Culture	3.0
		WGS 101 Issues for Women in American Society	3.0
		WGS 105 Gender Studies and the Chicana/Latina Experience	3.0

ASSOCIATE IN ARTS DEGREE REQUIREMENTS: Complete the following (1) major requirements, (2) the A.A. Degree General Education requirements, and (3) electives to achieve a minimum of 60 units.			
	AA	CSU	IGETC
Major Total:	25-28 units	25-28 units	25-28 units
GE Pattern: AA, CSU, and IGETC:	18 units	18 units	37 units
Double Counted Units:	0	12	18
Degree applicable electives (as needed): (CSU and IGETC requires CSU transferable units)	42 units	5-7 units	13-16 units
Total Degree Units (Maximum):	60 units	60 units	60 units

Total Major Requirements:

25 – 28



SCHOLARS' HONORS PROGRAM

WHAT IS THE SCHOLARS' HONORS PROGRAM?

The Scholars' Honors Program (SHP) is a social and academic home that Cerritos College offers to talented and motivated students planning to transfer to four-year colleges and universities, especially to the UC and CSU systems. It introduces you to a community of faculty and staff who are committed to helping you succeed, and it provides you with a supportive environment of fellow students with similar goals and interests.

AM I ELIGIBLE FOR THE SHP?

- A cumulative GPA of 3.0 in all coursework
- Readiness for English 100 (Freshman Composition)

HOW DO I JOIN?

Go online to the SHP web page, <http://www.cerritos.edu/shp>.

HONORS COURSES, FALL SESSION, 2019

Earth Science 104:	Oceanography Prof. Dan DeKraker, Tu 12:30—3:20 pm UC/CSU: Fulfills an IGETC Physical & Biological Sciences requirement (Plan C: Area 5A)	Class #21885
Economics 201M:	Principles of Macroeconomics Prof. Solomon Namala, TuTh 8:30—9:50 am + 9:50—10:40 am (15-weeks) UC/CSU: Fulfills an IGETC Social & Behavioral Sciences requirement (Plan C: Area 4)	Class #24440
English 100:	Freshman Composition Prof. Timothy Juntilla, MW 7:00—8:50 am Prof. Timothy Juntilla, MW 9:00—10:50 am UC/CSU: Fulfills the IGETC Freshman Composition requirement (Plan C: Area 1A)	Class #26399 Class #20193
English 103:	Critical and Argumentative Writing Prof. Nicole Lovejoy-Robold, ONLINE (15-weeks) UC/CSU: Fulfills the IGETC Critical Thinking requirement (Plan C: Area 1B)	Class #26408
English 110:	Critical Thinking Through Literature Prof. Daniel Gardner, MW 8:00—9:50 am UC/CSU: Fulfills the IGETC Critical Thinking requirement (Plan C: Area 1B)	Class #29212
Humanities 100:	The Art of Being Human Prof. Julie Trager, MW 2:00—4:50 pm (9-weeks) UC/CSU: Fulfills IGETC Humanities requirement (Plan C: 3B)	Class #28036
Psychology 210:	Elementary Statistics Prof. Jaclyn Ronquillo-Adachi, TuTh 8:00—9:30 am + TuTh 9:30—10:50 am UC/CSU: Fulfills an IGETC Mathematical Concepts & Quan. Reasoning requirement (Plan C: Area 2)	Class #24469
Sociology 202: or WGS 202:	Gender and Society Gender and Society Prof. Amy Holzgang, MW 2:00—3:30 pm (15-weeks) UC/CSU: Fulfills an IGETC Social & Behavioral Sciences requirement (Plan C: Area 4)	Class #22310 Class #24476
Sociology 205:	Introduction to Social Research Methods Prof. Amy Holzgang, TuTh 12:30—2:30 pm (15-weeks) UC/CSU: Fulfills an IGETC Social & Behavioral Sciences requirement (Plan C: Area 4)	Class #26209
Speech 110:	Intercultural Communication Prof. Angela Hoppe-Nagao, ONLINE (1st 9-weeks) Prof. Angela Hoppe-Nagao, ONLINE (2nd 9-weeks) UC/CSU: Fulfills an IGETC Social & Behavioral Sciences requirement (Plan C: Area 4)	Class #25632 Class #25633
WGS 207: or Art 207:	Women and Media Women and Media Prof. Julie Trager, Th 12:30—4:50 pm (12-Weeks) UC/CSU: Fulfills IGETC Humanities requirement (Plan C: Area 3B)	Class #29113 Class #29079

WOMEN'S AND GENDER STUDIES DEPARTMENT

FALL 2019 CLASSES

**Schedule in subject to change. For more information please contact,
Amy Holzgang and Michelle Fagundes, Co-Chairs, Women's and Gender Studies Department.**

"Gender equality is a shared vision of social justice and human rights"
United Nations' Women Executive Director Phumzile Mlambo-Ngcuka

**"Culture does not make people. People make culture. If it is true that the
full humanity of women is not our culture, then we can and must make it our culture."**

*Chimamanda Ngozi Adichie, (Nigerian author, awarded a MacArthur
Genius Grant in 2018 and author of We Should All Be Feminists, 2015.)*

Women's and Gender Studies 101 (WGS 101)

Issues for Women in American Society

Transferable to UC and CSU.

Class #25739	Holly Gregg	T/TH	11 am – 12:15 pm	SS 307
Class #20606	Michelle Fagundes	ONLINE	ONLINE	ONLINE
Class #29567	Mariam Youssef	T/TH	5 – 6:15 pm	BE 116

Women's and Gender Studies 102 (WGS 102)

Women and Religion

Transferable to UC and CSU.

Class #26452	Mariam Youssef	T/TH	2 – 3:15 pm	SS 310
Class #29108	Mariam Youssef	T/TH	11 am – 12:15 pm	SS 140
Class #29586	Katya De Los Rios	T/TH	9:30 – 10:45 am	SS 315

Women's and Gender Studies 103 (WGS 103)

Women, their Bodies and Health

Transferable to CSU.

Class #27138	Elizabeth Gusman	M/W	9:30 – 10:45 am	MC 102
Nine Week Session B7 T/TH Session (10/22/2019 - 12/19/2019)				
Class #27430	Pauline Acosta	T/TH	6:30 – 9:20 pm	SS 138

Women's and Gender Studies 105 (WGS 105)

Gender Studies and the Chicana/Latina Experience

Transferable to CSU.

Class #27754	Pauline Acosta	T/TH	5 – 6:30 pm	SS 138
--------------	----------------	------	-------------	--------

Women's and Gender Studies 108 (WGS 108)

Women in Sports

Transferable to UC and CSU.

Class #27286	Trisha Kozlowski	ONLINE	ONLINE	ONLINE
Nine Week Session B M-F Session (10/21/2019 - 12/20/2019)				
Class #27400	Trisha Kozlowski	ONLINE	ONLINE	ONLINE

Women's and Gender Studies 115 (WGS 115)

Gender, Communication, and the Digital Revolution

Fifteen Week Session B7 T/TH Session (9/10/2019 - 12/19/2019)

Class #29110	Kimberly Rosenfeld	T/TH	9:30 – 11 am	SS 211
Nine Week Session A M-F Session (8/19/2019 - 10/18/2019)				
Class #29109	Kimberly Rosenfeld	ONLINE	ONLINE	ONLINE
Nine Week Session B M-F Session (10/21/2019 - 12/20/2019)				
Class #28198	Kimberly Rosenfeld	ONLINE	ONLINE	ONLINE

Women's and Gender Studies 118 (WGS 118)

History of Women in Visual Art

Class #29111	Staff	ONLINE	ONLINE	ONLINE
Twelve Week Session A M-F Session (8/19/2019 - 11/8/2019)				
Class #29436	Lyndsy Phillips	ONLINE	ONLINE	ONLINE

Women's and Gender Studies 202 (WGS 202)

Gender and Society

Transferable to UC and CSU.

Class #29112	Holly Gregg	ONLINE	ONLINE	ONLINE
Fifteen Week Session B6 MW (9/9/2019 - 12/18/2019)				
Class #24476	Amy Holzgang	M/W	2 – 3:30 pm	SS 140
Fifteen Week Session B7 T/TH (9/10/2019 - 12/19/2019)				
Class #27753	Amy Holzgang	T/TH	9:30 – 11 pm	SS 138

Women's and Gender Studies 204 (WGS 204)

Women in American History

Transferable to UC and CSU.

Class #26383	Julie Davis	M/W	12:30 – 1:45 pm	SS 309
--------------	-------------	-----	-----------------	--------

Women's and Gender Studies 207 (WGS 207)

Women and Media

Transferable to UC and CSU.

Twelve Week Session A4 TH (8/22/2019 - 11/7/2019)				
Class #29113	Julie Trager	TH	12:30 – 4:50 pm	FA 134

Women's and Gender Studies 208 (WGS 208)

Leadership for Women in Business

Transferable to CSU. All class information will be available at
www.cerritos.edu/baonline.

Fifteen Week Session A M-F (8/19/2019 - 11/29/2019)

Class #26384	Barbara Livingston	ONLINE	ONLINE	ONLINE
Class #26385	Barbara Livingston	ONLINE	ONLINE	ONLINE
Nine Week Session B M-F Session (10/21/2019 - 12/20/2019)				
Class #26386	Barbara Livingston	ONLINE	ONLINE	ONLINE



LEARNING COMMUNITIES

For Fall 2019, there are three Learning Communities: First Year Experience, Puente Program, and Umoja Success Program.

For more information about enrolling in the Learning Communities Program or for a complete description of each learning community, please check the website at www.cerritos.edu/lcp/ or call (562) 860-2451, ext. 2212.

FIRST YEAR EXPERIENCE PROGRAM:

The First Year Experience Program (FYE) is a student success program designed to help students make a smooth and successful transition into college. FYE pairs classes together in “Houses” that focus on an area of interest or major and allows you to take these classes with a cohort of students with the same interest. FYE provides a supportive and welcoming learning community environment where students connect with one another and with creative faculty members. The FYE Houses are packaged together during prime class times, so they work well with your schedule. FYE also has events during the semester aimed at connecting you to campus and community.

FYE students are required to attend an orientation on **Thursday, August 15 from 5-7 p.m. in LC 155**. Students will meet their instructors and classmates, and will also receive important information about their classes, parking, and books.

BUSINESS HOUSE:

These courses are for those students interested in majoring in Business.

25967	ENGL 100	4 units	Gardner, D.	M (Hybrid)	11:00 am – 12:50 pm	LA 203
22806	MATH 114	4 units	Cho, A.	TTH	8:00 – 9:50 am	PST 237
29021	MATH 5	1 unit	Cho, A.	T	10:00 – 10:50 am	PST 237
21250	BA 100	3 units	Ramos, G.	TTH	12:30 – 1:45 pm	SS 312
26201	COUN 200	3 units	Mahoney, M.	MW	9:30 – 10:45 am	MP 207
Total Units:		15 units				

HEALTH OCCUPATIONS:

These courses are for those students interested in majoring in health-related majors such as Nursing, Speech Language Pathology, Dental Hygiene, etc.

20205	ENGL 100	4 units	Mitchell-Lambert, J.	MW	9:00 – 10:50 am	MP 211
20340	MATH 112	4 units	Ford, D.	TTH	11:00 am – 12:50 pm	MCIS 113
29063	MATH 5	1 unit	Ford, D.	T	1:00 – 1:50 pm	MCIS 113
20550	SOC 101	3 units	Holzgang, A.	MW	12:30 – 1:45 pm	SS 314
22518	COUN 200	3 units	Aguyayo, R.	TTH	9:30 – 10:45 am	MP 205
Total Units:		15 units				

PUENTE PROGRAM:

The Puente Program is designed to help students achieve academic success, instills a sense of belonging, and guarantees students four transfer courses with textbooks provided at no cost. These courses are all transferrable and will get you more familiar with the transfer process, major and career decision process, and build your leadership skills. The most unique aspect of the Puente Program is that the professors approach these four subjects through a Latina/o perspective, including Latina/o authors; historical and contemporary issues in the Latinx community; and different themes pertaining to the Latina/o community.

Through Puente you will receive counseling, guidance, mentorship, and assistance on the importance of transferring into a CSU, UC, or Private Universities. The Puente Program also takes students on field trips such as visiting Northern California universities free of charge.

For more information on the Puente Program, contact the Counseling Department at (562) 467-5231.

27888	ENGL 100	4 units	Quaas-Berryman, F.	TTH	8:00 – 9:50 am	LA 203
27801	ENGL 5L	.5 unit	Quaas-Berryman, F.	TTH	10:00 – 10:50 am	LA 203
22519	COUN 200	3 units	Romero, G.	TTH	12:30 – 1:45 pm	LA 203
Total Units:		7.5 units				

UMOJA SUCCESS PROGRAM:

Be a part of a community of scholars designed with you in mind! The Umoja Success Program was designed to assist Black, African, African American students, and others in achieving academic and life success through the exploration of Black Culture and Hip Hop. A dynamic learning experience shared by a group of students with faculty that is committed to their success. Umoja is a place to call home!

So what's in it for you? Academic and personal support, academic and cultural excursions, helpful resources, and so much more. For more information about the Umoja Success Program and joining our community, please contact the Counseling Department at (562) 467-5231.

If you want to go fast, then go alone. If you're going to go far, go together! —UMOJA!

26396	ENGL 100	4 units	Sartin, N.	TTH	9:00 – 10:50 pm	LA 203
25579	COUN 200	3 units	Hill, S.	TTH	12:30 – 1:45 pm	MP 203
Total Units:		7 units				

LEARNING COMMUNITIES (CONTINUED)

LEARNING COMMUNITIES CLASSES

Learning communities involve the intentional creation of class pairs or clusters around a common theme, public issue, or question. Typically, the same group of students is co-enrolled in two or more courses, usually from different disciplines—for instance, English and career guidance. Students enroll in both courses but receive a separate grade for each one. Classroom activities, tests, assignments, field trips, research projects, and educational technology are used to engage students in their own learning, as well as provide them with valuable “real-world” skills. Students enroll in both courses but receive a separate grade for each one.

Perhaps more importantly, the learning community model promotes student-centered learning, with an emphasis on an enriched classroom environment. It promotes greater intellectual growth and genuine mastery of course content through collaborative activities, frequent feedback, and increased student-teacher and student-student interactions.

Research indicates learning communities promote student achievement, retention, and progress toward degree completion. Faculty benefit from professional development and training, fresh approaches to teaching, and collaboration with colleagues.

WHAT ARE THE BENEFITS OF JOINING A LEARNING COMMUNITY?

- Smooth your transition into college
- Meet other students and form lasting friendships
- Learn how to choose your major and reach your academic goals sooner
- Graduate or transfer to a four-year college or university sooner
- Increase your learning and earn better grades

ARE LEARNING COMMUNITY COURSES TRANSFERABLE?

Many of the courses are transferable to CSUs and/or UCs. See the Schedule of Classes, the Cerritos College Catalog, or meet with a counselor to check specific courses.

WHAT ARE THE REQUIREMENTS TO ENROLL?

The only requirements to enroll in a Learning Community are that you:

- a) meet the prerequisites for all courses and
- b) enroll in all courses listed for that Learning Community.

The prerequisites are listed in the Cerritos College Catalog and must be met prior to enrollment.

HOW WILL LEARNING COMMUNITY COURSES BE LISTED ON MY TRANSCRIPT?

Your transcript will reflect the classes as separate courses.

QUESTIONS

If you have questions about the Learning Communities Program (LCP), please call (562) 860-2451, ext. 2782, or stop by the LCP Center located in the Multipurpose Building, room MP 100 A-F.





DISTANCE EDUCATION PROGRAM ONLINE COURSES

For complete course descriptions, see the regular course listings in the schedule of classes.

WHAT IS DISTANCE EDUCATION?

Distance Education takes place when a teacher and students are separated by physical distance. In place of traditional classroom delivery; voice, video, data, and print are used to bridge the instructional gap. Cerritos College offers online and hybrid courses (see definitions in next column). All courses carry full academic credit and their content is equivalent to what you would receive in a more traditional mode of delivery.

WHAT SKILLS ARE REQUIRED FOR ONLINE LEARNING?

In order to support student success in online classes, students and faculty should be aware of core skills and expectations that promote student achievement in an online learning environment. For students who are interested in taking an online class for the first time, please refer to the Student Success Center in the LRC for assistance, or contact the instructor of the course directly. Students should consider taking a one-unit course: EDT 50: Preparation for Online Learning.

Necessary Student Skills:

1. Basic Computer skills (send and receive email and attachments; download files; fundamentals of file management; search and navigate the Internet using a browser)
2. Awareness of institutional support services (Student Success Centers)
3. Successful completion of prerequisite coursework
4. Organizational skills
5. Reading comprehension
6. Writing skills
7. Communication skills
8. Time-management skills
9. Proficiency in any adaptive computing software/hardware needed to access the online course material when there is a disability-related barrier
10. Recommended completion of online orientation (such as EDT 50) or equivalent preparation
11. Familiarity with college course management system (such as Canvas)

Student Learning Expectations:

1. Motivated and focused
2. Awareness of online expectations, environment and workload
3. Autonomous, self-motivated learner
4. Positive attitude toward technology
5. Intention to complete the course
6. Ability to work independently
7. Ability to work as a group member
8. Having the confidence to follow directions and to ask for assistance

Before registering for any online course, you should make sure that you have proficient skills in basic computing, web browsing, email, and word processing. Your instructor will not teach these skills as part of the course content. If you do not possess these skills, you may want to enroll in EDT 50: Preparation for Online Learning, or CIS 50: Basic Computer Literacy.

WHAT ARE THE TYPES OF ONLINE INSTRUCTION?

Online courses occur online. Some instructors may require on-campus attendance for orientation, test-taking, or to satisfy other course requirements. Access to email and the Internet are required to complete work using email, chat rooms, discussion boards, and other instructional tools. Online courses are designated as OL in the published class schedule.

Hybrid courses include the combination of traditional in-class instruction with online instruction. Therefore, students will be required to attend on-campus meetings as scheduled by the instructor, as well as complete work using email, the campus course management system (Canvas) and/or chat rooms, discussion boards, and other instructional tools. These courses are designated as HYBRID in the published class schedule.

ENROLLING IN AN ONLINE COURSE?

Students enroll in online sections in the same manner as regular classes. Consult the general enrollment procedures in this schedule for more information.

ACCESSING ONLINE AND HYBRID COURSES:

Once you are enrolled in a class, go to the Canvas website, www.cerritos.edu/canvas, and log on with your username and password.

Username: This is your 7-digit student ID number. Example: John Smith, ID #1234567. Your ID number, 1234567, is your username.

Password: Your initial password is your 8-digit date of birth in the "mmddyyyy" format. Example: John Smith's date of birth is May 30, 1990. His password would be 05301990.

ONLINE ORIENTATION:

There is also an online general orientation for all online courses. Go to www.cerritos.edu/de. Some instructors give on-campus orientations. Check course listings for information. **You must attend any mandatory orientations and/or contact your instructor prior to the 1st week of class or you may be dropped.** If the orientation for an online class conflicts with a class that meets on campus, you must attend the on-campus class and notify the online instructor about the conflict in advance.

FOR INFORMATION CONTACT THE SUCCESS CENTER

Phone: (562) 860-2451, x2404 or (562) 653-7891

Email: de-info@cerritos.edu or visit the DE home page at: <http://www.cerritos.edu/de>

DISTANCE EDUCATION COURSES

ONLINE COURSES

Most work and communications occur online. Access to email and the Internet is required. Orientations are mandatory.

ACCOUNTING

21945	ACCT 60	Quickbooks Accounting
21950	ACCT 61	Turbo Tax Accounting
21951	ACCT 61	Turbo Tax Accounting
23561	ACCT 100	Introduction to Accounting
21911	ACCT 100	Introduction to Accounting
21940	ACCT 133	Spreadsheet Accounting I
21938	ACCT 133	Spreadsheet Accounting I
28138	ACCT 220	Accounting Ethics
29090	ACCT 250	Income Tax Accounting
27768	ACCT 270	Fundamentals of Auditing

ADMINISTRATION OF JUSTICE

20044	AJ 101	Introduction to Administration of Justice
-------	--------	---

ANTHROPOLOGY

23870	ANTH 115	Physical Anthropology
29092	ANTH 115	Physical Anthropology

ARCHITECTURE

28944	ARCH 110	Introduction to Architecture and Environmental Design
-------	----------	---

ART AND DESIGN

28217	ART 100	Introduction to World Art
22534	ART 101	Art History I: Prehistory to Gothic
26174	ART 102	Art History II: Renaissance to Rococo
27402	ART 105A	The Arts of Latin America and the Caribbean: Pre-Columbian
27690	ART 118	History of Women in Visual Arts
20082	ART 192	Photoshop/Digital Imaging
20981	ART 192	Photoshop/Digital Imaging
26180	ART 192	Photoshop/Digital Imaging
26181	ART 192	Photoshop/Digital Imaging

ASTRONOMY

20088	ASTR 103	Introductory Astronomy: The Solar System
21254	ASTR 103	Introductory Astronomy: The Solar System
22394	ASTR 103	Introductory Astronomy: The Solar System

BUSINESS ADMINISTRATION

26054	BA 100	Fundamentals of Business
27445	BA 100	Fundamentals of Business
26210	BA 100	Fundamentals of Business
20646	BA 100	Fundamentals of Business
25586	BA 100	Fundamentals of Business
26211	BA 100	Fundamentals of Business
22849	BA 101	International Business
25354	BA 101	International Business
26993	BA 104	Managing Cultural Diversity
26992	BA 104	Managing Cultural Diversity
21790	BA 104	Managing Cultural Diversity
29094	BA 106	Human Resource Management
24099	BA 106	Human Resource Management
26997	BA 106	Human Resource Management
26047	BA 106	Human Resource Management

22123	BA 106	Human Resource Management
27142	BA 106	Human Resource Management
23569	BA 106	Human Resource Management
26781	BA 106	Human Resource Management
25588	BA 107	Human Relations in Business
23770	BA 107	Human Relations in Business
23571	BA 107	Human Relations in Business
23570	BA 107	Human Relations in Business
24420	BA 107	Human Relations in Business
26749	BA 107	Human Relations in Business
29447	BA 107	Human Relations in Business
27420	BA 107	Human Relations in Business
26086	BA 107	Human Relations in Business
28769	BA 107	Human Relations in Business
27766	BA 108	Labor Management Relations
28277	BA 109	Human Resource Development
27767	BA 109	Human Resource Development
27421	BA 110	Advertising
21773	BA 113	Legal Environment of Business
22851	BA 113	Legal Environment of Business
25589	BA 113	Legal Environment of Business
26212	BA 113	Legal Environment of Business
27422	BA 113	Legal Environment of Business
20098	BA 114	Marketing
22124	BA 114	Marketing
27447	BA 114	Marketing
22854	BA 114	Marketing
27424	BA 114	Marketing
20650	BA 114	Marketing
26050	BA 114	Marketing
27761	BA 114	Marketing
20651	BA 115	Management-Business
27426	BA 115	Management-Business
24985	BA 115	Management-Business
23573	BA 115	Management-Business
22063	BA 115	Management-Business
23574	BA 115	Management-Business
24421	BA 115	Management-Business
27448	BA 115	Management-Business
26215	BA 118	Retail Management
22852	BA 118	Retail Management
24412	BA 118	Retail Management
27762	BA 118	Retail Management
29095	BA 118	Retail Management
29096	BA 118	Retail Management
22551	BA 120	Management-Accounting and Internal Control
25590	BA 120	Management-Accounting and Internal Control
26216	BA 120	Management-Accounting and Internal Control
26218	BA 120	Management-Accounting and Internal Control
27763	BA 120	Management-Accounting and Internal Control
20099	BA 121	Sales
28285	BA 121	Sales
29098	BA 124	Fundamentals of Training
26545	BA 132	Computer Applications for Managers
22554	BA 132	Computer Applications for Managers
22553	BA 132	Computer Applications for Managers
25158	BA 132	Computer Applications for Managers
27764	BA 132	Computer Applications for Managers
27765	BA 132	Computer Applications for Managers
29448	BA 132	Computer Applications for Managers
27285	BA 152	Fundamentals of Importing and Exporting
21774	BA 153	Small Business Management
27427	BA 153	Small Business Management
26055	BA 155	Introduction to Global Logistics
25592	BA 156	Motivational Presentation Skills for Managers
22287	BA 156	Motivational Presentation Skills for Managers
23771	BA 156	Motivational Presentation Skills for Managers
26737	BA 156	Motivational Presentation Skills for Managers
27145	BA 156	Motivational Presentation Skills for Managers
29097	BA 156	Motivational Presentation Skills for Managers
22661	BA 157	Principles of Public Relations
23585	BA 204	Project Management
23586	BA 205	Organizational Leadership
22549	BA 208	Leadership for Women in Business

DISTANCE EDUCATION COURSES (CONTINUED)

25738	BA 208	Leadership for Women in Business
26221	BA 208	Leadership for Women in Business

BUSINESS COMMUNICATIONS OFFICE TECHNOLOGY

22856	BCOT 60	Customer Service/Telephone Techniques
21346	BCOT 62	Computer Keyboarding
21347	BCOT 62	Computer Keyboarding
21488	BCOT 63	Keyboarding Speed/Control Building
21489	BCOT 63	Keyboarding Speed/Control Building
27728	BCOT 63	Keyboarding Speed/Control Building
27729	BCOT 63	Keyboarding Speed/Control Building
29274	BCOT 81	Legal Office Procedures
29413	BCOT 81	Legal Office Procedures
29114	BCOT 96	Microsoft PowerPoint
29115	BCOT 96	Microsoft PowerPoint
21350	BCOT 97	Microsoft Outlook
21351	BCOT 97	Microsoft Outlook
21357	BCOT 112	Microsoft Word
21358	BCOT 112	Microsoft Word
29116	BCOT 114	Introduction to Microsoft Office
29117	BCOT 114	Introduction to Microsoft Office
25602	BCOT 150	International Business Communication
26202	BCOT 162	Business Spelling and Proofreading Skills
25410	BCOT 247	Managerial Business Communications

CHILD DEVELOPMENT

22182	CD 110	Child Development
29279	CD 139	Observation, Assessment, and Positive Guidance of Childhood Behavior

COMPUTER AND INFORMATION SCIENCES

27672	CIS 58A	PC Operating System A+ Certification
27673	CIS 58A	PC Operating System A+ Certification
29359	CIS 58A	PC Operating System A+ Certification
29360	CIS 58A	PC Operating System A+ Certification
29361	CIS 58B	PC Core Hardware A+ Certification
29362	CIS 58B	PC Core Hardware A+ Certification
23987	CIS 101	Introduction to Computer Information Systems
23988	CIS 101	Introduction to Computer Information Systems
27676	CIS 101	Introduction to Computer Information Systems
27677	CIS 101	Introduction to Computer Information Systems
27680	CIS 101	Introduction to Computer Information Systems
27681	CIS 101	Introduction to Computer Information Systems
21225	CIS 101	Introduction to Computer Information Systems
21226	CIS 101	Introduction to Computer Information Systems
28989	CIS 101	Introduction to Computer Information Systems
28990	CIS 101	Introduction to Computer Information Systems
26881	CIS 101	Introduction to Computer Information Systems
26882	CIS 101	Introduction to Computer Information Systems
26906	CIS 101	Introduction to Computer Information Systems
26907	CIS 101	Introduction to Computer Information Systems
20673	CIS 101	Introduction to Computer Information Systems
21139	CIS 101	Introduction to Computer Information Systems
25378	CIS 101	Introduction to Computer Information Systems
25379	CIS 101	Introduction to Computer Information Systems
26788	CIS 101	Introduction to Computer Information Systems
26789	CIS 101	Introduction to Computer Information Systems
22332	CIS 101	Introduction to Computer Information Systems
22333	CIS 101	Introduction to Computer Information Systems
22694	CIS 101	Introduction to Computer Information Systems
22695	CIS 101	Introduction to Computer Information Systems
23989	CIS 101	Introduction to Computer Information Systems
23990	CIS 101	Introduction to Computer Information Systems
25188	CIS 101	Introduction to Computer Information Systems
25189	CIS 101	Introduction to Computer Information Systems
20674	CIS 102	Introduction to Microcomputer Hardware and Applications Software
21140	CIS 102	Introduction to Microcomputer Hardware and Applications Software

24104	CIS 103	Computer Programming Logic
24105	CIS 103	Computer Programming Logic
20676	CIS 103	Computer Programming Logic
21142	CIS 103	Computer Programming Logic
25183	CIS 103	Computer Programming Logic
25184	CIS 103	Computer Programming Logic
28997	CIS 151	Microsoft Excel for Information Systems/Information Technology
28998	CIS 151	Microsoft Excel for Information Systems/Information Technology
26885	CIS 155	Microsoft Access
26886	CIS 155	Microsoft Access
26363	CIS 160	Web Page Development
26364	CIS 160	Web Page Development
24321	CIS 162	HTML and CSS
24322	CIS 162	HTML and CSS
24307	CIS 170A	Networking Fundamentals
24308	CIS 170A	Networking Fundamentals
24311	CIS 170B	Network + Certification
24312	CIS 170B	Network + Certification
24315	CIS 170F	Advanced Switching and Routing
24316	CIS 170F	Advanced Switching and Routing
24317	CIS 170G	Wide Area Networks
24318	CIS 170G	Wide Area Networks
26367	CIS 170H	TCP/IP Fundamentals
29001	CIS 170I	Cisco Network Security
29002	CIS 170I	Cisco Network Security
24305	CIS 170L	Cybersecurity Fundamentals
24306	CIS 170L	Cybersecurity Fundamentals
25720	CIS 183	Java Programming
25721	CIS 183	Java Programming
21750	CIS 201	Systems Analysis and Design
21751	CIS 201	Systems Analysis and Design
28282	CIS 212	Introduction to Microsoft Windows Administration
28283	CIS 212	Introduction to Microsoft Windows Administration
28737	CIS 213F	Microsoft Windows Server Administration
28738	CIS 213F	Microsoft Windows Server Administration
24331	CIS 288	Mobile Application Development
24332	CIS 288	Mobile Application Development

COUNSELING

26347	COUN 200	Success in College and Career
22306	COUN 200	Success in College and Career
25033	COUN 200	Success in College and Career

DANCE

21800	DANC 100	Dance Appreciation
22679	DANC 100	Dance Appreciation
27555	DANC 100	Dance Appreciation
28158	DANC 100	Dance Appreciation
28735	DANC 100	Dance Appreciation
22083	DANC 100	Dance Appreciation
26742	DANC 100	Dance Appreciation
28682	DANC 100	Dance Appreciation
28924	DANC 100	Dance Appreciation
27703	DANC 101	History of Dance

EARTH SCIENCE

20697	ESCI 104	Oceanography
27955	ESCI 104	Oceanography
29363	ESCI 106	Weather and Climate

ECONOMICS

22882	ECON 101	Economic Issues and Policy
21837	ECON 201	Principles of Macroeconomics
21838	ECON 201	Principles of Macroeconomics
27256	ECON 201	Principles of Macroeconomics
27257	ECON 201	Principles of Macroeconomics
27730	ECON 201	Principles of Macroeconomics

DISTANCE EDUCATION COURSES (CONTINUED)

27731	ECON 201	Principles of Macroeconomics
24444	ECON 201M	Principles of Macroeconomics
24445	ECON 201M	Principles of Macroeconomics
27258	ECON 201M	Principles of Macroeconomics
27259	ECON 201M	Principles of Macroeconomics
27732	ECON 201M	Principles of Macroeconomics
27733	ECON 201M	Principles of Macroeconomics
23776	ECON 202	Principles of Microeconomics
23777	ECON 202	Principles of Microeconomics
27734	ECON 202	Principles of Microeconomics
27735	ECON 202	Principles of Microeconomics
27738	ECON 202	Principles of Microeconomics
27739	ECON 202	Principles of Microeconomics
27740	ECON 202M	Principles of Microeconomics
27741	ECON 202M	Principles of Microeconomics
23778	ECON 202M	Principles of Microeconomics
23779	ECON 202M	Principles of Microeconomics
27736	ECON 202M	Principles of Microeconomics
27737	ECON 202M	Principles of Microeconomics

EDUCATION

29123	EDEL 100	Introduction to Teaching and Learning in Diverse Contemporary Classrooms
-------	----------	--

EDUCATIONAL TECHNOLOGY (EDTCH)

29100	EDT 116	Information Literacy for Educators
21249	EDT 125	Fundamentals of Online Teaching

ENGINEERING DESIGN TECHNOLOGY

28411	ENGT 116	Blueprint Reading
28412	ENGT 116	Blueprint Reading
26136	ENGT 117	Geometrical Dimensioning and Tolerancing
24245	ENGT 259	Solidworks Introduction
24246	ENGT 259	Solidworks Introduction

ENGLISH

20185	ENGL 100	Freshman Composition
20191	ENGL 100	Freshman Composition
20688	ENGL 100	Freshman Composition
20689	ENGL 100	Freshman Composition
22345	ENGL 100	Freshman Composition
20198	ENGL 100	Freshman Composition
24542	ENGL 100	Freshman Composition
25969	ENGL 100	Freshman Composition
28768	ENGL 100	Freshman Composition
28816	ENGL 100	Freshman Composition
23466	ENGL 100	Freshman Composition
28236	ENGL 100	Freshman Composition
28817	ENGL 100	Freshman Composition
22346	ENGL 100	Freshman Composition
21781	ENGL 100	Freshman Composition
25191	ENGL 100	Freshman Composition
22585	ENGL 103	Critical and Argumentative Writing
21237	ENGL 103	Critical and Argumentative Writing
26408	ENGL 103	Critical and Argumentative Writing
21474	ENGL 103	Critical and Argumentative Writing
21476	ENGL 103	Critical and Argumentative Writing
25480	ENGL 107	Vocabulary Building
26293	ENGL 222	Children's Literature
25481	ENGL 228	Shakespeare's Plays

ENGLISH AS A SECOND LANGUAGE

25626	ESL 11	ESL Reading 1
23479	ESL 14	Pronunciation Plus
28008	ESL 21B	ESL Advanced Vocabulary
25629	ESL 31	ESL Reading 2

FINANCE

21957	FIN 125	Personal Finance
22127	FIN 125	Personal Finance
21956	FIN 125	Personal Finance
27371	FIN 125	Personal Finance
27442	FIN 125	Personal Finance
28284	FIN 125	Personal Finance

GEOGRAPHY

23821	GEOG 102	Cultural Geography
27658	GEOG 105	World Regional Geography

HEALTH EDUCATION

20856	HED 100	Contemporary Health Problems
20249	HED 100	Contemporary Health Problems
22710	HED 100	Contemporary Health Problems
24492	HED 100	Contemporary Health Problems
24493	HED 100	Contemporary Health Problems
20257	HED 100	Contemporary Health Problems
25072	HED 100	Contemporary Health Problems
20901	HED 100	Contemporary Health Problems
21314	HED 100	Contemporary Health Problems
27579	HED 100	Contemporary Health Problems
26741	HED 100	Contemporary Health Problems
28926	HED 100	Contemporary Health Problems
29296	HED 105	Mind, Body, and Health
29297	HED 202	Health Systems and Perspectives

HISTORY

27007	HIST 102	Political and Social History of the United States: 1500s to 1876
27268	HIST 102	Political and Social History of the United States: 1500s to 1876
27269	HIST 102	Political and Social History of the United States: 1500s to 1876
27008	HIST 103	Political and Social History of the United States: 1877 to Present
24461	HIST 103	Political and Social History of the United States: 1877 to Present
24462	HIST 103	Political and Social History of the United States: 1877 to Present

JOURNALISM

27034	JOUR 100	Mass Communications and Society
-------	----------	---------------------------------

KINESIOLOGY

27090	KIN 100	Introduction to Kinesiology
27994	KIN 100	Introduction to Kinesiology
27995	KIN 100	Introduction to Kinesiology
28511	KIN 100	Introduction to Kinesiology
28925	KIN 100	Introduction to Kinesiology
24645	KIN 104	Fitness and Wellness
27287	KIN 108	Women in Sports
27401	KIN 108	Women in Sports

LAW

25412	LAW 110	Business Law
26748	LAW 111	Business Law

DISTANCE EDUCATION COURSES (CONTINUED)

MACHINE TOOL TECHNOLOGY

25533 MTT 56 CNC Shop Inspection

27933 PSYC 101 General Introductory Psychology
29412 PSYC 101 General Introductory Psychology
20519 PSYC 241 Introduction to Psychobiology

MATHEMATICS

27059 MATH 60 Elementary Algebra
26045 MATH 60 Elementary Algebra
26923 MATH 80 Intermediate Algebra
24341 MATH 80 Intermediate Algebra
27340 MATH 80 Intermediate Algebra
24346 MATH 112 Elementary Statistics
29038 MATH 112 Elementary Statistics
29039 MATH 112 Elementary Statistics
25895 MATH 114 College Algebra
22391 MATH 114 College Algebra
29439 MATH 114 College Algebra
29440 MATH 114 College Algebra

READING

29351 READ 49 Introduction to College Reading
23928 READ 54 Advanced College Reading
21653 READ 200 Analysis and Critical Reading
29241 READ 200 Analysis and Critical Reading

REAL ESTATE

21962 RE 101 Real Estate Principles
21971 RE 101 Real Estate Principles
27450 RE 101 Real Estate Principles
21972 RE 130 Real Estate Practice

MEDICAL ASSISTANT

21341 MA 161 Medical Terminology
24196 MA 161 Medical Terminology

SOCIOLOGY

24479 SOC 101 Introductory Sociology Principles
29128 SOC 202 Gender and Society

MUSIC

27048 MUS 100 Music Appreciation
20363 MUS 101 Introduction to World Music
21860 MUS 104B History of Rock Music
25998 MUS 104B History of Rock Music
22128 MUS 104B History of Rock Music
20365 MUS 105 Music Fundamentals
27692 MUS 105 Music Fundamentals

SPANISH

20836 SPAN 245 Introduction to Chicano/Mexican American Culture

NEW PRODUCT DEVELOPMENT

27943 NPD 103 Tooling and Materials for New Product Development

SPEECH

27468 SPCH 100 Introduction to Communications Studies
29244 SPCH 100 Introduction to Communications Studies
29245 SPCH 100 Introduction to Communications Studies
29246 SPCH 100 Introduction to Communications Studies
29247 SPCH 100 Introduction to Communications Studies
25632 SPCH 110 Intercultural Communication
25633 SPCH 110 Intercultural Communication
29249 SPCH 115 Gender, Communication, and the Digital Revolution
28151 SPCH 115 Gender, Communication, and the Digital Revolution
24623 SPCH 200 Contemporary Communication Topics
21658 SPCH 235 Argumentation, Persuasion, and Critical Thinking

PHILOSOPHY

28033 PHIL 102 Introduction to Ethics
28034 PHIL 102 Introduction to Ethics
20474 PHIL 104 Philosophy of Cultural Diversity: Challenge and Change

THEATRE ARTS

23858 TH 101 Introduction to the Theatre
21290 TH 101 Introduction to the Theatre
27416 TH 101 Introduction to the Theatre
20839 TH 101 Introduction to the Theatre
27417 TH 101 Introduction to the Theatre
20958 TH 150 Appreciation and History of the Motion Picture
21291 TH 150 Appreciation and History of the Motion Picture

POLITICAL SCIENCE

23786 POL 101 American Political Institutions
20491 POL 101 American Political Institutions
20492 POL 101 American Political Institutions
23787 POL 101 American Political Institutions
20793 POL 101 American Political Institutions
20795 POL 101 American Political Institutions
20935 POL 101 American Political Institutions
21275 POL 101 American Political Institutions
21276 POL 101 American Political Institutions
23875 POL 101 American Political Institutions
23994 POL 101 American Political Institutions

WOMEN'S AND GENDER STUDIES

20606 WGS 101 Issues for Women in American Society
27286 WGS 108 Women in Sports
27400 WGS 108 Women in Sports
29109 WGS 115 Gender, Communication, and the Digital Revolution
28198 WGS 115 Gender, Communication, and the Digital Revolution
29111 WGS 118 History of Women in Visual Arts
29436 WGS 118 History of Women in Visual Arts
26384 WGS 208 Leadership for Women in Business
26385 WGS 208 Leadership for Women in Business
26386 WGS 208 Leadership for Women in Business

PSYCHOLOGY

27931 PSYC 101 General Introductory Psychology
22443 PSYC 101 General Introductory Psychology
29103 PSYC 101 General Introductory Psychology
21731 PSYC 101 General Introductory Psychology
27932 PSYC 101 General Introductory Psychology

SEXUAL AND GENDER-BASED MISCONDUCT

POLICY ON AFFIRMATIVE CONSENT, SEXUAL ASSAULT, AND TITLE IX

Cerritos College is committed to providing a safe and secure environment for all members of the campus community. Board Policy and Administrative Procedure 3540: Sexual and Other Assaults on Campus, operationalize relevant State and Federal Laws. These cover sexual assaults including rape, sexual battery, and threat of sexual assault; dating violence; domestic violence; stalking; and failure to have affirmative consent. District response including claimant options, victim resources, case investigation, and administrative and law enforcement response are provided in Administrative Procedure 3540. Any student or employee who becomes a victim of sexual violence, dating violence, domestic violence, or stalking is encouraged to report the matter immediately to Dr. Valynica C. Raphael, District Title IX Coordinator in the Office of Human Resource Services. The phone number for the Title IX Coordinator is (562) 860-2451, ext. 2276, and the email address is TitleIXcoordinator@cerritos.edu. Additional information is available at <https://www.cerritos.edu/title-ix>.

The District is dedicated to providing prompt and compassionate services. In the event of an incident, Student Health Services will provide confidential support services and direction. The phone number for Student Health Services is (562) 860-2451, ext. 2321.

For more information, please see Board Policy 3540 and Administrative Procedure 3540: Sexual and Other Assaults on Campus. This Policy and Procedure are on the Board Policy web page at: <http://www.cerritos.edu/board/policies>.

AFFIRMATIVE CONSENT POLICY

Board Policy 3540 and 5500 define “affirmative consent” as affirmative, conscious, and voluntary agreement to engage in sexual activity. Lack of protest or resistance does not mean consent, nor does silence mean consent. Affirmative consent must be ongoing throughout a sexual activity and can be revoked at any time. The existence of a dating relationship between the persons involved, or the fact of past sexual relations between them, should never by itself be assumed to be an indicator of consent. People under 18 years old; incapacitated by drugs, alcohol, or medication; asleep, unconscious or otherwise unable to understand the fact, nature, or extent of the sexual activity cannot give consent. Failure, as a person involved in sexual activity, to ensure mutual, affirmative consent throughout sexual activity constitutes good cause for discipline, including but not limited to the removal, suspension, or expulsion of a student.

Information about violators of this policy are encouraged to report this matter immediately to the Director of Diversity, Compliance, and Title IX Coordinator in the Office of Human Resources or the Campus Police. The number for the Campus Police is (562) 860-2451, ext. 2325.

SEXUAL HARASSMENT

It is the policy of the Cerritos Community College District to provide an educational, employment, and business environment free of unwelcome sexual advances, requests or offers for sexual favors, and other verbal or physical conduct or communications constituting sexual harassment, as defined and otherwise prohibited by federal and state statutes and Board Policy.

The Board of Trustees and the President-Superintendent have provided regulations and procedures to implement this policy and the regulations and procedures are included as a part of the District's Equal Employment Opportunity Plan and Board Policy.

It is a violation of Board Policy for anyone who is authorized to recommend or take personnel or academic actions affecting an employee or student, or who is otherwise authorized to transact business or perform other acts or services on behalf of the Cerritos Community College District, to engage in sexual harassment as defined in Board Policy or as described below.

Sexual harassment occurs when unwelcome sexual advances, requests for sexual favors and other verbal or physical conduct of a sexual nature takes place and:

1. Is made explicitly or implicitly a term or condition of an individual's educational status or employment; or
2. Is used as a basis for educational or employment decisions affecting such individual; or
3. Has the purpose or effect of unreasonably interfering with an individual's work performance or creating an intimidating, hostile or offensive educational or working environment; or
4. Is used as the basis for any decision affecting the individual regarding benefits, services, honors, programs, or activities available at or through the District. Informal and formal complaints under this policy shall be processed through the District's Administrative Procedure 3435: Discrimination and Harassment Investigations, through the Director of Diversity, Compliance, and Title IX Coordinator. The District's Policies and Procedures are available on the website at <http://www.cerritos.edu/board/policies>.

// Stay Falcon Safe! //

We are Falcons! We always keep our nest safe and look out for each other.

<p>IF YOU ARE EXPERIENCING</p> <ul style="list-style-type: none">• Stalking• Bullying, verbal or written threats• Cyberbullying• Dating or domestic violence• Sexual or physical assault	<p>HELP IS AVAILABLE</p> <p>Dial 562-860-2451 plus the extension below:</p> <p>On-Campus Resources</p> <ul style="list-style-type: none">• Student Health Services: Ext. 2321• Campus Police: 911 or Ext. 3076• Student Conduct and Grievances: Ext. 2473• Title IX, including Sexual Harassment: Ext. 2276• Bicycle Safety and Theft Prevention: Ext. 3076
---	--

NOTIFICATION OF RIGHTS UNDER FERPA

The Family Educational Rights and Privacy Act (FERPA) affords students certain rights with respect to their education records. These rights include:

- 1) The right to inspect and review the student's education records within 45 days of the day the College receives a request for access.

A student should submit to the registrar or designee a written request that identifies the record(s) the student wishes to inspect. The registrar will make arrangements for access and notify the student of the time and place where the records may be inspected. If the records are not maintained by the registrar, the registrar shall advise the student of the correct official to whom the request should be addressed.

- 2) The right to request the amendment of the student's education records that the student believes are inaccurate, misleading, or otherwise in violation of the student's privacy rights under FERPA.

A student who wishes to ask the College to amend a record should write the registrar, clearly identify the part of the record the student wants changed, and specify why it should be changed.

If the College decides not to amend the record as requested, the College will notify the student in writing of the decision and the student's right to a hearing regarding the request for amendment. Additional information regarding the hearing procedures will be provided to the student when notified of the right to a hearing.

- 3) The right to provide written consent before the College discloses personally identifiable information from the student's education records, except to the extent that FERPA authorizes disclosure without consent.

The College discloses education records without a student's prior written consent under the FERPA exception for disclosure to school officials with legitimate educational interests. A school official is a person employed by the College in an administrative, supervisory, academic or research, or support staff position (including law enforcement unit personnel and health staff); a person or company with whom the College has contracted as its agent to provide a service instead of using College employees or officials (such as an attorney, auditor, or collection agent); or a student serving on an official committee, such as a disciplinary or grievance committee, or assisting another school official in performing his or her tasks.

A school official has a legitimate educational interest if the official needs to review an education record in order to fulfill his or her professional responsibilities for the College. The College may also disclose education records without consent to officials of another school in which a student seeks or intends to enroll.

- 4) The right to file a complaint with the U.S. Department of Education concerning alleged failures by the College to comply with the requirements of FERPA. The name and address of the office that administers FERPA is:

Family Policy Compliance Office
U.S. Department of Education
400 Maryland Avenue, SW
Washington, DC 20202-5901

DIRECTORY INFORMATION

Cerritos College will not release personal data about students without their prior written consent except to persons and agencies authorized by law. The college may make an exception to legitimate inquiries, by providing general directory information to include: name • major field of study • class level • dates of attendance • degrees and awards received • participation in officially recognized activities and sports • weight and height of members of athletic teams, and • previous educational institutions attended.

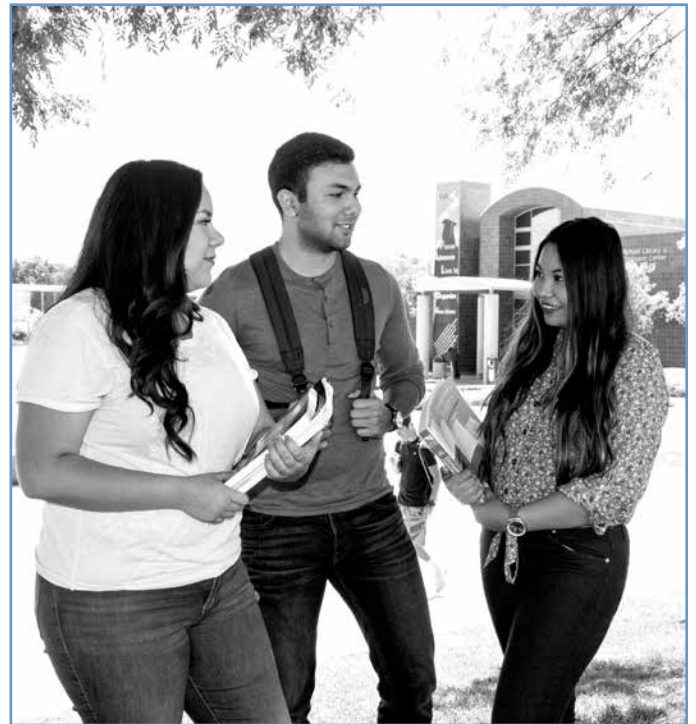
STUDENT RECORDS CONSENT

Cerritos College may permit access to student records to any person for whom the student has executed written consent specifying the records to be released and identifying the party or parties to whom the records may be released. Such consent must be signed and dated by the student. The recipient must be notified that the transmission of the information to others is prohibited (California Administrative Regulations, Title 5, Section 54616).

WITHHOLDING OF STUDENT RECORDS

Student records may be withheld pending satisfaction of certain requirements, per Board Policy and Administrative Procedure 5035.

Reference: Board Policy and Administrative Procedure 5040



GENERAL EDUCATION REQUIREMENTS FOR THE ASSOCIATE DEGREE AND FOR TRANSFER TO THE CALIFORNIA STATE UNIVERSITY AND UNIVERSITY OF CALIFORNIA

Requirements for the Associate in Arts (A.A.) Degree at Cerritos College can be met in one of three different ways: Plan A, B, or C.

PLAN A is designed primarily for those students interested in preparing for a vocational career upon graduation. Plan A may also be used by university transfer students and for students in vocational majors who may possibly wish to transfer in the future; however, there are courses listed under Plan A that are not transferable for general education credit to the four-year universities. Therefore, students wishing to use this option should see a Cerritos College counselor for advice in selecting the A.A. General Education plan that, in combination with a major, will best match their educational and career goals. Please see the Plan A degree description page for further details.

PLAN B is designed primarily for students who will transfer to a California State University (CSU) campus and are not interested in attending a University of California campus. Students may use this plan to combine completion of both the Associate in Arts general education requirements, and the California State University (CSU) General Education Certification pattern. Students should see a counselor for advice on selecting the A.A. General Education plan that, in combination with a major, will best match their educational and career goals. Please see the Plan B degree description page for further details.

PLAN C is designed primarily for students who intend to transfer to the University of California (UC), or who are undecided between transferring to the University of California or the California State University. Students may use this plan to combine completion of both the A.A. degree general education requirements and the Intersegmental General Education Transfer Curriculum (IGETC) requirements. Plan C may not be recommended for some majors at certain CSU or UC campuses. Please see the Plan C description page for further details.

The significant differences between Plan A, Plan B, and Plan C are:

Plan A requires the completion of a minimum of 18 units of identified general education courses and requirements and a minimum of 18 units of specified “major” courses, as well as proficiency requirements and electives if necessary, to total a minimum of 60 degree applicable units.

Plan B requires a minimum of 39 units of identified CSU general education courses and requirements plus specified major courses, the health and wellness proficiency requirement, and elective courses if necessary, for a minimum of 60 degree applicable units.

If a student only wishes to transfer at an upper division level and is not seeking an A.A. degree, a minimum of 60 CSU transferable units is required (see transfer requirements for CSU and your counselor).

Plan C requires a minimum of 34 (UC) or 37 (CSU) units of identified general education courses and requirements plus specified major courses, the health and wellness proficiency requirement, and electives if necessary, to total a minimum of 60 degree applicable units.

If a student only wishes to transfer at an upper division level and is not seeking an A.A. degree, a minimum of 60 UC transferable units is required (see IGETC, UC transfer requirements, and your counselor).

There are important differences among the three plans. In order to select the plan that best meets each individual’s A.A. and transfer goals, students should see a Cerritos College counselor.



GENERAL EDUCATION REQUIREMENTS FOR THE ASSOCIATE DEGREE

Associate in Arts Degree General Education 2019-20 Plan A Degree and/or Career Option

A total of 60 degree applicable units, including the following requirements, must be completed to qualify for the A.A. degree:

1. MAJOR PROGRAM REQUIREMENTS:
Complete all requirements for the chosen major program under "Major Requirements" in the Cerritos College Catalog.
 2. MATHEMATICS PROFICIENCY REQUIREMENT:
This requirement can be met by one of the following options:
 - a. Completion of MATH 80 or MATH 80B or MATH 75 or equivalent with a grade of "C" or higher or "Pass".
 - b. Completion of high school Algebra 2 or Integrated Math 3 with a grade of "C" or higher. Documentation is required.
 - c. For other options, see your counselor.
 3. READING PROFICIENCY REQUIREMENT:
This requirement can be met by one of the following options:
 - a. Completion of READ 54 or READ 97 or READ 102 or equivalent with a grade of "C" or higher or "Pass".
 - b. For other options, see your counselor.
 4. WRITING PROFICIENCY REQUIREMENT:
Completion of ENGL 100 or ENGL 100S equivalent with a grade of "C" or higher or "Pass".
 5. HEALTH AND WELLNESS PROFICIENCY REQUIREMENT:
This requirement can be met by one of the of the following options:
 - a. Completion with a grade of Pass, or "C", or higher of at least one unit of a course from the approved department list below:
Athletics 200L, 201LA, 201LB, 201LC, 202L, 203LA, 203LB, 203LC, 204L, 205LA, 205LB, 205LC, 205LD, 205LE, 206L, 207LA, 207LB, 207LC, 208L, 209LA, 209LB, 209LC, 210L, 211LA, 211LB, 211LC, 212L, 213LA, 213LB, 213LC, 214L, 215LA, 215LB, 215LC, 216L, 217LA, 217LB, 217LC, 218L, 219LA, 219LB, 219LC, 220L, 221LA, 221LB, 221LC, 221LD, 222L, 223LA, 223LB, 223LC, 223LD, 224L, 225LA, 225LB, 225LC, 225LD, 226L, 227LA, 227LB, 227LC, 228L, 229LA, 229LB, 229LC, 230L, 231LA, 231LB, 231LC, 232L, 233LA, 233LB, 233LC, 234L, 235LA, 235LB, 235LC, 235LD, 236L, 237LA, 237LB, 237LC, 240, 241, 242
Kinesiology 100, 102, 104, 106, 120, 121, 122, 123, 130, 131, 132, 133, 134, 200, 202, 203, 206, 207, 210
Physical Education Exercise 100, 100A, 101, 102, 103, 103A, 104, 105, 106, 106A, 107, 107A, 108, 109, 110, 111, 112, 113, 116, 117, 118, 119, 120, 121, 122, 124, 126, 130, 132, 134, 135, 136, 138, 139, 140, 141, 142, 145, 147, 148, 149, 150, 151, 152, 153, 155, 156, 157, 161, 162, 163, 165, 166, 167, 169, 170, 171, 172, 176, 177, 178, 179, 181, 184, 185, 186, 188, 189, 191, 192, 194, 240, 245, 246, 249, 261, 263, 265, 266, 267, 271, 272, 274, 276, 278, 281, 282, 284, 285, 288, 289, 291, 292
6. GENERAL EDUCATION REQUIREMENTS: PLAN A 18 UNITS
 - a. NATURAL SCIENCES: 3 UNITS MINIMUM FROM EITHER PHYSICAL SCIENCES OR BIOLOGICAL SCIENCES
 - (1) Physical Sciences
Astronomy 102, 103, 104, 105L (lab), 106
Chemistry 100 (lab), 110 (lab), 111 (lab), 112 (lab)
Earth Science 101, 102 (lab), 104, 104L (lab), 106, 110 (lab)
Energy 100
Geography 101, 101L (lab), 103
Geology 101 (lab), 102, 102L (lab), 103, 103L (lab), **105L (lab), 201 (lab), 204, 207 (lab), 208, 209
Physical Science 100, 112 (lab)
Physics 100 (lab), 101 (lab), 102 (lab), 201 (lab), 202 (lab), 203 (lab)
 - (2) Biological Sciences
Anatomy and Physiology 120 (lab), 150 (lab), 151 (lab), 200 (lab), 201 (lab)
Anthropology **110, 115, 115L (lab)
Biology 105, 110 (lab), 115 (lab), 120 (lab), 200 (lab), 201 (lab)
Botany 120 (lab)
Microbiology 200 (lab)
Psychology 241
Zoology 120 (lab)
 - b. SOCIAL AND BEHAVIORAL SCIENCES: 3 UNITS MINIMUM
NOTE: *Completion of a U.S. history or government course which fulfills the California State University requirement taken at any accredited institution may be used in lieu of the course requirement.*
One course from Section B1 or B2 is required.
 - (1) History 101, 102, 103
(This requirement can be met by successfully passing the College Board's Advanced Placement Exam, U.S. History. Unit credit is awarded for passing the AP exam option with a score of 3 or higher.)
 - (2) Political Science 101 or 201
(This requirement can be met by successfully passing the College Board's Advanced Placement exam, U.S. Government and Politics. Unit credit is awarded for passing the Advanced Placement exam option with a score of 3 or higher.)
 - (3) Social and Behavioral Sciences
Administration of Justice 101
American Sign Language 220
Anthropology 100, 120, 170, 200, 201, 202, 203, 205, ***206
Business Administration **208
Child Development 110
Child Development/Early Childhood **113

Other courses that will meet the requirement include Dance 102, 105, 106A, 106B, 107, 108A, 108B, 108C, 109, 110, 112, 120, 121, 122, 123, 124, 125, 126, 130A, 130B, 133, 134, 135, 136, 140, 141, 142, 143, 144, 150, 151

- b. Completion of HED 100, 101, 103, 105 or 200; HO 100 or 152; CDEC 161; or WGS 103.
- c. Enrollment and completion of Allied Health program (DA, DH, RN, PTA, Pharm Tech, MA).
- d. For other options, see your counselor.

GENERAL EDUCATION REQUIREMENTS FOR THE ASSOCIATE DEGREE

- Communication Studies 110, 115
Counseling **150, 200
Economics 101, 102, 201, 201M, 202, 202M, 204
Environmental Policy 200
Finance 125
Geography 102, 105, 140
Health Education ***103
History 110, 120, 204, 210, ***220, ***221, 230, 235, 241, 242, 245, 246, 250, 255, 260, 265, **270, 275
Humanities 107
Journalism 100
Kinesiology 108, ***211
Political Science 110, 210, 220, 230, 240, ***250, 260
Psychology 101, 150, 251, 261, 271
Reading 101
Sociology 101, 110, 120, 201, 202, 205, 210, 215, **225, 230, 250
Communication Studies 110, 115
Speech Language Pathology **105
Women's and Gender Studies 101, ***103, 105, 107, 108, 115, **140, 202, 204, 205, 206, **208, ***209, ***250,
- c. FINE ARTS AND HUMANITIES: 3 UNITS MINIMUM FROM EITHER FINE ARTS OR HUMANITIES
- (1) FINE ARTS
Architecture **110, 112
Art 100, 101, 102, 103, 104, 105A, 105B, 106, 107, *108, *109, 110, 113, 116, 118, **119A, 120, 130A, 150, **186, **192, 193, **200
Communication Studies **148
Dance 100, 101
Film 159
Humanities *108, *109, **200
Music 100, 101, 102, 103, 104, 104B, 105, 180
Photography 100, 160

Theatre 101, 102, 103, 104, **110, 150, RTV/TH 151, RTV 152
Women's and Gender Studies 118
- (2) HUMANITIES
American Sign Language 110, 111, ***210, ***211
Art *108, *109, 124, 125, 207
Chinese 101, 102, 201, 202, 260
Communication Studies 140, **145
English 102, 106, 221A, 221B, 222, 223, 224, 225, 226, 227, 228, 230A, 230B, ***231, 232, 233, 234, 235, 236, 237, 238, 239, **242, **243, **244, 245, 246A, 246B, ***248A, 248B, **247, ***249
French 101, 102, 201, 202, 203, 281, 282, 283, 285
German 101, 102, 201, 202
Humanities 100, *108, *109, 125
Japanese 101, 102, 201, 202
Philosophy 100, 102, 104, 105, 107, 108, 109, 130, 140, 200, 201, 203, 204, 205, 206
Photography 150
Spanish 101, 102, 111, 112, 201, 202, 206, 210, 245, 260, 285
Communication Studies 140, **145
Women's and Gender Studies 102, 109, 207
- d. LANGUAGE AND RATIONALITY: 6 UNITS MINIMUM
Select at least three units from Section D1 and three units from Section D2:
- (1) ENGLISH COMPOSITION
English 100, 100S
- (2) COMMUNICATION AND ANALYTICAL THINKING
Business Communication **148
Communication Studies **60, 100, 103, 120, 125, 130, 132
Computer and Information Sciences **101, **102, **103
Engineering Design Technology **131
English 103, 110
Mathematics **80, **80B, ***110A, ***110B, 112, 114, 115, 116, ***140, 155, 160, 170, 190, 225, 250
Philosophy 103, 106, **160
Psychology 103, 210
Reading 200
- e. Select an additional general education course from those listed above or a course from Plan B or Plan C so that the earned general education units total at least 18.
- * These courses appear in more than one category, but may only be counted once.
** These courses do not meet the General Education Requirements for CSU or IGETC.
*** These courses do not meet the General Education Requirements for IGETC.
- NOTE:** *The preceding graduation requirements apply to students who were in attendance during the 2019-20 school year and thereafter. Students who enrolled prior to Fall 2019 and who have maintained continuous attendance at Cerritos College have the option of meeting the current requirements or those in effect at the time continuous attendance began.*



GENERAL EDUCATION REQUIREMENTS FOR THE ASSOCIATE DEGREE AND FOR TRANSFER TO THE CALIFORNIA STATE UNIVERSITY

Associate in Arts Degree General Education 2019-20 Plan B and/or The General Education Certification Requirements For The Bachelor's Degree At The California State University

Plan B is designed primarily for students who will transfer to a California State University (CSU) campus and are not interested in attending a University of California campus. Students may use this plan to combine completion of both the Associate in Arts general education requirements and the CSU General Education Certification pattern. Students should see a counselor for advice on selecting the A.A. General Education plan that, in combination with a major, will best match their educational and career goals.

To earn an Associate in Arts Degree using Plan B, students must complete a minimum of 60 degree applicable units with an overall grade point average of "C" (2.0) or higher, which must include the specified general education requirements and designated courses for a major. The Health and Wellness Proficiency requirement must be completed (see description in Plan A).

If a student wishes only to transfer and is not seeking an A.A. degree, they can follow the requirements below; however, there are no proficiencies required for CSUGE certification.

It should be noted that completion of the CSU General Education Certification is not required for admission to the CSU, nor is it the only way to fulfill the lower division general education requirements. Depending upon the student's major, it may be advantageous to complete the requirements of the specific campus the student plans to attend.

CALIFORNIA STATE UNIVERSITY GENERAL EDUCATION CERTIFICATION REQUIREMENTS

A maximum of 39 units is required to fulfill the CSU lower division general education requirements, with the units to be distributed as follows: Nine (9) units in Area A; nine (9) units in Areas B, C and D, with no more than 30 units total in areas B through D combined; and three (3) units in Area E.

A letter grade of "C" or higher is required in Oral Communication, Written Communication, Critical Thinking, and Mathematical Concepts.

Note: Courses appearing in more than one category may be used to satisfy only one category. Such courses are marked with an *.

- A) Communications: 9 units minimum.
Must take one course from category 1, 2, and 3
 - 1. Oral Communication
Communication Studies 100, 120, 125, 130, 132
 - 2. Written Communication
English 100, 100S
 - 3. Critical Thinking
Communication Studies 103
English 103, 110
Philosophy 103, 106
Psychology 103
Reading 200

- B) Natural Science and Mathematics: 9 units minimum.
Take a course from category 1, 2 and 3. AT LEAST ONE LABORATORY (LAB) MUST BE INCLUDED IN CATEGORY 1 or CATEGORY 2.
 - 1. Physical Sciences
Astronomy 102, 103, 104, 105L (lab), 106
Chemistry 100 (lab), 110 (lab), 111 (lab), 112 (lab)
Earth Science 101, 102 (lab), 104, 104L (lab), 106, 110 (lab)
Energy 100
Geography 101, 101L (lab), 103
Geology 101 (lab), 102, 102L (lab), 103, 103L (lab), 201 (lab), 204, 207 (lab), 208, 209
Physical Science 100, 112 (not considered a LAB science for CSU GE)
Physics 100 (lab), 101 (lab), 102 (lab), 201 (lab), 202 (lab), 203 (lab)
 - 2. Biological Sciences
Anatomy and Physiology 120 (lab), 150 (lab), 151 (lab), 200 (lab), 201 (lab)
Anthropology 115, 115L (lab)
Biology 105, 110 (lab), 115 (lab), 120 (lab), 200 (lab), 201 (lab), 202
Botany 120 (lab)
Microbiology 200 (lab)
Psychology 241
Zoology 120 (lab)
 - 3. Mathematical Concepts
+Finance 125M (see important footnote on page 125)
Mathematics 110A, 110B, 112, 114, 115, 116, 140, 155, 160, 170, 190, 225, 250
Psychology 210

- C) Fine Arts and Humanities: 9 units minimum.
Take one course in category 1 and 2. The third course may be taken in either category
 - 1. Fine Arts
Architecture 112
Art 100, 101, 102, 103, 104, 105A, 105B, 106, 107, *108, *109, 110, 113, 116, 118, 120, 130A, 150, 193
Dance 100, 101
Film 159

GENERAL EDUCATION REQUIREMENTS FOR THE ASSOCIATE DEGREE AND FOR TRANSFER TO THE CALIFORNIA STATE UNIVERSITY

Humanities *108, *109
Music 100, 101, 102, 103, 104, 104B, 105, 180
Photography 100, 160
Theatre 101, 102, 103, 104, 150, RTV/TH 151, RTV 152
Women's and Gender Studies 118

2. Humanities

American Sign Language 110, 111, 210, 211, *220
Art *108, *109, 124, 125, 207
Chinese 101, 102, 201, 202, 260
Communication Studies 140
English 102, 106, 221A, 221B, 222, 223, 224, 225, 226, 227, 228, 230A, 230B, 231, 232, 233, 234, 235, 236, 237, 238, 239, 245, 246A, 246B, 248A, 248B, 249
French 101, 102, 201, 202, 203, 281, 282, 283, 285
German 101, 102, 201, 202
History *101, *102, *103, *110, *120, *210, *220, *221, *230, *235, *241, *242, *245, *246, *250, *255, *260, *265, *275
Humanities 100, *108, *109, 125
Japanese 101, 102, 201, 202
Philosophy 100, 102, 104, 105, 107, 108, 109, 130, 140, 200, 201, 203, 204, 205, 206
Photography 150
Political Science *240
Spanish 101, 102, 111, 112, 201, 202, 205, 206, 210, 245, 260, 285
Women's and Gender Studies 102, 109, 207

D) Social Sciences: 9 units minimum.

Take one course in category 1, 2 and 3.

1. American History

History *101, *102, *103
(Any one of these courses meet the requirement in U.S. History)

2. American Government

Political Science 101, 201
(Either of these courses meet the requirement for Constitution and American Ideals)

3. Social, Political, Historical and Economic Institutions

Administration of Justice 101
American Sign Language *220
Anthropology 100, 120, 170, 200, 201, 202, 203, *205, 206
Child Development *110
Communication Studies 110, 115
Economics 101, 102, 201, 201M, 202, 202M, 204
Environmental Policy 200
Geography 102, 105, 140
History *110, *120, 204, *210, *220, *221, *230, *235, *241, *242, *245, *246, *250, *255, *260, *265, *275
Humanities 107
Journalism 100
Kinesiology *108, 211
Political Science 110, 210, 220, 230, *240, 250, 260
Psychology 101, *150, 251, 261, 265, 271
Sociology 101, *110, *120, 201, 202, 205, 210, 215, 230, 250
Women's and Gender Studies 101, 105, 107, *108, 115, 202, 204, *205, 206, 209, 250

E) Self-Development: 3 units minimum.

Take one course from the following:

Anthropology *205
Child Development *110
Counseling 200
Health Education 100, 101, 103, 105
Health Occupations 152
Kinesiology 104, *108
Psychology *150, 245
Reading 101
Sociology *110, *120
Women's and Gender Studies 103, *108, *205

* These courses appear in more than one category, but may be used only to satisfy one category.

+ May not be used for any regular (non-AAT/AST) AA degree. Please see a counselor for more information.

NOTE: Changes in the above General Education requirements may occur from time to time. If courses are added to or deleted from the pattern, this may affect a student's selection of courses. Students do not have catalog rights to a certification pattern, regardless of their continual attendance status.

CSU Transfer credit is noted in individual catalog course descriptions. A complete list of CSU transferable courses offered by Cerritos College can be found on the ASSIST website at www.assist.org.



GENERAL EDUCATION REQUIREMENTS FOR THE ASSOCIATE DEGREE AND FOR TRANSFER TO THE CALIFORNIA STATE UNIVERSITY AND UNIVERSITY OF CALIFORNIA

Associate in Arts Degree General Education 2019-20 Plan C and/or The Intersegmental General Education Transfer Curriculum (IGETC) For Transfer To UC And CSU

Plan C is designed primarily for students who intend to transfer to the University of California (UC) or are undecided between transferring to the UC or the California State University (CSU). Students may use this plan to combine completion of both the A.A. Degree general education requirements and the IGETC General Education requirements.

The purpose of IGETC is to provide an option for students to fulfill lower division general education requirements prior to transferring to a UC or CSU campus.

Depending upon the student's major and campus choice, it may be advantageous to complete the requirements of the specific campus the student plans to attend. In general, it is not advisable for transfer students preparing for majors at any UC campus requiring a high number of units, such as engineering and science, to use IGETC.

Plan C can be fulfilled by completing the IGETC requirements specified for either the UC or CSU.

A letter grade of "C" or higher is required in all Plan C courses.

To earn an Associate in Arts degree using Plan C, students must complete a minimum of 60 degree applicable units with a grade point average of "C" (2.0) or higher, which must include the specified general education requirements and designated courses for a major. The Health and Wellness Proficiency requirement must be completed (see description in Plan A).

If a student wishes only to transfer and is not seeking an A.A. degree, they can follow the requirements below. There are no proficiencies required for IGETC certification.

It should be noted that completion of IGETC is not required for admission to the UC or CSU.

Further information and other regulations pertaining to IGETC and the Associate in Arts Degree are found in the catalog.

AREA 1 ENGLISH COMMUNICATION

CSU: Courses from A, B, and C required.

UC: Courses from A and B required.

- A) English Composition
(1 course, 3 semester/4-5 quarter units)
English 100, 100S

- B) Critical Thinking-English Composition
(1 course, 3 semester/4-5 quarter units)
Communication Studies 103
English 103, 110
Philosophy 103
Psychology 103
Reading 200
- C) Oral Communication (CSU ONLY)
(1 course, 3 semester/4-5 quarter units)
Communication Studies 100+, 120, 130, 132+

AREA 2 MATHEMATICAL CONCEPTS AND QUANTITATIVE REASONING

(1 course, 3 semester/4-5 quarter units)
Mathematics 112+, 114+, 115, 116+, 155+, 160+, 170+, 190, 225, 250
Psychology 210+

AREA 3 ARTS AND HUMANITIES

(3 courses, with at least one from A and one from B below;
9 semester/12-15 quarter units)

- A) Arts
Architecture 112
Art 100, 101, 102, 103, 104, 105A, 105B, 106, 107, *108, *109, 113, 118
Dance 100, 101
Film 159
Humanities *108, *109
Music 100, 101, 103, 104, 104B, 105, 180
Photography 160
Theatre 101, 102, 103, 104, 150
Women's and Gender Studies 118
- B) Humanities
American Sign Language 111, *220
Art *108, *109, 124, 125, 207
Chinese 102, 201, 202, 260
English 102, 106, 221A, 221B, 222, 223, 224, 225, 226, 227, 228, 230A, 230B, 232, 233, 234, 235, 236, 237, 238, 239, 245, 246A, 246B, 248A, 248B
French 201, 202, 281, 282, 283, 285+
German 102, 201, 202
History *101+, *102+, *103+, *110, *120, *210+, *230, *235, *241, *242, *245, *246, *250, *255, *260, *265, *275
Humanities 100, 107, *108, *109, 125
Japanese 102
Philosophy 100, 102, 104, 105, 107, 108, 109, 130, 140, 200, 201, 203, 204, 205, 206
Photography 150
Political Science *240
Spanish 102+, 112+, 201, 202, 205, 210, 245, 260, 285+
Women's and Gender Studies 102, 109, 207

GENERAL EDUCATION REQUIREMENTS FOR THE ASSOCIATE DEGREE AND FOR TRANSFER TO THE CALIFORNIA STATE UNIVERSITY AND UNIVERSITY OF CALIFORNIA

AREA 4 SOCIAL AND BEHAVIORAL SCIENCES

(3 courses from at least two disciplines or an interdisciplinary sequence: 9 semester/12-15 quarter units)

American Sign Language *220

Anthropology 100, 120, 170, 200, 201, 202, 203, 205, 206

Child Development 110

Communication Studies 110, 115

Economics 101+, 102, 201, 201M, 202, 202M

Environmental Policy 200

Geography 102, 105, 140

History *101+, *102+, *103+, *110, *120, 204, *210+, *230,

*235, *241, *242, *245, *246, *250, *255, *260, *265, *275

Humanities 107

Kinesiology 108

Political Science 101+, 201+, 210, 220, 230, *240

Psychology 101, 150, 251, 261, 265+, 271

Sociology 101, 110, 120, 201, 202+, 205, 210, 215, 250

Women's and Gender Studies 101, 105, 107, 108, 115, 202+, 204, 205, 206, 209, 250

- c. Earn a minimum score of 500 on an appropriate College Board Achievement Test in a foreign language.
- d. For other options, see your counselor.

B) CSU ONLY: The CSU has a specific American Institutions requirement that is separate from the general education requirements. Courses used to meet the American Institutions requirement may be used to satisfy requirements for the IGETC, at the discretion of the receiving CSU campus. It is recommended that this requirement be met prior to transfer. The following will meet the CSU American Institutions requirement.

6 units, one course from Group 1 and one course from Group 2.

Group 1: History 101+, 102+, 103+

Group 2: Political Science 101+, 201+

C) The UC-bound student should be aware of the American history and institutions requirements at the campus of choice. Requirements may vary. See your counselor for details.

+Credit limitation. UC credit limitations may apply for certain courses in IGETC, as well as other UC transferable courses which are not in IGETC. An explanation for each course, which has credit limitations, appears in the college catalog course description. For details, see your counselor.

AREA 5 PHYSICAL AND BIOLOGICAL SCIENCES

(2 courses, one from A and one from B below; at least one course must include laboratory (lab); 7-9 semester/9-12 quarter units)

A) Physical Sciences

Astronomy 102+, 103+, 104, 105L (lab) 106

Chemistry 100+ (lab), 110+ (lab), 111 (lab), 112 (lab)

Earth Science 101, 102 (lab), 104, 104L (lab), 106, 110+ (lab)

Geography 101, 101L (lab), 103

Geology 101 (lab), 102, 102L (lab), 103, 103L (lab), 201 (lab), 207 (lab), 208, 209

Physical Science 100+

Physics 100+ (lab), 101+ (lab), 102+ (lab), 201+ (lab), 202+ (lab), 203+ (lab)

B) Biological/Life Sciences

Anatomy and Physiology 120+ (lab), 150+ (lab), 151+ (lab), 200+ (lab), 201+ (lab)

Anthropology 115, 115L (lab)

Biology 115 (lab), 120+ (lab), 200 (lab), 201 (lab), 202

Botany 120 (lab)

Microbiology 200 (lab)

Psychology 241

Zoology 120 (lab)

* These courses appear in more than one category, but may be used only to satisfy one category.

ADDITIONAL REQUIREMENTS

A) UC ONLY: Language other than English

There are several ways to satisfy this requirement. They include:

- a. Complete two years of the same foreign language in high school with a grade of "C-" or higher.
- b. Complete first college course in any foreign language or ASL 110.



SERVICES FOR STUDENTS

The following pages describe the student services available at Cerritos College. We sincerely hope that you take the time to become familiar with these services and use them often to meet your goals at the college. The telephone extension of each service is listed. The college telephone number is (562) 860-2451.

ACCIDENT INSURANCE

EXT. 2321

Accident insurance is provided by Cerritos College to all enrolled students in the event of an accident or injury during college sponsored and supervised activities. The insurance may assist in covering medical bills incurred by students and athletes. There are benefit limitations and some exclusions in the policy, so it is important to work with the Student Health Services staff to insure optimum coverage. Students enrolled at Cerritos College, whose children are injured while using the officially designated childcare facility on campus, are covered by Accident Insurance.

ADMISSIONS AND RECORDS

EXT. 2211

The Admissions and Records Office has many functions. It is responsible for: application for admission, permanent records, transcript requests, student academic petitions, verification of student enrollment to appropriate institutions, and a segment of the enrollment procedure. Concerns should be directed to the Dean of Admissions, Records, and Services. Except during enrollment, the Admissions and Records Office hours are Monday through Thursday, 8 am – 7 pm; and Friday, 8 am – 12 pm. For additional information visit our website at www.cerritos.edu/admissions.

ASSESSMENT/PLACEMENT OFFICE

EXT. 2599

Assessment for Placement, or the Self-Report Tool (SRT) or Guided Placement Tool (GPT), is administered in the Assessment/Placement Office, located on the second floor of the Multipurpose Building. Results are used for advisement in selecting classes. Depending on when, where or if students attended high school, they will complete either the Self-Report Tool (SRT) or Guided Placement Tool (GPT), which, in most cases, will place students directly into transfer level courses in the areas of math and English or ESL. A current Cerritos College student number and photo ID are required to complete the SRT or GPT. Please visit our website at www.cerritos.edu/assessment-center for the current Assessment/Placement schedule.

ATHLETICS

EXT. 2864

Cerritos College is a member of the South Coast Conference. Cerritos men's teams are represented in: baseball, basketball, cross country, football (SCFA), soccer, swimming, tennis, track and field, water polo and wrestling (SCWA). Cerritos women's teams are represented in: basketball, cross country, soccer, softball, swimming, tennis, track and field, volleyball, and water polo.

BOOKSTORE

EXT. 2462

The Cerritos College Bookstore is maintained by the Follett Higher Education Group in association with the ASCC. The store carries required materials, new and used textbooks, reference materials, school supplies, snacks, imprinted gifts, and clothing. MasterCard, Visa, American Express, and Discover are accepted. Fall and spring semester regular hours are: Monday through Thursday, 7:30 am – 7 pm and Friday, 7:30 am – 2 pm; closed on Saturday and Sunday.

CALWORKS

EXT. 2593

The Cerritos College CalWORKs Program assists students who are receiving cash aid assistance through the state of California's CalWORKs Welfare Program, are in good standing with the college, and have developed or are in the process of developing a welfare-to-work plan with the local welfare office. The program provides eligible students with the following support services: Academic, Career, Transfer, and Personal Counseling services; Priority Enrollment; one-on-one new student orientations; Basic Needs Assistance; math tutoring; computer lab; study rooms; workshops; scholarship opportunities; referrals to campus- and community-based organizations; and up-to-date information regarding welfare regulations, rules, and requirements. The staff advocates for students with the Department of Public Social Services (DPSS) in order to ensure that county, state, and federal regulations are administered fairly and correctly. For eligible students, the CalWORKs Office also provides a work-study program, which includes Career Guidance, assistance with resumé writing, mock interviewing skill building, Pre-Employment Preparation workshops (PEP), and subsidized paid work-study placements on campus. To make an appointment with a CalWORKs Counselor, please call (562) 860-2451, ext. 2593. The CalWORKs Office is located in the Santa Barbara Building. Our hours are Monday, Tuesday, Thursday, and Friday, 8 am – 4 pm; and Wednesday, 8 am – 6:30 pm. For additional information, please visit our website at www.cerritos.edu/calworks.

CAMPUS NEWS SERVICES AND SOCIAL MEDIA

EXT. 2618

To keep you abreast of news and interesting aspects of campus life, student publications are available to you free of charge. Produced by students in the Journalism Department, the award-winning weekly newspaper *Talon Marks* provides timely coverage of campus news and highlights, sports, and current events. Campus news is also available online at the Talon Marks website at www.talonmarks.com and on the campus radio station WPMD, or www.cerritos.edu/wpmd. These media, as well as the college itself, also provide news through Twitter, Facebook, and Instagram.

CAREER PLANNING

EXT. 2356

Career planning is available to individuals who are currently enrolled, who have graduated, or who hold certificates from Cerritos College. Career planning provides opportunities to explore career options, as well as the use of sophisticated computerized search programs including the Internet. Students are encouraged to take advantage of the skills, interests, and values inventories that are available to them in Career Services. A career counselor will assist you with understanding your assessment results and help you in choosing a career or major.

CAREER SERVICES

EXT. 2356

Career Services offers the following services to assist students in exploring and planning their academic and vocational futures: (1) Assessment Office, ext. 2599; (2) Career Planning, ext. 2356; (3) Student Employment Resources, ext. 2366; and (4) Re-entry Programs, ext. 2362. You may visit our website at www.cerritos.edu/career-services. Career Services hours are Monday and Thursday, 8 am – 4:30 pm; Tuesday and Wednesday, 8 am – 7 pm; and Friday, 8 am – 12 pm.

SERVICES FOR STUDENTS

CHILD DEVELOPMENT CENTER

EXT. 2583

The Cerritos College Child Development Center Program services students, college employees, and the community. The Center is also a laboratory school for future teachers in the field of Early Childhood Education. Our purpose is to provide a safe, nurturing, exceptional early childhood education program for children from 2 – 5 years old. Inspired by the schools of Reggio Emilia, Italy; we use a constructivist approach to learning. Cerritos College Child Development Center is open Monday through Friday, 7:30 am – 5 pm. We foster an emergent curriculum, one that arises out of the children's interests and responses to the prepared indoor and outdoor classroom environment and their experiences.

For students enrolled in courses at night, we have drop-in child care available for their children (ages 3 to 5 years), Monday through Thursday from 5:30 pm to 10 pm. Subsidized tuition is available to those that qualify. Students interested in the Night Care Program can contact the Child Development Center Office for registration information. Pre-registration is required.

Students interested in these services must contact the Child Development Center and fill out a Request for Child Development Services form, or call (562) 860-2451, ext. 2583.

COUNSELING

(562) 467-5231

Counselors are available in the Counseling Department to assist you with academic advisement, establishing realistic goals and devising a comprehensive student educational plan (C-SEP) to meet those goals. Counselors can keep you abreast of current requirements for your major. Counselors are available on a half-hour appointment basis or on a limited standby basis for quick questions. Online counseling is available at www.cerritos.edu/counseling. Counseling Department hours are Monday through Thursday, 8 am – 7 pm; and Friday, 8 am – 2 pm (excluding summer).

DISABLED STUDENT PROGRAMS AND SERVICES (DSPS)

EXT. 2335

Students with educational limitations due to a disability may receive accommodations and services from Disabled Student Programs and Services (DSPS). DSPS serves students with disabilities such as mobility, visual, hearing loss, psychological, learning, autism, and other health-related disabilities. DSPS has been in operation at Cerritos College since 1969. For more information or to schedule an appointment call (562) 860-2451, ext. 2335; (562) 274-7164 (VP); or visit our website at www.cerritos.edu/dsps.

EXTENDED OPPORTUNITY PROGRAMS AND SERVICES (EOPS)

EXT. 2398

Extended Opportunity Programs and Services (EOPS) assists low-income and educationally disadvantaged students in college. The program offers academic, personal, and career counseling; book grants; tutoring; early enrollment assistance; counseling courses; EOPS Summer Bridge program; school supplies; transfer assistance; and university tours. The EOPS Office is located on the south side of the Administration Building. Office hours are Monday through Thursday, 8 am – 7 pm; and Friday, 8 am – 1 pm. For more information, call (562) 860-2451, ext. 2398, or visit our website at www.cerritos.edu/eops.

FINANCIAL AID OFFICE

EXT. 2397

The Financial Aid Office offers grants, work-study opportunities, loans, and scholarships provided by federal and state governments and local agencies. The Free Application for Federal Student Aid (FAFSA) can be filed on the web at www.fafsa.gov. The federal school code for Cerritos College is 001161. Financial Aid Office hours are Monday through Thursday, 8 am – 7 pm; and Friday, 8 am – 12 pm. For additional information, visit our website at www.cerritos.edu/finaid.

HEALTH INSURANCE

EXT. 2321

Supplemental insurance coverage programs are available for health and hospitalization coverage. Students interested should contact Student Health Services for insurance information and application.

HEALTH SERVICES

EXT. 2321

Health services are available to all students currently enrolled at Cerritos College upon proof of enrollment. First aid and referrals are available to all faculty, staff, and visitors. The Student Health Services is staffed by a group of professionals which include physicians, nurse practitioners, registered nurses, psychologists, medical assistants, and clerical support. They are all dedicated to your health and wellness. The SHS is able to provide basic outpatient services for the diagnosis and treatment of acute and sub-acute illnesses and injuries. A brief overview of services includes urgent care, preventive care, women's and men's health care; as well as, chiropractic services, referrals to psychological and optometric services, and a variety of support services (pharmacy, laboratory, health education, etc.). Accident, International student, and supplemental insurances are also available through the SHS. Office hours are currently Monday through Thursday, 8 am – 4:00 pm; and Friday, 8 am – 12 pm. We invite you to visit our website at www.cerritos.edu/shs, or call (562) 860-2451, ext. 2321. We are located on the southeast corner of campus and would like to extend an invitation for you to stop in and visit us anytime.

LEADERS INVOLVED IN CREATING CHANGE (LINC)

EXT. 2371

Leaders INvolved in Creating Change (LINC) is a support program designed to help link foster youth with support services on and off campus to ensure a successful transition from foster care to independent living. The goals of the program are to improve college access for current and former foster youth, increase retention and graduation rates, and promote student learning and development. Services provided to LINC students include academic counseling, early enrollment assistance (if eligible), tutoring, assistance with financial aid, and links to on-campus and off-campus resources. For more information call (562) 860-2451, ext. 2371, or visit www.cerritos.edu/linc.

LIBRARY AND LEARNING RESOURCE CENTER

EXT. 2430

The Wilford Michael Library and Learning Resource Center (LRC) is located near the center of campus. It provides a wide variety of services and materials.

The library is available for study and research. It contains more than 120,000 books and reference materials and over 100 print magazine and newspaper subscriptions. The library provides access to its online library catalog and thousands of magazine, journal, and newspaper articles in 70 online subscription databases through the library website on the Internet. Copy machines, printers, and computers are also available in the library for student use, and librarians are available for reference assistance.

The LRC houses the following services: Library (ext. 2430), Library Computer lab (ext. 2184), Media Services (ext. 2443), Distance Education (ext. 2405), Center for Teaching Excellence (ext. 2797), and Success Center (ext. 2404).

MENTAL WELLNESS PROGRAM

EXT. 2321

Psychological services, crisis intervention, and referrals are available to students experiencing emotional difficulties or concerns. Please contact Student Health Services at extension 2321 for assistance, or visit our website at www.cerritos.edu/shs.

SERVICES FOR STUDENTS

OFFICE OF INTERNATIONAL STUDENT SERVICES

EXT. 2133

The Office of International Student Services (OISS) fosters the education and development of F-1 Nonimmigrant students. The program provides eligible students with a comprehensive “One-Stop” approach with the following services: Admissions, Academic Counseling and Advising, early enrollment, small group orientations, welcome receptions advocacy regarding immigration requirements, computer lab, study rooms, and on-campus and community resources. The well-trained staff provides a welcoming and nurturing environment that assist new and continuing students to stay in federal program compliance and maintain good academic standing. The program provides workshops and support that assist students in adjusting to the American Culture and the California Community College educational system.

Cerritos College also offers a full-time Intensive English Program (IEP) to help develop English language skills. The IEP is a student-centered environment where students are fully immersed into the English language and culture. Upon successful completion, students can transition into their major field of study at Cerritos College and then transfer to the university of their choice.

To view the application for the *Academic and/or Intensive English Program* and ALL required documents, please visit our site at www.cerritos.edu/oiss, or call us at (562) 860-2451, ext. 2133. Our email address is oiss@cerritos.edu. The OISS office hours are Monday, Tuesday, Thursday, and Friday, 8 am – 4 pm; and Wednesday, 8 am – 6:30 pm. The OISS is located in the Santa Barbara Building.

PARKING

EXT. 2325

All parking at Cerritos College is by permit only. Parking regulations are enforced 24 hours a day/ 7 days a week. A semester parking permit may be ordered online by logging into MyCerritos at <http://my.cerritos.edu> and clicking the link “Buy Parking Permit”. Permits may also be purchased on campus in the Admissions and Records Office during regular business hours and at Campus Police when Admissions and Records is closed, including weekends. A daily permit may be purchased from the ticket dispensers located in our student parking lots for \$2.00. All permit dispensers accept dollar bills and coin currency, but do not give change or refunds of any kind. Credit cards are also accepted at all permit machines with a 25 cent convenience fee added to each transaction. Dispensers are located near the marquee in front of the gymnasium; on Falcon Way; and in student parking lots 1, 5, 6, 8, and 10. Timed parking stalls are also available and are located in lots 2, 6, and 8; these stalls require a pay and display permit which is valid for up to 2 hours. Parking in staff parking lots requires a current staff parking permit. Vehicles with a valid disabled “DP” placard or plate and a current and valid student or one-day permit are permitted to park in staff parking lots. “Blue Curb” and marked disabled parking stalls do not require a parking permit if a valid “DP” placard or plate is displayed in the vehicle (the registered owner of the “DP” placard must be present at all times when placard is being used on campus). Persons displaying a “DP” plate or placard may not park in parking stalls reserved for “Carpool” or “Board Members” at any time. Student parking is free the first week of each semester in any white-lined parking stall. Please note that the summer semester has 2 sessions and free parking is only given for the first week of the first session.

VEHICLES WITHOUT A PERMIT OR THAT ARE INCORRECTLY PARKED CAN BE ISSUED A PARKING CITATION. CERRITOS COLLEGE ASSUMES NO LIABILITY AND IS NOT RESPONSIBLE FOR DAMAGE TO OR THEFT OF ANY VEHICLE OR ITS CONTENTS. LOST OR STOLEN PARKING PERMITS ARE NOT REPLACED. PLEASE REFER TO THE COLLEGE CATALOG FOR ADDITIONAL PARKING INFORMATION.

RE-ENTRY RESOURCE PROGRAM

EXT. 2362

The Re-entry Resource Program assists adults returning to school make a smooth transition, overcome barriers unique to returning adults, and successfully attain their college goals and objectives. Services include personal assistance, orientations, workshops based on re-entry student issues, support groups, information regarding child care, financial aid, career counseling, job placement, scholarship information, and community resources. The

program also coordinates the annual Mayor’s Exploration and Community Resources Fair. Re-entry students of varied ages find these services relevant to their needs and interests. The Re-entry Resource Program is located in Career Services. For more information, visit us at www.cerritos.edu/re-entry-program.

STUDENT EMPLOYMENT RESOURCES

EXT. 2366

Cerritos College students and alumni who are seeking employment may review job listings in Career Services. Additional listings are accessible through the Internet. Assistance in seeking internships is also provided. Handouts on job search resources, resumé writing, and interviewing skills are available on request. Student Employment coordinates the bi-annual job fairs, Employer Business Panel, and on-campus employer information tables. For more information, call (562) 860-2451, ext. 2366; email student-employment@cerritos.edu; or visit us at www.cerritos.edu/job-placement.

SUCCESS CENTER

EXT. 7891

The Success Center, located on the lower floor of the LRC, has been established to serve the needs of faculty and students across the campus. The Success Center provides learning assistance and academic support for students at all levels. Assistance in virtually any subject is available via workshops, directed learning activities, and computer software programs; as well as individually from qualified tutors and instructors. Faculty and staff in the Success Center involve instructors in developing supplemental instruction in a variety of forms and work with instructors to enhance course offerings. For hours, special schedules, and additional information; please call the Success Center at (562) 860-2451, ext. 2404, or visit the Center’s website at www.cerritos.edu/sc.

TRANSCRIPTS/VERIFICATION OF ENROLLMENT

EXT. 2211

A transcript of all college work completed may be obtained by submitting a written request in the Admissions and Records Office. If ordered on campus, the first 2 transcripts (whether official or unofficial) and verifications of enrollment are free. For subsequent copies, a fee of \$3 is charged for each regular transcript; a \$10 fee is charged for each rush transcript requested at least 2 hours before closing. The fee for verification of enrollment is \$2 for three to five working days processing time, or \$7 for 24-hour service. Please contact the Admissions and Records Office by phone or check the website at www.cerritos.edu/, “MyCerritos”, “Transcripts”, for information on ordering transcripts via the web.

TRANSFER CENTER

EXT. 2154

The Transfer Center offers information, referrals, and counseling services. The Transfer Center provides transfer events and workshops, general education information, advising appointments with university representatives, and university tours. The Transfer Center is located in the Administration Building West Quad. Office hours are Monday through Thursday, 8 am – 7 pm; and Friday, 8 am – 2 pm. Visit our website at www.cerritos.edu/transfer.

VETERANS’ EDUCATION OFFICE

EXT. 3716

The Veterans’ Education Office is located in the Veterans’ Resource Center. The primary function of this office is to certify to the Veteran’s Administration that eligible veterans are enrolled at the college and pursuing an approved educational goal. Hours are Monday through Wednesday, 8 am – 7 pm; Thursday, 8 am – 5:30 pm; and closed on Friday.

VETERANS’ RESOURCE CENTER

EXT. 3716

The Veterans’ Resource Center (VRC) is a one-stop center that houses certifying officials, veteran’s counselors, tutors, and other valuable resources. There are computers available for veteran students’ use and assistive technology for improved learning. Tutoring is available Monday through Wednesday, 8 am – 7 pm; and Thursday, 8 am – 5:30 pm. The VRC is located in the Student Center Complex. Hours are Monday through Wednesday, 8 am – 7 pm; Thursday, 8 am – 5:30 pm; and closed on Friday.

SERVICIOS PARA ESTUDIANTES

ADMISIONES Y REGISTRO

EXT. 2211

La oficina de Admisiones y Registro tiene muchas funciones. Es responsable por: solicitud de admisión, registros permanentes, peticiones de transcripción, peticiones académicas, verificación de matriculación de estudiantes para las instituciones pertinentes, y un segmento de el procedimiento de matriculación. Preguntas y comentarios pueden ser dirigidos al Decano de Admisiones y Servicios de Registro. Salvo en el tiempo de inscripción, el horario de la Oficina de Admisiones y Registro es Lunes a Jueves, 8 am – 7 pm; Viernes, 8 am – 12 pm Para obtener información adicional, visite nuestro sitio de web en www.cerritos.edu/admissions.

OFICINA DE EVALUACIONES/COLOCACION EXT. 2599

La Evaluación para ubicación o la Herramienta de auto evaluación (SRT) son administradas en la Oficina de Evaluaciones que se encuentra en el segundo nivel del Edificio de usos múltiples. Los resultados se utilizan para la orientación en la selección de clases. Para los estudiantes que se graduaron de la escuela secundaria en los últimos 10 años, las certificaciones de una escuela secundaria de Estados Unidos se utilizan para ubicarlos en las clases de Lectura, Matemáticas o ESL. Los estudiantes que se graduaron de la escuela secundaria hace más de 10 años, que no hicieron o no completaron la escuela secundaria o que no tienen certificaciones de una escuela secundaria de Estados Unidos deben comunicarse con la Oficina de Evaluaciones para obtener las opciones apropiadas. Visite nuestro sitio web en www.cerritos.edu/assessment-center para ver el programa de Evaluaciones vigente.

LIBRERIA

EXT. 2462

La librería de Cerritos College es operada por el Grupo Follet Higher Education, en asociación con la ASCC. La tienda brinda materiales necesarios, libros nuevos y usados, materiales de referencia, útiles escolares, bocadillos, regalos y ropa impresa. Mastercard, Visa, American Express y Discover son aceptados. Las horas regulares de Otoño y Primavera son: 7:30 am a 7 pm, de Junes a Jueves; 7:30 am a 2 pm, Viernes; cerrado Sábados y Domingos.

CONSEJERIA

(562) 467-5231

Los consejeros están disponibles en el Departamento de Asesoramiento para ayudarle con asesoría académica, el establecimiento de metas realistas y la elaboración de un integral plan de educación para alcanzar esos objetivos. Consejeros pueden mantenerle al corriente de las necesidades actuales de su carrera. Los consejeros están disponibles por medio de citas de media hora o limitadamente sin cita para breves consultas. Consejería en línea está disponible en www.cerritos.edu/counseling. Los horarios del Centro de asesoría son Lunes a Jueves de 8 am a 7 pm; y el Viernes de 8 am a 2 pm (excluyendo verano).

PROGRAMAS Y SERVICIOS PARA ESTUDIANTES

DISCAPACITADOS (DSPS)

EXT. 2335

Los estudiantes con limitaciones educativas debido a una discapacidad pueden recibir adaptaciones y servicios de los Programas y servicios para estudiantes discapacitados (DSPS). DSPS atiende a estudiantes con discapacidades como movilidad, visuales, pérdida de la audición, psicológicas, del aprendizaje, autismo y otras discapacidades relacionadas con la salud. DSPS ha estado funcionando en Cerritos College desde 1969. Para obtener más información o para programar una cita llame al (562) 860-2451, ext. 2335; (562) 274-7164 (VP); o visite nuestro sitio web en www.cerritos.edu/dsps.

OFICINA DE AYUDA FINANCIERA

EXT. 2397

La Oficina de Ayuda Financiera ofrece becas, trabajo y oportunidades de estudio, préstamos y becas otorgadas por los gobiernos federales y estatales y agencias locales. La Solicitud Gratuita de Ayuda Federal para Estudiantes (FAFSA) puede llenarse en la web en www.fafsa.gov. El código de Cerritos College es 001161. El horario de la Oficina de Ayuda Financiera es Lunes a Jueves, 8 am – 7 pm; Viernes, 8 am – 12 pm Para obtener información adicional, visite nuestro sitio web en www.cerritos.edu/finaid.

ESTACIONAMIENTO

EXT. 2325

El estacionamiento en Cerritos College es únicamente con permiso. Las regulaciones de estacionamiento se deben cumplir las 24 horas del día, los 7 días de la semana. Se puede solicitar un permiso de estacionamiento semestral por Internet. Para hacerlo, regístrate en MyCerritos en y haga clic en el enlace “Buy Parking Permit” (Comprar permiso de estacionamiento). También se pueden comprar permisos en el campus, en la Oficina de Admisiones y Registros (Admissions and Records Office) durante el horario normal de atención, y en la Policía del Campus (Campus Police) cuando la Oficina de Admisiones y Registros esté cerrada, incluso los fines de semana. Se pueden comprar permisos por día, por \$2, en los dispensadores de boletos ubicados en nuestros estacionamientos para estudiantes. Todas las expendedoras de permisos aceptan billetes de dólar y monedas, pero no dan cambio ni reembolsos de ningún tipo. Todas las máquinas de permisos además aceptan tarjetas de crédito con una tarifa de 25 centavos por el servicio que se suma a cada transacción. Los dispensadores se encuentran cerca de la marquesina frente al gimnasio, en Falcon Way, y en los estacionamientos para estudiantes 1, 5, 6, 8 y 10. Los lugares de estacionamiento por tiempo también se encuentran disponibles en los estacionamientos 2, 6 y 8. Estos lugares requieren del pago y de la exhibición del permiso que es válido por hasta 2 horas. El estacionamiento en lugares reservados para el personal requiere un permiso vigente. Se permite que los vehículos con un cartel o una placa válida por discapacidad “DP” (persona discapacitada, por sus siglas en inglés), y un permiso por un día vigente y válido para estudiantes, estacionen en estacionamientos para el personal. La “acera de color azul” y los lugares de estacionamiento marcados para discapacitados no requieren un permiso de estacionamiento, si el vehículo tiene un cartel o una placa válida de “DP” (el dueño registrado del cartel de “DP” debe estar presente en todo momento cuando se use el cartel en el campus). Las personas que exhiban una placa o un cartel de “DP” no pueden estacionar en ningún momento en aquellos lugares de estacionamiento reservados para “personas que comparten el vehículo” o “miembros de la junta”. El estacionamiento para alumnos es gratuito durante la primera semana de cada semestre en cualquier espacio de estacionamiento marcado con líneas blancas. Tenga en cuenta que el semestre de verano tiene 2 sesiones y que el estacionamiento es gratuito únicamente durante la primera semana de la primera sesión.

SE PUEDE EMITIR UNA CITACIÓN DE ESTACIONAMIENTO A AQUELLOS VEHÍCULOS SIN UN PERMISO O QUE ESTÉN ESTACIONADOS DE FORMA INCORRECTA. CERRITOS COLLEGE NO ASUME NINGUNA RESPONSABILIDAD NI TAMPOCO ES RESPONSABLE DEL DAÑO O ROBO DE NINGÚN VEHÍCULO NI SUS CONTENIDOS. NO SE REEMPLAZAN LOS PERMISOS DE ESTACIONAMIENTO PERDIDOS O ROBADOS. CONSULTE EL CATÁLOGO DE LA UNIVERSIDAD SI DESEA OBTENER INFORMACIÓN ADICIONAL SOBRE ESTACIONAMIENTO.

If you have questions or need information in Spanish about Cerritos College, please call the Admissions and Records Office at (562) 860-2451, extension 2211. Office hours are Monday through Thursday, 8 am – 7 pm; Friday, 8 am – 12 pm. Additional information is available in Spanish on pages 10-14.

Si usted tiene preguntas o necesita información en español acerca del Colegio de Cerritos, llame por favor a la Oficina de Admisiones y Registro al número (562) 860-2451, extensión 2211. El horario de oficina es Lunes a Jueves, 8 am – 7 pm; Viernes, 8 am – 12 pm. Información adicional está disponible en español en las páginas 10-14.

DISABLED STUDENT PROGRAMS AND SERVICES

Students with educational limitations due to a disability may receive accommodations and services from Disabled Student Programs and Services (DSPS). DSPS serves students with disabilities such as mobility, visual, hearing loss, psychological, learning, autism, and other health-related disabilities. Students who wish to apply for DSPS services should come to the Liberal Arts/DSPS building to pick up a New Student Application. For further information, contact DSPS at (562) 860-2451, ext. 2335; (562) 274-7164 (VP); or visit our website at <https://www.cerritos.edu/dsps/>.

DSPS Services:

DSPS determines reasonable accommodations on a case by case basis by reviewing the disability verification documentation and engaging in an interactive process with each student. Following are some of the supportive services which may be approved as reasonable accommodations, depending on the nature of the student's educational limitations, to assure access to educational activities at Cerritos College:

- *Notetakers*
- *Testing accommodations*
- *Materials in alternate format*
- *Assistive Technology*
- *Sign language interpreters*
- *Assistive listening devices*
- *Priority enrollment*
- *Academic adjustments*

Additional services available through DSPS may include:

- *Counseling*
- *Enrollment assistance*
- *Illness notification*
- *Instructor liaison*
- *Assistive technology training*

Instructional Offerings:

Access Learning Courses (ACLR in the Schedule of Classes)

ACLR 86 – Introduction to Universal Design for Learning – 2.0 units

ACLR 87 – Using Scan-Read Technologies in Universal Design for Learning – 2.0 units

ACLR 91 – Career Exploration for Students with Disabilities – 1.0 unit

ACLR 101 – Increasing Your Access Potential – 2.0 units

Adapted Physical Education Courses (PEX in the Schedule of Classes)

PEX 100 – Sedentary Activities for Students with Disabilities – 1.0 unit

PEX 101 – Wheelchair Activities – 1.0 unit

PEX 102 – Adapted Cardiovascular Exercise – 1.0 unit

PEX 103 – Adapted Strength Training – 1.0 unit

PEX 104 – Adapted Strength and Relaxation – 1.0 unit

PEX 105 – Adapted Swimming – 1.0 unit

PEX 106 – Adapted Aquatics Exercise – 1.0 unit

PEX 107 – Adapted Team Sports – 1.0 unit

PEX 108 – Adapted Individual Sports – 1.0 unit



Disabled Student Programs and Services is located in the Liberal Arts/DSPS Building.

In accordance with the Americans with Disabilities Act, this information is available in alternate formats (Braille, enlarged type, e-text, etc.) and may be requested by calling (562) 860-2451, Ext. 2335.

SUCCESS CENTER

Do you need tutoring for any of your Cerritos College courses? Do you need help managing your time efficiently? Do you need to learn how to take good lecture notes or learn how to better study from your textbook? Do you need help dealing with the stress of going to college? The Success Center can provide the answers and the help that you're looking for. All Cerritos College students may attend any of the free services listed below. Visit the Success Center, located in the LRC, for more information or visit the Center's website at www.cerritos.edu/sc.

Individualized Instruction from Faculty

Faculty members are available at various times for assistance in math, English, English as a Second Language, and reading.

Technology Training & Computer Proficiency

Training sessions are offered in word processing, spreadsheets, multimedia presentations, MyFoundationsLab, Canvas, etc.

Support for Online Students

Walk-in support for online students
Online tutoring
Online FAQ's

Tutorial Services

Walk-in math & English tutoring
Tutoring by appointment in other subjects
Smarthinking Online Tutoring

Workshops

Workshops in various topics such as, How to Read Your Textbook, How to Take Great Notes, Stress Management, Student Success, and many more!



STUDENT SERVICES AND POLICIES

ASSOCIATED STUDENTS

The Associated Students of Cerritos College (ASCC) provides the governing body that finances, organizes, and directs many programs for the student population. It co-sponsors with the district such activities as touchtone registration, athletics, choir, band, forensics, drama, and the student newspaper. Students are encouraged to participate in campus clubs and organizations. The club program is an ever-growing phase of campus life, with new clubs forming every year. With more than 60 clubs, students are provided the opportunity to become involved in curricular, special interest, and social programs. The Inter-Club Council meets regularly to give all clubs and organizations the chance to share their activities collectively. For additional information about the ASCC and campus clubs, please stop by the Office of Student Affairs, or call (562) 860-2451, ext. 2458.

STATEMENT OF STUDENT RIGHTS AND RESPONSIBILITIES PREAMBLE

The community college exists for the transmission of knowledge, the pursuit of truth, the development of students, and the general well-being of society. Free inquiry and free expression are indispensable to the attainment of these goals. As members of the academic community, students should be encouraged to develop the capacity for critical judgment and to engage in a sustained and independent search for truth and knowledge.

Freedom to teach and freedom to learn are inseparable facets of academic freedom. The freedom to learn depends upon appropriate opportunities and conditions in the classroom, on the campus, and in the larger community. Students should exercise their freedom with responsibility so as not to endanger the rights, goals, and beliefs of other students.

Cerritos College is open to all qualified students regardless of national origin, religion, age, gender, gender identity, gender expression, race or ethnicity, color, medical condition, genetic information, ancestry, sexual orientation, marital status, physical or mental disability, pregnancy, or because he or she is perceived to have one or more of the foregoing characteristics, or based on association with a person or group with one or more of these actual or perceived characteristics, or any other status protected by law in person or in an online environment and, when the victim or victims are associated with the District, whether or not the location is associated with the District.

CLASSROOM RIGHTS AND RESPONSIBILITIES

The professor in the classroom and in conference should permit free discussion, inquiry, and expression of thought by the student. Student performance should be evaluated solely on an academic basis, not on opinions or willingness to accept professors' personal beliefs, or conduct unrelated to academic standards. Students should be free to take reasoned exception to the data or views offered in any course of study for which they are enrolled and for maintaining standards of academic performance established for each course in which they are enrolled. The student has the right to have the course taught in a systematic, meaningful manner and to know at the beginning of the course those academic standards required of the student in the course.

Administrative staff and faculty members should respect confidential information about students, such as student views, beliefs, and political associations, that is acquired in the course of their work. Transcripts of academic records should contain only information about academic status.

ON THE CAMPUS RIGHTS AND RESPONSIBILITIES

Students should be free to examine and discuss all questions of interest to them, and express opinions publicly and privately. They should be

free to organize and join associations to promote their common interests. The membership, policies, and actions of a student organization will be determined by vote of only those persons who hold bona fide membership in that college organization. Campus advisors shall advise organizations in the exercise of their rights and responsibilities.

Student organizations shall be required to submit a statement of purpose, criteria for membership, rules of procedures, a current list of officers, and the advisor shall certify the list of verified members. Campus organizations should be open to all students.

Students and student organizations should be free to support causes by orderly means which do not disrupt the regular and essential operation of the college. Student organizations shall have the right to recommend, invite, and hear any person of their own choosing as long as such speakers and topics are in accordance with federal, state, and local laws, and guarantee the safety of students and protection of public property. Guest speakers invited by students or student organizations should be subjected only to those policies, requirements, and regulations as established by the Board of Trustees in order to insure an appropriate and meaningful contribution to the academic community. It should be made clear to the academic community and the larger community that the public expressions of students, student organizations, and guest speakers speak only for themselves.

As constituents of the academic community, students should be free, individually and collectively, to express their views on issues of institutional policy, instruction, the evaluation of professors as it pertains to their course content, and on matters of general interest to the student body.

IN THE LARGER COMMUNITY

College students are both citizens and members of the academic community. As citizens, students should enjoy the same freedom of speech, peaceful assembly, and right of petition that other citizens enjoy. As citizens, they should be subject to civil law as others and may incur penalties prescribed by civil authorities when violating these laws. Only where the college's interest as an academic community are distinct and clearly involved should the special authority of the college be asserted.

STUDENT PUBLICATIONS

Student publications and the student press perform the traditional roles of informing, entertaining, and influencing. They are both instructional and informational, and as such should meet the highest academic and professional standards in serving the broad college community and should set forth as the primary goal of the student newspaper the coverage of news events, happenings, and experiences on the college campus.

Associated Student Body, administrative and academic authorities, in consultation with students and advisors have the responsibility to define and clarify the role of student publications, and the standards to be used in their evaluation.

They must also assure that both academic freedom and editorial freedom are protected and exercised so that the integrity of the student publications program and the free press will not be compromised.

It is incumbent upon student editors and managers to act according to the highest ethics of responsible journalism. This corollary responsibility includes careful adherence to the laws of libel and good taste, and such considerations as the avoidance of indecency, undocumented allegations, attacks on personal integrity, and the techniques of harassment and innuendo, and should allow adequate space for rebuttal and differing views in regard to articles in which there is some controversy.

STUDENT SERVICES AND POLICIES

Safeguards to assure freedom of the student press with responsibility should include freedom from censorship or arbitrary control of the press, and protection of editors and managers from arbitrary attack, suspension, or removal because of disapproval of editorial policy or content by any external influence.

STUDENT RIGHTS AND GRIEVANCES

Note: Complaints under Section 504, Section 508, and/or the Americans with Disabilities Act are to be made to the Section 504/508/ADA Coordinator in the Disabled Student Programs and Services Office or to the Diversity/Compliance/Title IX Officer in the Human Resources Office. Complaints of sexual harassment and other illegal discrimination are to be made to the Diversity/Compliance/Title IX Officer in the Human Resources Office or the Vice President of Human Resources.

If a student files a grievance under this procedure that includes an allegation of unlawful discrimination, including harassment or retaliation, the grievance, or portion of the grievance, will immediately be referred to: (i) the Diversity/Compliance/Title IX Officer or to the Vice President of Human Resources or designee per AP 3435, "Intake and Processing of the Complaint"; or to (ii) the Cerritos College Section 504/ADA Coordinator per Administrative Procedure 3412, for attempted informal resolution or investigation.

STUDENT GRIEVANCE PROCEDURES

A student of the College may address grievances as applied to and regarding academic, administrative, and instructional matters relating to students, and including, but not limited to, any grievance dealing with any academic or management employee of the District.

A grievance shall herein be defined as any act depriving a student of any of the rights set forth in the statement of "Student Rights and Responsibilities," or any state, federal, or local codes. Grades and grading grievances are not addressed within this administrative procedure. The student should refer to "Student Grade Grievance Procedure."

The determination of whether the Statement of Grievance presents sufficient grounds for a hearing shall be based on the following:

- The statement contains facts which, if true, would constitute a grievance under these procedures;
- The grievant is a student, which includes applicants and former students;
- The grievant is personally and directly affected by the alleged grievance;
- The grievance was filed in a timely manner;
- The grievance is not clearly frivolous, clearly without foundation, or clearly filed for purposes of harassment.

If the grievance does not meet each of the requirements, the Office of Student Conduct and Grievance or ASCC Chief Justice or designee shall notify the student in writing of the rejection of the request for a grievance hearing, together with the specific reasons for the rejection and the procedures for appeal.

GRIEVANCE PROCEDURE (EXCEPT GRADES AND GRADING, SEXUAL HARASSMENT, AND OTHER ILLEGAL DISCRIMINATION):

STEP I - INFORMAL ACTION

- A. The student with a grievance shall first attempt to resolve the matter by informal discussion with the employee(s) involved.
- B. If the problem is not resolved in step I-A, the student shall then attempt to resolve the matter by informal discussion with

the person at the lowest level of supervisory authority for the person with whom there is a complaint.

- C. If the grievant still believes the issue has not been resolved satisfactorily after Step I-B, a student Statement of Grievance Form may be obtained from the Office of Student Conduct and Grievance. After completion of the Form specifying the time, place, nature of the complaint, and remedy or correction requested; it should be submitted to the Coordinator of Student Conduct and Grievance who will send a copy of the written statement to the ASCC Supreme Court Chief Justice and the Vice President of Academic Affairs. This statement must be submitted within 30 instructional days after the grievant has become aware of the act or condition on which the complaint is based. An instructional day is defined as any day Monday through Friday that all normal college business is conducted, both in the classroom and administrative offices. All weekend days and college holidays are excluded.
- D. The ASCC Chief Justice or Court designee shall attempt to resolve the problem through informal meeting and discussion among the pertinent parties while remaining neutral on all issues involved. This informal meeting and discussion is intended to include the levels of management or administration concerned with the problem and should be completed within ten instructional days, as such days are defined herein. In the event the informal procedure fails, the formal procedure may be implemented.

STEP II - FORMAL ACTION

A. PRELIMINARY STEPS

1. If the grievant does not believe the grievance has been resolved, the grievant may request Step II-Formal Action through the ASCC Chief Justice. The Chief Justice upon receiving the request of the grievant shall call a meeting of the Student Grievance Hearing Committee. The Hearing Committee will be composed in the following manner:
 - ASCC Chief Justice or designee and two Court Justices or designees,
 - the Vice President of Academic Affairs or administrative designee,
 - the Faculty Senate President or Senate designee, and
 - one Faculty Senate member, chosen by the Faculty Senate.

If replaced per section II.A.5. herein, the ASCC Chief Justice or designee or Court Justices or designees substitute(s) shall be appointed by the ASCC Court.

2. The Chief Justice or designee shall serve as the Hearing Committee Chair, but shall have no vote in committee decisions. The five voting members of the Hearing Committee may be selected within the first six weeks of the academic year. Names selected by the Faculty Senate are to be submitted to the Chief Justice. Members of the Committee are to serve for an academic year.
3. The Vice President of Academic Affairs or administrative designee shall serve as Hearing Committee Executive Secretary. The Executive Secretary, a voting member of the committee, shall be responsible for keeping necessary records of committee hearings and assist the ASCC Chief Justice in the conduct of the hearing.
4. Grievance Committee members are to deal with all grievances in a confidential manner, except when both parties agree to a public hearing or otherwise required by law.

STUDENT SERVICES AND POLICIES

5. No person shall serve as a member of a Hearing Committee if that person has been personally involved in any matter giving rise to the grievance, has made any statement on the matters at issue, or could otherwise not act in a neutral manner. Any party to the grievance may challenge for cause any member of the hearing committee prior to the beginning of the hearing by addressing a challenge to the Hearing Committee Chair, who shall determine whether cause for disqualification has been shown. If the Hearing Committee Chair determines that sufficient grounds for removal of a member of the committee have been presented, the Hearing Committee Chair shall remove the challenged member or members and request a substitute from the original appointing constituent group.
- B. FORMAL HEARING
- The Hearing Committee shall conduct its proceedings according to the following procedures:
1. The Hearing Committee must meet within 15 instructional days after informal action has been completed and the grievant has requested a formal hearing.
 2. The Chair must notify the parties involved within five instructional days before the hearing of the date, time, and location of the hearing and must include a copy of the written complaint, a copy of the Statement of Student Rights and Responsibilities, and copy of the Grievance Procedure.
 3. Four members shall constitute a quorum by which Hearing Committee business may proceed. The quorum must include at least one student member, one faculty member, and one administrative member.
 4. The members of the Hearing Committee shall be provided with a copy of the grievance and any written response provided by the respondent before the hearing begins.
 5. Both parties shall have the right to present personal statements, testimony, evidence, and witnesses. Formal rules of evidence shall not apply. Any relevant evidence shall be admitted. Unless the Hearing Committee determines to proceed otherwise, each party to the grievance shall be permitted to make an opening statement. Thereafter, the grievant or grievants shall make the first presentation, followed by the respondent or respondents. The grievant(s) may present rebuttal evidence after the respondent(s)' evidence. The burden shall be on the grievant or grievants to prove by substantial evidence that the facts alleged are true.
 6. Each party shall have the right to be present, to be accompanied by the person of his or her choice (who may not participate in the hearing), and to question witnesses who are present. In a closed hearing, witnesses shall not be present at the hearing when not testifying, unless all parties and the committee agree to the contrary.
 7. The hearing shall be recorded by the Coordinator of Student Conduct and Grievance, either by audio recording or stenographic recording, and shall be the only recording made. No witness who refuses to be recorded may be permitted to give testimony. The audio or stenographic recording shall remain in the custody of the District, at all times, unless released to a professional transcribing service. Any recognized party to the grievance may request a copy of the recording.
 8. The Hearing Committee Chair shall, at the beginning of the hearing, ask each person present to identify themselves by name, and thereafter shall ask witnesses to identify themselves by name.
 9. The Hearing Committee shall discuss the stated grievance(s), hear testimony, examine witnesses, and receive all available evidence to the charge.
 10. The hearing shall be closed to the public unless otherwise agreed upon in writing by both parties.
 11. The Hearing Committee shall make decisions in private. The Hearing Committee shall write up findings and decisions. Copies of findings and decisions, including majority and minority reports, are to be sent to each party and the appropriate Vice President. The Hearing Committee's decision(s) shall be final unless appealed.
 12. A recording of the proceedings shall be kept in a confidential file in the Office of Student Conduct and Grievance and shall be available at all times to parties directly involved. All documents, communications, and records dealing with the processing of a grievance will be filed separately from the personnel files of the participants. After a period of four years, the grievance file shall be destroyed.
 13. Reprisals of any kind will not be taken by the District or any of its agents against any party of interest or any other participant in the grievance procedure by reason of such participation.
 14. Evidence and testimony given in each case presented shall not be the sole cause of initiating or filing further grievances.
 15. If the grievant does not act within the time limits provided herein, the ability to proceed with the grievance shall be terminated and no further action will be taken.
 16. The number of instructional days indicated at each step herein should be considered a maximum and every effort must be made to expedite the process. Time limits may be extended by mutual consent in writing or by decision of the Hearing Committee.
 17. The Hearing Committee should attempt to reach a decision by discussion and consensus on a workable solution. Voting should be a last course of action.
 18. If in the course of the proceedings a student graduates before a solution is found, the student shall not be denied full consideration under this policy. A student may also submit a grievance after graduation if the grievance did not become known until that time. However, it must be submitted within 30 instructional days after the grievant should have reasonably become aware of the act or condition on which the complaint is based.
- ### APPEALS PROCESS
1. If a party wishes to formally appeal a recommendation of the Hearing Committee, an appeal must be submitted within ten instructional days to the appropriate Vice President provided the appropriate Vice President is not a direct party to the grievance. If the appropriate Vice President is a direct party to the grievance, and either party is dissatisfied with the recommendation of the Hearing Committee, an appeal may be submitted to a Vice President/Assistant Superintendent not a direct party to the grievance.

STUDENT SERVICES AND POLICIES

2. Upon receiving the findings and recommendations of the Hearing Committee, and after examination of the appeal as requested by either party, the appropriate Vice President or alternate may accept or reject the Hearing Committee's decision.
3. If the appropriate Vice President or alternate rejects the Hearing Committee's decision, he or she shall submit his/her decision with the stated reasons for objections to the Hearing Committee within ten instructional days. The Hearing Committee shall within ten instructional days reconsider its decision(s) and submit its decisions to the appropriate Vice President for a final decision.
4. The appropriate Vice President shall transmit his or her final decision to the parties within ten instructional days.
5. An appeal of the appropriate Vice President's decision may be submitted to the President/Superintendent by either party within five instructional days of the appropriate Vice President's decision. The President/Superintendent shall transmit his or her final decision to the parties within ten instructional days.
6. An appeal of the President/Superintendent's decision may be submitted to the Board of Trustees by either party within five instructional days of the President/Superintendent's decision. The Board of Trustees may review an appeal for two consecutive regular Board meetings before making a final determination of the matter at the District level.
7. The President/Superintendent or designee, or the Board of Trustees may reject a Hearing Committee decision only after reviewing a transcription of the involved hearing.

STUDENT GRADE GRIEVANCE PROCEDURE

A student of the College may present a grade grievance. The California Education Code, Section 76224, quoted, states for a final course grade the conditions upon which grades or grading can be questioned.

"When grades are given for any courses of instruction taught in a community college district, the grade given to each student shall be determined by the instructor of the course and the determination of the student's grade by the instructor, in the absence of mistake, fraud, bad faith, or incompetence, shall be final." "Mistake" may include, but is not limited to, errors made by an instructor in calculating a student's grade and clerical errors.

Definitions

Fraud – Fraud consists of some deceitful practice with intent to deprive another of their right.

Bad Faith – Intentional design to mislead or deceive another, or neglect or refusal to fulfill some duty or contractual obligation.

Incompetence – That a person is incapable, inefficient, and without the qualities needed to discharge their obligations and duties.

Mistake – An unintentional act, omission, or error.

Instructional Day - Any day Monday through Friday that all normal college business is conducted, both in the classroom and in the administrative offices. All weekend days and college holidays are excluded.

STEP I – INDIVIDUAL ACTION

If a student believes they have valid grounds to challenge a final course grade based on the presence of a mistake, fraud, bad faith, or incompetence, they must first meet with the faculty member to attempt to resolve his or her concern informally. Once grades are available, the student is expected to contact their instructor directly to discuss the dispute. If the instructor is not available or is no longer employed, the student should contact the Division Dean.

When challenging a grade, the burden of proof is on the student to provide evidence of mistake, fraud, bad faith, or incompetence.

STEP II – MANAGEMENT ACTION

Note: If a student files a grade grievance that includes an allegation of unlawful discrimination, including harassment or retaliation, the grievance, or portion of the grievance, will immediately be referred to (i) the Diversity/Compliance/Title IX Officer or to the Vice President of Human Resources or designee per AP 3435, "Intake and Processing of the Complaint" or to (ii) the Cerritos College Section 504/ADA Coordinator per AP 3412, for attempted informal resolution or investigation.

1. The student will submit the Grade Grievance Form on the Office of Student Conduct and Grievance website within 30 instructional days after the completion of the course about which the grade grievance is filed. Information from the form will be used to create a Grade Grievance Petition, provided to the student during the meeting with the Student Conduct Coordinator. Students may obtain an alternate electronic format of this form by request to the Student Conduct Coordinator or Dean of Student Services. Stated deadline still applies.
2. The Student Conduct Coordinator will meet with the student to review this procedure and the Grade Grievance Petition. The student must schedule and meet with the Student Conduct Coordinator within 10 instructional days of submitting the form. If the student wishes to pursue the grievance, the Student Conduct Coordinator will sign and date the Petition and provide to the student. In the absence of the Coordinator, the Dean of Student Services will perform these duties.
3. The student will present a copy of the Grade Grievance Petition and all supporting evidence to the applicable Division Dean within 10 instructional days of obtaining the signature of the Student Conduct Coordinator. The Division Dean may schedule a meeting with the student and the faculty if appropriate. The Division Dean shall render a decision, and communicate the decision in writing to all parties within 15 instructional days. The outcome notice must include a summary of the grievance allegations, findings from review of the grievance and supporting evidence, a statement of analysis and determination, and instructions for appeal.

STEP III – ADMINISTRATIVE ACTION

If either party is dissatisfied with the decision of the Division Dean, he or she may appeal the matter to the Vice President of Academic Affairs or designee within ten instructional days of the Division Dean's recommendation. The Vice President of Academic Affairs or designee shall call a meeting with the student, the ASCC Chief Justice, the Division Dean, and if needed, the faculty member. The Vice President of Academic Affairs or designee shall transmit his or her decision to the parties within ten instructional days.

The outcome notice must include a summary of the grievance allegations and prior findings, findings from review of the grievance appeal and supporting evidence, a statement of analysis and determination, and instructions for appeal.

STUDENT SERVICES AND POLICIES

STEP IV – BOARD OF TRUSTEES ACTION

If either party is dissatisfied with the decision of the Vice President of Academic Affairs or designee, an appeal may be submitted to the Board of Trustees. The appeal must be submitted within ten instructional days of the Vice President of Academic Affairs or designee's decision. The Board may review an appeal for two consecutive regular Board meetings during closed session, and if needed, request persons involved in the grievance to appear before making a final determination of the matter at the District level. Following final determination, the outcome will be recorded in the Board minutes and notice provided to all parties in writing from the Office of the President within ten instructional days. The outcome notice must include a summary of the grievance allegations and prior findings, findings from review of the grievance appeal and supporting evidence, and the statement of final determination.

Any times specified in these procedures may be shortened or lengthened if there is mutual concurrence by all parties.

ADDITIONAL INFORMATION

Most complaints, grievances, and disciplinary matters should be resolved at the college level. If a complaint does not fall into one of the college's established procedures, it may be addressed in writing to the President/Superintendent. Individuals are strongly encouraged to make every attempt to resolve matters through the appropriate administrative processes.

Matters that are not resolved at the college level may be submitted to one or more of the following agencies for consideration:

- The Accrediting Commission for Community and Junior Colleges (ACCJC) at <http://www.accjc.org/complaint-process>, if the complaint is associated with the institution's compliance with academic program quality and accrediting standards. The ACCJC is the agency that accredits the academic programs of the California Community Colleges.
- If the complaint does not concern the college's compliance with academic program quality and accrediting standards, it may be directed to the California Community Colleges Chancellor's Office by completing the web form found at <http://californiacommunitycolleges.cccco.edu>.

STANDARDS OF STUDENT CONDUCT

The President/Superintendent shall establish procedures for the imposition of discipline on students in accordance with the requirements for due process of the state and federal laws and regulations.

The procedures shall clearly define the conduct that is subject to discipline, and shall identify potential disciplinary actions, including but not limited to the removal, suspension, or expulsion of a student.

A complainant or witness who participates in an investigation of sexual assault, domestic violence, dating violence, or stalking will not be subject to disciplinary sanctions for a violation of the District's student conduct policy at or near the time of the incident, unless the District determines that the violation was egregious, including but not limited to, an action that places the health or safety of any other person at risk or involves plagiarism, cheating, or academic honesty.

Due process requires that in all significant disciplinary situations a student is informed of charges against him/her, is given an opportunity to refute them, and has the opportunity to appeal a decision.

The Board of Trustees shall consider any recommendation from the President/Superintendent for expulsion. The Board of Trustees shall consider an expulsion recommendation in closed session unless the student requests that the matter be considered in a public meeting. Final action by the Board of Trustees on the expulsion shall be taken at a public meeting.

The procedures shall be made widely available to students through the College catalog and other means.

Students enrolling in Cerritos College assume an obligation to abide by all District regulations on District-owned or controlled property or at District-sponsored or supervised functions.

Students who fail to adhere to District regulations are subject to disciplinary actions.

In all disciplinary actions, the student shall be informed of the nature of the charges against him/her and given a fair opportunity to refute them. The District shall not be arbitrary in its actions.

The following conduct while on District-owned or controlled property or at District-sponsored or supervised functions shall constitute good cause for discipline, including but not limited to the removal, suspension, or expulsion of a student.

1. Assault, battery, or any threat of force or violence, or causing, attempting to cause, or threatening to cause physical injury to another person, in person or in an online environment and, when the victim or victims are associated with the District, whether or not the location is associated with the District.
2. Possession, use, sale, or otherwise furnishing any firearm, knife, explosive, or other dangerous object or chemical, including but not limited to any facsimile firearm, knife, or explosive on District-owned or controlled property or at District-sponsored or supervised functions without the prior authorization of the President/Superintendent or designee.
3. Unlawful possession, use, sale, offer to sell, or furnishing, or being under the influence of, any controlled substance listed in Chapter 2 (commencing with Section 11053) of Division 10 of the California Health and Safety Code, an alcoholic beverage, or an intoxicant of any kind; or unlawful possession of, or offering, arranging, or negotiating the sale of any drug paraphernalia, as defined in California Health and Safety Code, Section 11014.5.
4. Committing or attempting to commit robbery or extortion.
5. Theft, attempted theft of, or willful damage to District property or property in the possession of, or owned by, a member of the college community or knowingly receiving stolen property or private property on District premises.
6. Willful or persistent smoking in any area where smoking has been prohibited by law or by regulation of the District.
7. Committing sexual harassment as defined by law or by District policies and procedures in person or in an online environment and, when the victim or victims are associated with the District, whether or not the location is associated with the District.
8. Engaging in harassing or discriminatory behavior based on national origin, religion, age, gender, gender identity, gender expression, race or ethnicity, color, medical condition, genetic information, ancestry, sexual orientation, marital status, physical or mental disability, pregnancy, or because he or she is perceived to have one or more of the foregoing characteristics, or based on association with a person or group with one or more of these actual or perceived characteristics, or any other status protected by law in person or in an online environment and, when the victim or victims are associated with the District, whether or not the location is associated with the District.
9. Engaging in intimidating conduct or bullying against another student through words or actions, including direct physical contact; verbal assaults, such as teasing or name-calling; social isolation or manipulation; and cyberbullying.

STUDENT SERVICES AND POLICIES

10. Willful misconduct that results in injury or death to a student, client, patient, visitor, guest, or to District personnel or that results in cutting, defacing, or other injury to any real or personal property owned by the District or on campus.
11. Endangering a student, client, patient, visitor, guest, or District employee or contributing to or causing harm to the health, safety, and/or well-being of such others.
12. Disruptive behavior, continual or willful disobedience and/or persistent defiance of the authority, habitual profanity or vulgarity, or abuse of District personnel or where the presence of the student causes a continuing danger to the physical safety of students or others.
13. Cheating, or engaging in other academic dishonesty including copying from another's work; discussion prohibited by the instructor; obtaining exam copies without permission; and using notes, other information, or devices that have been prohibited.
14. Misrepresentation and/or impersonation, including arranging for or allowing another individual to impersonate or otherwise misrepresent himself or herself to be a student generally or to be a particular student either in person or in an online environment, and/or impersonating or otherwise misrepresenting oneself to be another person in person or in an online environment.
15. Plagiarism, in individual or group work or in a student publication, including the act of taking the ideas, words or specific substantive material of another and offering them as one's own without giving credit to the source.
16. Dishonesty; forgery; alteration or misuse of District documents, records, or identification; or knowingly furnishing false information to the District.
17. Unauthorized entry upon, into, or use of District facilities, either in person or in an online environment.
18. Lewd, indecent or obscene conduct on District-owned or controlled property; or at District-sponsored or supervised functions; or directed at and for the purpose of harming another individual or group associated with the District, whether carried out in person or in an online environment, and whether or not the location is associated with the District.
19. Engaging in expression that is obscene, libelous or slanderous, or that so incites students as to create a clear and present danger of the commission of unlawful acts on college premises, or the violation of lawful District administrative procedures, or the substantial disruption of the orderly operation of the District.
20. Persistent serious misconduct where other means of correction have failed to bring about proper conduct.
21. Unauthorized preparation, giving, selling, transfer, distribution, or publication, for any commercial purpose, of any contemporaneous recording of an academic presentation in a classroom or equivalent site of instruction, including but not limited to handwritten or typewritten class notes, except as permitted by any Board policy or administrative procedure.
22. Unauthorized use of audio, video or other listening, recording or transmitting device in any classroom, service area, or District activity without prior consent of the instructor, service area manager, or activity advisor except as necessary for reasonable accommodation.
23. Failure, as a person involved in sexual activity, to ensure that he or she has the affirmative consent of the other or others to engage in the sexual activity. Lack of protest or resistance does not mean consent, nor does silence mean consent.
 - Affirmative consent must be ongoing throughout a sexual activity and can be revoked at any time. The existence of a dating relationship between the persons involved, or the fact of past sexual relations between them, should never by itself be assumed to be an indicator of consent. "Affirmative consent" means affirmative, conscious, and voluntary agreement to engage in sexual activity.
 - a. In the evaluation of complaints in any disciplinary process, it shall not be a valid excuse to alleged lack of affirmative consent that the accused believed that the complainant consented to the sexual activity under either of the following circumstances:
 - i. The accused's belief in affirmative consent arose from the intoxication or recklessness of the accused.
 - ii. The accused did not take reasonable steps, in the circumstances known to the accused at the time, to ascertain whether the complainant affirmatively consented.
 - b. In the evaluation of complaints in the disciplinary process, it shall not be a valid excuse that the accused believed that the complainant affirmatively consented to the sexual activity if the accused knew or reasonably should have known that the complainant was unable to consent to the sexual activity under any of the following circumstances:
 - i. The complainant was asleep or unconscious.
 - ii. The complainant was incapacitated due to the influence of drugs, alcohol, or medication, so that the complainant could not understand the fact, nature, or extent of the sexual activity.
 - iii. The complainant was unable to communicate due to a mental or physical condition.
24. Sexual assault, defined as actual or attempted sexual contact with another person without that person's consent, regardless of the victim's affiliation with the college; and, effective January 1, 2016, regardless of whether such conduct is related to college activity or college attendance; including, but not limited to, any of the following: (1) Intentional touching of another person's intimate parts without that person's consent or other intentional sexual contact with another person without that person's consent. (2) Coercing, forcing, or attempting to coerce or force a person to touch another person's intimate parts without that person's consent. (3) Rape, which includes penetration, no matter how slight, without the person's consent, of either of the following: (A) The vagina or anus of a person by any body part of another person or by an object. (B) The mouth of a person by a sex organ of another person.
25. Sexual exploitation, defined as a person taking sexual advantage of another person for the benefit of anyone other than that person without that person's consent, regardless of the victim's affiliation with the college; and, effective January 1, 2016, regardless of whether such conduct is related to college activity or college attendance; including, but not limited

to, any of the following: (1) Prostituting another person. (2) Recording images, including video or photograph, or audio of another person's sexual activity, intimate body parts, or nakedness without that person's consent. (3) Distributing images, including video or photograph, or audio of another person's sexual activity, intimate body parts, or nakedness, if the individual distributing the images or audio knows or should have known that the person depicted in the images or audio did not consent to the disclosure and objected to the disclosure. (4) Viewing another person's sexual activity, intimate body parts, or nakedness in a place where that person would have a reasonable expectation of privacy, without that person's consent, and for the purpose of arousing or gratifying sexual desire.

26. Misrepresentation of oneself or of an organization to be an agent of the District.
27. Continued disruption on or off District property of the District's educational or student services activities, administrative functions and procedures, public service functions, authorized curricular or co-curricular activities, other functions, or prevention of authorized guests from carrying out the purpose for which they are on District property.
28. Abuse of any person, or any possession of any person, on District-owned or controlled property.
29. Violation of state or local laws, Board policies, or administrative procedures concerning the registration of student organizations, the use of District facilities, or the time, place, and manner of public expression.
30. Abusive behavior directed toward coercion of, or hazing of, or bullying of a member of the college community, in person or in an online environment and, when the victim or victims are associated with the District, whether or not the location is associated with the District.
31. Violation of Board policies or administrative procedures governing the use of student user accounts, Computers, and telecommunication resources, including but not limited to the unauthorized entry, opening, or viewing of a file; the unauthorized use of another individual's identification and password; arranging for, allowing, and/or impersonation of one person by another; sending obscene or abusive messages or files; and/or use of computing facilities to interfere with the work of another student or employee of the District.
32. Engaging in physical or verbal disruption, intimidation, or harassment of such severity or pervasiveness as to have the purpose or effect of unreasonably interfering with a student's academic performance, or District employee's work performance, or of creating an intimidating, hostile or offensive educational or work environment, in person or in an online environment and, when the victim or victims are associated with the District, whether or not the location is associated with the District.
33. Violation of a duly issued restraining order, stalking, and/or a pattern of conduct with intent to follow, alarm, or harass another person, and which causes the person to reasonably fear for his or her safety, and where the pattern of conduct persisted after the person has demanded that the pattern of conduct cease.
34. Failure to identify oneself when requested to do so by District officials acting in the performance of their duties.
35. Any other cause not listed above which is identified as "Good Cause" by the Education Code or that disrupts the college, its mission, or campus life.

ACADEMIC HONESTY/DISHONESTY POLICY

Your instructors are eager to help you succeed in your studies at Cerritos College. But success means more than just receiving a passing grade in a course. Success means that you have mastered the course content so that you may use that knowledge in the future, either to be successful on a job, or to continue on with your education in advanced classes.

Your success depends on a combination of the skill and knowledge of your instructors, and your own hard work. You will reach your future goals only if you gain new knowledge from every course you take. That knowledge becomes yours and can be used by you, only if it is gained through your own personal efforts. Receiving a grade in a course, without acquiring the knowledge that goes with it, diminishes your chances for future success.

While in college, you are also shaping the principles which will guide you throughout the rest of your life. Ethical behavior and integrity are a vital part of those principles. A reputation for honesty says more about you, and is more highly prized, than simply your academic skills.

For this reason, academic honesty is taken very seriously by the Cerritos College faculty. The following guidelines have been prepared so that you will understand what is expected of you in maintaining academic honesty.

Academic Dishonesty is normally to be dealt with as an academic action by the instructor, reflected in the student's grade in the particular course, rather than through college disciplinary procedures. No specific departmental, divisional or institutional procedures are established for academic dishonesty other than the normal process for review and appeal of an instructor's grading procedures.

Academic Dishonesty is defined as the act of obtaining or attempting to obtain credit for work by the use of any dishonest, deceptive, or fraudulent means. Examples of academic dishonesty would include, but not be limited to the following:

- Copying, either in part or in whole, from another's test or examination;
- Discussion of answers or ideas relating to the answers, on examination or test when such discussion is prohibited by the instructor;
- Obtaining copies of an exam without the permission of the instructor;
- Using notes, "Cheat sheets," or otherwise utilizing information or devices not considered appropriate under the prescribed test conditions;
- Altering a grade or interfering with the grading procedures in any course;
- Allowing someone other than the officially enrolled student to represent the same;
- Plagiarism, which is defined as the act of taking the ideas, words or specific substantive material of another and offering them as one's own without giving credit to the source.

Options may be exercised by the faculty member to the extent that the faculty member considers the cheating or plagiarism to manifest the student's lack of scholarship or to reflect on the student's lack of academic performance in the course. One or more of the following actions are available to the faculty member who suspects a student has been cheating or plagiarizing:

1. Review-no action.
2. An oral reprimand with emphasis on counseling toward prevention of further occurrences.
3. A requirement that work be repeated.
4. A reduction of the grade earned on the specific work in question, including the possibility of no credit for the work.

STUDENT SERVICES AND POLICIES

5. A reduction of the course grade as a result of item 4 above, including the possibility of a failing grade for the course.
6. Referral to the Office of Student Conduct and Grievance for further administrative action, such as suspension or expulsion.

STUDENT DISCIPLINE PROCEDURES

Student Conduct Programs should contribute to the teaching of appropriate individual and group behavior as well as to protecting the campus community from disruption and harm. The Programs should be conducted in ways that will serve to foster the ethical development and personal integrity of students and the promotion of an environment that is in accord with the overall educational goals of the institution. This procedure will be used in a fair and equitable manner, and not for purposes of retaliation. It is not intended to substitute for criminal or civil proceedings that may be initiated by other agencies.

These Administrative Procedures are specifically not intended to infringe in any way on the rights of students to engage in free expression as protected by the state and federal constitutions, and by Education Code Section 76120, and will not be used to punish expression that is protected.

The Office of Student Conduct and Grievances is responsible for the student conduct and sanctioning procedures of the college. Inquiries should be directed to the Office of Student Conduct and Grievances.

STUDENT CONDUCT PROCEDURES AND SANCTIONS

Definitions

District – The Cerritos Community College District.

Day – A day is defined as any day Monday through Friday that all normal College business is conducted, both in the classroom and in the administrative offices. All weekend days and College holidays are excluded.

Student – Any person currently enrolled as a student of the District.

Instructor – Any academic employee of the District in whose class a student subject to discipline is or was enrolled, or counselor who is providing or has provided services to the student, or other academic employee who has responsibility for the student's educational program.

Written or verbal reprimand – An admonition to the student to cease and desist from conduct determined to violate the Standards of Student Conduct. Written reprimands may become part of a student's permanent record at the college. A record of the fact that a verbal reprimand has been given may become part of a student's record at the college for a period of up to one year.

Disciplinary Probation – A period on probation that may include, but is not limited to, exclusion of the individual from designated co-curricular activities of the college for a set period of time.

Removal from class – Exclusion of the student by an instructor for the day of the removal and the next class meeting.

Withdrawal of Consent to Remain on Campus – Withdrawal of consent by the President/Superintendent or designee for any person to remain on campus in accordance with California Penal Code Section 626.4 where the President/Superintendent or designee has reasonable cause to believe that such person has willfully disrupted the orderly operation of the campus.

Short-term Suspension – Exclusion of the student by the President/Superintendent or designee for good cause from one or more classes for a period of up to ten consecutive days of instruction.

Long-term Suspension – Exclusion of the student by the President/Superintendent or designee for good cause from one or more classes for the

remainder of the school term, or from all classes and activities of the college for one or more terms.

Expulsion – Exclusion of the student by the Board of Trustees from the District for one or more terms.

Short-term Suspensions, Long-term Suspensions, and Expulsions

Before any disciplinary action to suspend, or expel is taken against a student, the following procedures will apply:

Notice – The President/Superintendent or designee will provide the student with written notice of the conduct warranting the discipline. The written notice will include the following:

- the specific section of the Standards of Student Conduct that the student is accused of violating.
- a short statement of the facts supporting the accusation.
- the right of the student to meet with the Dean of Student Services or designee to discuss the accusation, or to respond in writing.
- the nature of the discipline that is being considered.

Time limits – The notice must be provided to the student within 20 days of the date on which the administration of the college became aware of the conduct; in the case of continuous, repeated, or ongoing conduct of which the administration of the college has become aware, the notice must be provided within 20 days of the date on which the administration became aware that the conduct occurred which led to the decision to take disciplinary action.

Hearing Officer Meeting – The student is to have a hearing with the Dean of Student Services or designee serving as the district hearing officer. The hearing must occur no sooner than five days after the notice is provided. At the meeting, the student must again be told the facts leading to the accusation, and must be given an opportunity to respond verbally or in writing to the accusation.

Short-term Suspension – Within five days after the meeting described above, the President/Superintendent or designee shall, pursuant to a recommendation from the Dean of Student Services or designee, decide whether to impose a short-term suspension, whether to impose some lesser disciplinary action, or whether to end the matter. Written notice of the President/Superintendent's or designee's decision shall be provided to the student. The notice will include the length of time of the suspension, or the nature of the lesser disciplinary action. The President/Superintendent or designee decision on a short-term suspension shall be final.

Long-term Suspension – Within five days after the meeting described above, the President/Superintendent or designee shall, pursuant to a recommendation from the Dean of Student Services or designee, decide whether to impose a long-term suspension. Written notice of the President/Superintendent or designee decision shall be provided to the student. The notice will include the right of the student to request a formal hearing before the hearing panel before a long-term suspension is imposed, and a copy of this policy describing the procedures for a hearing. The request must be made in writing to the Vice President of Student Services or designee.

Expulsion – Within 10 days after the meeting described above, the President/Superintendent or designee shall, pursuant to a recommendation from the Dean of Student Services or designee, decide whether to recommend expulsion to the Board of Trustees. Written notice of the decision shall be provided to the student. The notice will include the right

Smoking, including the use of electronic cigarettes or other emission-producing products or devices, is prohibited within 20 feet of any exit, entrance, operable window, or ventilation intake of any campus building or structure; in any enclosed area on campus, including lobbies, lounges, courtyards, waiting areas, stairwells, and restrooms that are a part of any building or structure; and in all District vehicles, including gasoline or electric carts.

of the student to request a formal hearing before the hearing panel before expulsion is imposed, and a copy of this policy describing the procedures for a hearing. The request must be made in writing to the Vice President of Student Services or designee.

A decision of the Board of Trustees to impose expulsion shall be reached no later than the next regularly scheduled regular meeting of the Board after receipt of the recommended decision.

Disciplinary Decisions, Sanctions, and Conditions

Written or Verbal Reprimand – May be initiated by any faculty or College manager and sent in writing to the Office of Student Conduct and Grievances. The Disciplinary Officer (Dean of Student Services or designee) shall determine if there exists good and sufficient reason to initiate disciplinary action and the student should be notified of such actions.

Disciplinary Probation – Initiated by the Dean of Student Services or designee. The nature of the misconduct, dates, times, places, and the length of probation shall be placed in writing. Written copies shall be sent to the student and copies filed with the Office of Student Conduct and Grievances.

Removal from Class (Education Code Section 76032) – Any instructor may order a student removed from his/her class for the day of the removal and the next class meeting. The instructor shall immediately report the removal to the Faculty Coordinator for Student Conduct and Grievance and complete a Student Conduct Incident Form. The Faculty Coordinator or designee shall arrange for a conference between the student and the instructor regarding the removal. If the instructor or the student requests, the Faculty Coordinator or designee shall attend the conference. The student shall not be returned to the class during the period of the removal without the concurrence of the instructor. Nothing herein will prevent the Faculty Coordinator, or designee from recommending further disciplinary procedures in accordance with these procedures based on the facts which led to the removal.

Immediate Interim Suspension (Education Code Section 66017) – The President/Superintendent or designee may order immediate suspension of a student where he or she concludes that immediate suspension is required to protect lives or property and to ensure the maintenance of order. In cases where an interim suspension has been ordered, the time limits contained in these procedures shall not apply, and all hearing rights, including the right to a formal hearing where a long-term suspension or expulsion is recommended, will be afforded to the student within ten days.

Withdrawal of Consent to Remain on Campus – The President/Superintendent or designee may notify any person for whom there is a reasonable belief that the person has willfully disrupted the orderly operation of the campus that consent to remain on campus has been withdrawn. If the person is on campus at the time, he/she must promptly leave or be escorted off campus. If consent is withdrawn by the Dean of Student Services or designee, a written report must be promptly made to the President/Superintendent or designee.

The person from whom consent has been withdrawn may submit a written request for a hearing on the withdrawal within the period of the withdrawal. The request shall be granted not later than seven days from the date of receipt of the request. The hearing will be conducted in accordance with the provisions of this procedure relating to interim suspensions.

In no case shall consent be withdrawn for longer than 14 days from the date upon which consent was initially withdrawn.

All applicable conditions of a withdrawal of consent to remain on campus, suspension, or expulsion in effect when a break occurs in the conducting of College business (both in the classroom and in the administrative offices) remain in effect during the break unless specifically excepted in writing by the President/Superintendent or designee.

A withdrawal of consent to remain on campus, suspension, or expulsion prohibits both physical presence on the campus and at a facility or activity operated by the College and any type of online or distance education presence or participation in classes, activities, and/or operations of the College.

Any person as to whom consent to remain on campus has been withdrawn who knowingly reenters the campus during the period in which consent has been withdrawn, except to come for a meeting or hearing, is subject to arrest (Penal Code Section 626.4).

Clearance to Return – Prior clearance to return to the college (in-person and/or online) may be required. Clearance requirements may include completion of educational or other courses or processes as specified in the sanction decision. This requirement may include confirmation that the individual is ready for the college classroom and/or that the individual's continued presence on campus is not a threat to himself/herself, others, and/or the property of the District or others.

Hearing Panel

The hearing panel for any disciplinary action subject to hearing by a panel shall be composed of one administrator, two faculty members, and two students.

Unless he or she determines to keep the prior year's appointees in place, the president of the Faculty Senate, and the President of ASCC shall each, at the beginning of the academic year, establish a list of at least five persons who will serve on student disciplinary hearing panels. The President/Superintendent or designee shall appoint the hearing panel from the names on these lists plus the Dean of Student Services or designee. However, no administrator, faculty member, or student who has any personal involvement in the matter to be decided, who is a necessary witness, or who could not otherwise act in a neutral manner shall serve on a hearing panel.

The hearing panel shall be responsible to the President/Superintendent for reviewing and making a recommendation to the President/Superintendent or designee.

Membership of the hearing panel shall include the following:

1. Two members of the instructional staff appointed by the Faculty Senate.
2. Two ASCC Student Court Justices, or two other students who meet the minimum eligibility requirements to hold office in the ASCC if such justices are party to the matter at hand or are otherwise unavailable to serve, appointed by the ASCC Court Chief Justice or by the Associated Students President, if the Court Chief Justice is a party to the matter.
3. The Disciplinary Officer/Dean of Student Services or designee shall serve as the Chairperson of the Hearing Panel, but will not vote except to break a tie.

STUDENT SERVICES AND POLICIES

Procedures for a Hearing, Disposition, and Imposition of Sanctions

1. Written notice of a hearing shall be mailed or delivered to the student. A hearing must be held within ten days of the suspension if the suspension is immediate.
2. Notice shall include date and place of hearing, a statement of all charges, a copy of applicable policies and procedures, the opportunity of the student to appear in person, and the opportunity to present oral and documentary evidence.
3. Hearings shall be conducted in the manner consistent with the orderly conduct of the affairs of the College, and which seems to the hearing panel to be most conducive to the determination of the truth.
4. The members of the hearing panel shall be provided with a copy of the accusation against the student and any written response provided by the student before the hearing begins.
5. The facts supporting the accusation shall be presented by a college representative who shall be the Dean of Student Services or designee.
6. The college representative and the student may call witnesses and introduce oral and written testimony relevant to the issues of the matter.
7. Formal rules of evidence shall not apply. Any relevant evidence shall be admitted.
8. Unless the hearing panel determines to proceed otherwise, the college representative and the student shall each be permitted to make an opening statement. Thereafter, the college representative shall make the first presentation, followed by the student. The college representative may present rebuttal evidence after the student completes his/her evidence. The burden shall be on the college representative to prove by the preponderance of the evidence that the facts alleged are true.
9. The student may represent himself/herself, and may also have the right to be represented by a person of his/her choice, except that the student shall not be represented by an attorney unless, in the judgment of the hearing panel, complex legal issues are involved. If the student wishes to be represented by an attorney, a request must be presented not less than five days prior to the date of the hearing. If the student is permitted to be represented by an attorney, the college representative may request that legal counsel to the college participate in his/her place. The hearing panel may also request legal assistance; any legal advisor provided to the panel may sit with it in an advisory capacity to provide legal counsel but shall not be a member of the panel nor vote with it.
10. Hearings shall be closed and confidential unless the student requests that it be open to the public. If more than one student's case is under consideration, any and all such other students must also request that the hearing be open to the public in order to make it open to the public. Any such request must be made no less than five days prior to the date of the hearing. Requests contrary to state or federal law or to the safety of the college or participants shall not be approved, subject to appeal to the President/Superintendent or designee.
11. In a closed hearing, witnesses shall not be present at the hearing when not testifying, unless all parties and the panel agree to the contrary.
12. All testimony shall be taken under oath; the oath shall be administered by the hearing panel chair. Written statements of witnesses under penalty of perjury shall not be used unless the witness is unavailable to testify. A witness who refuses to be tape recorded shall not be considered unavailable for the purposes of this section.
13. The hearing shall be recorded by the District either by tape recording or stenographic recording. The official recording shall be the only recording made. No witness who refuses to be recorded may be permitted to give testimony. In the event the recording is by tape recording, the hearing panel chair shall, at the beginning of the hearing, ask each person present to identify themselves by name, and thereafter shall ask witnesses to identify themselves by name. The recording shall remain in the custody of the District at all times, unless released to a professional transcribing service. The student may request a copy of the recording. Transcripts may be redacted to comply with law, policies, and to protect the privacy and/or safety of individuals.
14. Within five days following the close of the hearing, the hearing panel shall prepare and send to the President/Superintendent or designee a written decision. The decision shall include specific factual findings regarding the accusation, and shall include specific conclusions regarding whether any specific section of the Standards of Student Conduct were violated. The decision shall also include a specific recommendation regarding the sanction to be imposed, if any. The decision shall be based only on the record of the hearing, and not on matter outside of that record. The record consists of the original accusation, the written response, if any, of the student, and the oral and written evidence produced at the hearing.

President/Superintendent's Decision:

Long-term suspension – Within five days following receipt of the hearing panel's recommended decision, the President/Superintendent or designee shall render a final written decision. The President/Superintendent or designee may accept, modify, or reject the findings, decisions and recommendations of the hearing panel. If the President/Superintendent or designee modifies, or rejects the hearing panel's decision, the President/Superintendent or designee shall review the record of the hearing, and shall prepare a new written decision which contains specific factual findings and conclusions. The decision of the President/Superintendent or designee shall be final.

Expulsion – Within ten days following receipt of the hearing panel's recommended decision, the President/Superintendent or designee shall render a written recommended decision to the Board of Trustees. The President/Superintendent or designee may accept, modify, or reject the findings, decisions and recommendations of the hearing panel. If the President/Superintendent or designee modifies, or rejects the hearing panel's decision, he/she shall review the record of the hearing, and shall prepare a new written decision which contains specific factual findings and conclusions. The President/Superintendent's or designee's decision for expulsion shall be forwarded to the Board of Trustees.

Board of Trustees Decision:

Expulsion – A decision of the Board of Trustees to impose expulsion shall be reached no later than the next regularly scheduled regular meeting of the Board after receipt of the recommended decision.

STUDENT SERVICES AND POLICIES

The Board shall consider an expulsion recommendation in closed session, unless the student has requested that the matter be considered in a public meeting in accordance with these procedures. (Education Code Section 72122)

The student shall be notified in writing, by registered or certified mail to the address last on file with the District, or by personal service, at least three days prior to the meeting, of the date, time, and place of the Board's meeting.

The student may, within forty-eight hours after receipt of the notice, request that the hearing be held as a public meeting.

Even if a student has requested that the Board consider an expulsion recommendation in a public meeting, the Board will hold any discussion that might be in conflict with the right to privacy of any student other than the student requesting the public meeting in closed session.

The Board may accept, modify, or reject the findings, decisions and recommendations of the President/Superintendent and/or the hearing panel. If the Board modifies or rejects the decision, the Board shall review the record of the hearing, and shall prepare a new written decision which contains specific factual findings and conclusions. The decision of the Board shall be final.

The final action of the Board on the expulsion shall be taken at a public meeting, and the result of the action shall be a public record of the District.

Time Limits – Any times specified in these procedures may be shortened or lengthened if there is mutual concurrence by all parties.

These procedures may change from time to time and may be superseded by current state and federal laws and regulations. Otherwise, the College Catalog, which is updated annually, contains the most recent information regarding student discipline procedures.

Also see BP 5500 titled Standards of Student Conduct.

STUDENT CONDUCT AND GRIEVANCE

Information regarding student rights and responsibilities is available from the Dean of Student Services. The dean is available to meet with you to explain the "System" and your rights with regard to student grievances, student conduct and academic-related student grievances. This office also serves as a source of information and/or referral for all student problems and concerns. The office is located in the Office of Student Affairs. Inquiries should be directed to the Dean of Student Services in the Office of Student Affairs or by calling (562) 860-2451, ext. 2445.

TITLE IX POLICY

No person in the United States shall, on the basis of sex, be excluded from participation in, be denied the benefits of, or be subject to discrimination under any educational program or activity receiving Federal financial assistance (Title IX of the Educational Amendments of 1972 to the 1964 Civil Rights Act).

It is the policy of the State of California to afford all persons, regardless of their sex or gender identity, equal rights and opportunities in the educational institutions of the state (Educational Code sections 200 – 264).

In compliance with Title IX and Board Policy 3410, the District's educational programs and activities are offered to the community without regard to sex or gender identity. Title IX prohibits discrimination based on sex in educational programs and activities that receive Federal financial assistance. Examples of programs and activities that are subject to Title IX include admissions, recruitment, financial aid, academic programs, athletics and employment. Title IX also protects students from sexual harassment, including sexual violence, such as rape, other forms of sexual assault, sexual battery and sexual coercion.

Title IX Coordinator

Cerritos College's Title IX Coordinator monitors and oversees the college's compliance with Title IX and the prevention of sex harassment and discrimination, including the coordination of education and training activities and the response to Title IX complaints. Students, faculty, administrators, staff, visitors, or others who participate in the District's educational programs and activities with questions, concerns, or complaints about sex discrimination, sex harassment or sexual misconduct are encouraged to contact the Title IX Coordinator at:

Dr. Valyncia C. Raphael

Director of Diversity, Compliance, and Title IX Coordinator
Office of Human Resources

Cerritos College, 11110 Alondra Blvd., Norwalk, CA 90650

(562) 860-2451, ext. 2276; (562) 467-5003 Fax

<https://www.cerritos.edu/title-ix/>



STUDENT SERVICES AND POLICIES

EQUAL OPPORTUNITY POLICY

Cerritos College does not discriminate in educational and employment on the basis of ancestry, age, color, disability (physical and mental, includes HIV and AIDS), genetic information, gender identity, gender expression, marital status, medical condition (genetic characteristics, cancer or a record or history of cancer), military or veteran status, national origin, race, religion (includes religious dress and grooming), sex/gender (includes pregnancy, childbirth, breastfeeding and/or related medical conditions), sexual orientation, or on the basis of perception of having one or more of the foregoing characteristics, or based on association with a person or group with one or more of these actual or perceived characteristics, or any other status protected by law in person or in an online environment and, when the victim or victims are associated with the District, whether or not the location is associated with the District.

The District is strongly committed to achieving staff diversity and the principles of equal opportunity education and employment. The District encourages a diverse pool of applicants for employment and does not discriminate in any of its policies, procedures, or practices. The District encourages applications from all segments of qualified people and Board Policies 3410 and 3420 prohibit discrimination and promote equal opportunity.

Questions concerning the application of the policy may be addressed to Dr. Valyncia C. Raphael in the Office of Human Resources by calling (562) 860-2451, ext. 2276.

SECTION 504/508/AMERICANS WITH DISABILITIES ACT

Under Section 504/508/ADA of the Rehabilitation Act of 1973 and Title II of the Americans with Disabilities Act of 1990, Cerritos College will take all necessary steps to ensure that no student with a verified disability is denied the benefits of, excluded from participation in, or otherwise subjected to discrimination because of the absence of auxiliary aids or academic accommodations. The decision to authorize such aids or accommodations is the responsibility of the Disabled Student Programs and Services (DSPS) Dean,

Disability Specialist, or DSPS counselor after a review of documentation verifying the disability and any resulting educational limitations.

It is the responsibility of the student with a verified disability and resulting educational limitations to apply for DSPS assistance in the Liberal Arts/DSPS building by completing the DSPS form entitled “Disabled Student Programs and Services – New Student Application”. The request should be completed with adequate notice provided for an effective response, especially during busy times such as the start of the semester. All authorized accommodations are determined via an interactive process which includes the DSPS specialist, the student, and review of disability documentation. It is the student’s responsibility to request in advance to receive the authorized accommodations each semester. If the instructor denies the classroom-related request(s) the DSPS Dean or designee will intervene with the appropriate academic staff and attempt to resolve the matter. In the event of continued denial of an accommodation request or request for course substitution or waiver, DSPS will provide the student with the Academic Accommodations Policy and related procedures/forms. The DSPS Dean or designee will concurrently inform the student that he/she has the right to file a complaint under the College’s discrimination complaint procedure and/or the Office for Civil Rights, and will provide the student with the information necessary to do so. Inquiries regarding DSPS or the District’s non-discrimination policy relative to students, employees, or applicants with disabilities should contact the Director of Diversity, Compliance, and Title IX Coordinator at extension 2276, in the Office of Human Resources.

SECTION 504/508 COMPLAINT PROCEDURE

The student should first discuss the complaint regarding discrimination due to a disability with the individual(s) involved or with the Director of Diversity, Compliance, and Title IX Coordinator at extension 2276. Alternatively the student may submit a complaint electronically at www.cerritos.edu/dsps-complaint.



ALCOHOL AND DRUG POLICY

BP 3550 – DRUG AND ALCOHOL FREE ENVIRONMENT AND DRUG AND ALCOHOL ABUSE PREVENTION PROGRAM

The District shall maintain a drug and alcohol free campus/workplace environment for students and employees. The District prohibits the unlawful possession, use, or distribution of illicit drugs and/or alcohol by students and employees.

The unlawful manufacture, distribution, dispensing, possession, or use of a controlled substance is prohibited in all facilities under the control and use of the District.

Any student who violates this policy will be subject to disciplinary action, which may include, but is not limited to, referral to an appropriate rehabilitation program, suspension or expulsion. Any employee who violates this policy will be subject to disciplinary action up to and including termination. The District may refer students and employees who violate this policy to the Campus Police or other appropriate law enforcement agency for appropriate criminal action.

The President/Superintendent shall assure that the District annually distributes the information required by the Drug-Free Schools and Communities Act Amendments of 1989 to all students and employees and that the District complies with other requirements of the Act.

The President/Superintendent shall ensure that a biennial report is prepared to review the effectiveness of the District's policies and programs in maintaining a drug and alcohol free campus and workplace environment.

The District is committed to providing its employees and students with an alcohol and drug-free campus and workplace environment. It emphasizes prevention and intervention through education.

Health Risks That May Be Associated with the Use of Illicit Drugs and the Abuse of Alcohol

- Partner and/or child abuse.
- Unintended injuries or death, including motor vehicle crashes.
- Sexual assault, including rape, sexual battery, and threat of sexual assault; dating violence; domestic violence; stalking; and failure to have affirmative consent.
- Being hit, otherwise assaulted, violently attacked, and/or murdered by another under the influence.
- Sexual activity without protection against HIV, hepatitis (A, B, and C), and other STDs.
- Unsafe interactions with medications, including more than 150 medications that should not be mixed with alcohol.
- Binge and other drinking behaviors leading to ingestion of toxic amounts of alcohol, which can lead to alcohol poisoning, with effects including mental confusion, stupor, coma, inability to be roused, vomiting, seizures, slow or irregular breathing, hypothermia, bluish skin color, and paleness, and, if left untreated, seizures, permanent brain damage, and/or death.
- Premature births and low birth weights; alcohol and illicit drug-related birth defects, including fetal alcohol syndrome (FAS) involving severe physical, mental, and behavioral problems; and in the case of prenatal cocaine exposure, a 1.5 times increased likelihood of needing special education services in school.
- Suicide.
- Long-term health problems including liver disease; heart disease; cancers including those of the mouth, throat, larynx (voice box), breast, rectum, and colon; and pancreatitis.
- Homelessness.

Prevention and Intervention Programs

The District provides education and maintains programs and services designed to aid students, employees and their families in receiving assistance for alcohol and/or drug abuse problems. Included in these educational and assistive programs and services are:

- Notification of the dangers of drug use and dependency in the class schedule;
- Mental health services provided to students through the Student Health Services; and
- An Employee Assistance Program (EAP) for employees and their families.

Alcohol and Drug Prohibitions

The unlawful manufacture, distribution, dispensing, possession, or use of alcohol or any controlled substance is prohibited on District property, during District-sponsored field trips, activities or workshops, and in any facility or vehicle operated by the District.

Violation of Board Policy 3550, Drug and Alcohol Free Environment and Drug and Alcohol Abuse Prevention Program, will be addressed by the District. The District will take appropriate action designed to address each specific violation, which may include, but is not limited to:

- Termination of employment,
- Expulsion,
- Referral to Campus Police or other law enforcement agency for prosecution as permitted by law, or
- Mandatory participation in an alcohol or drug abuse assistance or rehabilitation program.

As a condition of employment, employees of the District will have their fingerprints recorded with the California State Department of Justice and any conviction or violations of the law involving drugs and/or alcohol will be reported to Campus Police and to the Office of Human Resource Services pursuant to the requirements of law. In addition, employees must notify the District within five (5) calendar days of any conviction for violation of a criminal drug statute occurring in the workplace. The District is required to report any violations of criminal drug or alcohol statutes that occur in the workplace to the United States Department of Education on an annual basis.

Information regarding legal sanctions under federal, state, and local laws is available in the following locations:

1. Library
2. Office of Human Resources
3. Office of Student Affairs
4. Student Health Services

Alcohol/Drug Abuse Counseling, Treatment, Rehabilitation Information

Referral information and Social Service Directories for Los Angeles and Orange Counties are available in the following locations:

1. Counseling Center, ext. 2231
2. Student Health Services, ext. 2321

CAMPUS PHONE EXTENSIONS

CERRITOS COLLEGE COMMUNICATION CENTER: (562) 860-2451
HOURS: 8:00 am – 7:00 pm, Monday – Thursday; 8:00 am – 4:30 pm, Friday

QUESTION/PURPOSE	CALL (562) 860-2451	EXT. #
Address change	Admissions and Records Office	2211
Admissions and Records	Admissions and Records Office	2211
Assessment/Placement Testing	Multi-Purpose Building	2599
Bookstore	Bookstore	2450
CalWORKs	CalWORKs Office	2593
Career Services	Career Services Center	2356
Child Care	Child Development Center	2583
Community Education	Community Education	5050
Counseling	Counseling Services	(562) 467-5231
Disabled Student Programs and Services	Disabled Student Programs and Services	2335
Distance Education Courses	Distance Education Program	7891
Emergencies	Campus Police	Use emergency phone or dial 911*
Enrollment	Admissions and Records Office	2211
Extended Opportunities Programs and Services	EOPS	2398
Financial Aid and Scholarships	Financial Aid	2397
International Student Advisement	Office of International Student Services	2133
Job Placement	Career Services Center	2366
Library	Library	2430
Lost and Found	Campus Police	2325
Northwood University	Automotive Partners Building	7852
Parking Information	Campus Police	2325
Personal Counseling	Student Health Services	2321
Police Department	Campus Police	2325
Reentry Program	Career Services Center	2362
Refunds	Admissions and Records Office	2211
Student Body Activities	Office of Student Affairs	2473
Student Conduct and/or Grievance Information	Office of Student Affairs	2483
Student Health Services	Student Health Services Center	2321
Student ID Center	Admissions & Records Office	2120
Transfer Center	Counseling Services/Administration Building	2154
Tutoring	Success Center	7891
Veterans Education	Veterans Resource Center	3716
Withdrawing from College	Admissions and Records Office	2211

DIVISIONS

Business, Humanities & Social Sciences Divison	Business Education Building	2752
Counseling Division	Administration Building	(562) 467-5231
Fine Arts & Communications Division	Fine Arts Building	2600
Health Occupations Division	Health Science Building	2550
Health, Physical Education, Dance & Athletics Division	Physical Education Building	2859
Liberal Arts Division	Liberal Arts/DSPS Building	2858
Science, Engineering & Mathematics Division	Physical Science & Technology Building	2660
Technology Division	Physical Science & Technology Building	2900

Emergency phones are found in the following locations and are to be used for emergency purposes only. These phones are a direct line to the campus police department; therefore, when using them please be sure to: identify yourself when placing the call — identify the nature and location of the emergency.

Administration Building	Admissions and Records Office Records Room (Vault) only
Burnight Center Building	Lobby/Elevator, Music Wing/Elevator
Business Education Building	North Wing, South Wing
Cafeteria	Student Center
Classroom Building	Hallway
Fine Arts Complex	1st and 2nd Floors, North and South ends of main corridors
Gym	Southeast Corner
Health Science Building	1st Floor, 2nd Floor, 3rd Floor, East Elevator, West Elevator
Liberal Arts/DSPS Building	Intercoms, 1st and 2nd Floors Next to Elevators
Library	Elevator East Wing
LRC	Near Center Elevator of Upper/Lower Levels
Math/CIS Building	1st and 2nd Floors, East and West ends of main corridors
Multi-Purpose Building	1st Floor, East Exterior near Men's Restroom; 2nd Floor, West End
Physical Education Building	Lobby/Women's Locker Room
Physical Science & Technology Building	1st Floor, West End/East End; 2nd Floor, West End/East End
Science Building	1st Floor, 2nd Floor
Skills Lab	West End/East End
Social Science Building	1st Floor, 2nd Floor, 3rd Floor, Elevator
Weight Training Room	Near Room 3

The emergency phones can be used for any of the following: emergencies, escorts, medical aid, reports of a crime, keys locked in car. From cell phones, reach Campus Police by calling (562) 402-3674 (for 911 emergency calls only).

FINAL EXAM SCHEDULE/ FALL 2019

LOCATION

Examinations will be conducted in the same room used for the regular class meeting.

WEEKEND CLASSES

Saturday and Sunday classes will hold a two-hour final exam on December 14 and 15 on the regular class day, beginning at the regular class time.

Final examinations for all day classes will be held according to this schedule. On the chart below, find the appropriate square which identifies the starting day and time for your class during the regular semester. From this you can determine the date and two-hour time block for your final exam. Check with your instructor if your class day or start time does not appear on this final exam schedule.

LAST DAY OR EVENING FOR CLASSROOM INSTRUCTION IS FRIDAY, DECEMBER 13.

EXAM TIME	DECEMBER 16 Monday	DECEMBER 17 Tuesday	DECEMBER 18 Wednesday	DECEMBER 19 Thursday	DECEMBER 20 Friday
6 AM TO 8 AM	6:00 MTWTH 6:30 MW	6:30 TTH	6:30 DAILY	6:30 TH	6:30 F
8 AM TO 10 AM	7:00 MW 7:00 MTWTH 7:30 MW 8:00 M 8:00 MW 8:30 MW	7:00 TTH 7:15 TTH 7:30 TTH 8:00 T 8:30 T	7:00 MWF 8:00 W 8:00 WF 8:00 DAILY 8:30 WF	8:00 TH 8:00 TTH 8:00 MTWTH 8:30 TTH 8:30 DAILY	7:30 F 8:00 F 8:00 MWF 8:30 MF 8:30 F
10 AM TO 12 PM	9:00 M 9:00 MTWTH 9:30 M 10:00 M 10:00 MW 10:30 MWF 10:30 MTWTH	9:00 T 9:00 TTH 9:30 T 9:30 TTH 9:45 TTH 10:00 T	9:00 W 9:00 MW 9:00 MWF 9:30 W 9:30 MW 10:00 WF	9:00 TH 9:00 TWTH 9:30 TH 10:00 TTH 10:30 TTH	9:00 F 9:30 F 10:00 F
12 PM TO 2 PM	11:00 M 11:00 MW 11:00 MTH 11:30 M 11:30 MW 11:30 MTWTH 12:00 M 12:00 MW 12:30 M	11:00 T 11:00 TTH 12:00 T 12:00 MTWTH 12:30 T 12:30 MTWTH	11:00 W 11:00 WF 11:00 MWF 12:00 W 12:00 MWF 12:30 W 12:30 MW 12:30 WF	11:00 TH 11:30 TH 12:00 TH 12:00 TTH 12:30 TH 12:30 MTH 12:30 TTH 12:30 WTH	11:00 F 12:00 F 12:30 F 12:00 DAILY 12:30 DAILY
2 PM TO 4 PM	1:00 M 2:00 M 2:00 MW 2:00 MWF 2:00 DAILY 2:30 M 2:30 MW	1:00 T 1:00 TTH 1:30 T 1:30 TTH 2:00 T 2:30 T 2:30 TTH	1:00 W 1:00 MW 1:00 MWF 1:30 W 1:30 MW 2:00 W	1:00 TH 1:00 DAILY 1:00 MTWTH 1:30 MTWTH 2:00 TH 2:00 TTH 2:00 MTWTH 2:30 TH	1:00 F 1:00 MF 1:00 WF 1:30 F 2:00 F 2:00 MWF 2:30 DAILY
4 PM TO 6 PM	3:00 M 3:00 MW 3:00 MTWTH 3:15 MW 3:30 M 3:30 MW 3:30 MTWTH 4:00 M	3:00 T 3:00 TTH 3:30 T 3:30 TTH 4:00 T 4:00 DAILY	3:00 W 3:00 MWF 3:30 W 4:00 W 4:00 MW 4:00 MTWTH 4:30 MW	3:00 TH 3:30 TH 4:00 TH 4:00 TTH 4:30 TTH	3:00 F 3:00 DAILY 4:00 F 4:30 WF 4:30 DAILY
EXTENDED DAY FINALS					
6 PM TO 8 PM	5:00 M 5:00 MW 5:30 M 6:00 M 6:00 MW 6:30 M 6:30 MW	5:00 T 5:30 T 5:30 TTH 6:00 T 6:00 TTH 6:30 T 6:30 TTH	5:00 W 5:30 W 5:30 MW 6:00 W 6:30 W	5:00 TH 5:00 TTH 5:30 TH 5:30 MTWTH 6:00 TH	5:00 F 5:00 MF 5:30 F 6:00 F 6:30 F
8 PM TO 10 PM	7:00 M 7:00 MW 7:00 MTWTH 7:30 M 7:30 MW 8:00 M 8:00 MW	7:00 T 7:00 TTH 7:30 T 7:30 TTH 8:00 T 8:00 TTH 8:30 TTH	7:00 W 7:00 WTH 7:30 W	7:00 TH 7:00 THF 7:30 TH	7:00 F 7:30 F

SPECIAL SITUATIONS:

1. These exam times are subject to change and will be announced by instructors.
2. Classes scheduled for a double period on one day and a single period another day (e.g. 8 - 10 T Th and 9 Th) will have the final examination scheduled for that hour (8) on which the class meets both days (T Th) (for example, exam will be from 8 - 10 T).
3. Classes scheduled in a block on a single day (e.g. 9 - 12 T or 12 - 4 F) will take the final examination scheduled for the first hour on which the class meets (for example, exam time will be from 10 - 12 T for the 9 - 12 T class and 12 - 2 F for the 12 - 4 F class).
4. Students whom because of personal illness are unable to take examinations as scheduled must make individual arrangements with the instructor involved.

EASY REFERENCE COURSE LISTINGS

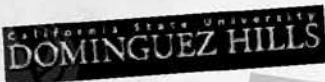
COURSE	PAGE	COURSE	PAGE
A		I	
Access Learning	31	Interdisciplinary Studies	68
Accounting	31	J	
Administration of Justice	32	Japanese	68
Adult Education	103	Journalism	69
American Sign Language	32	K	
Anatomy and Physiology	33	Kinesiology	69
Anthropology	33	L	
Architecture	34	Law	70
Art and Design	34	Library Resources	70
Astronomy	36	M	
Athletics	37	Machine Tool Technology	71
Autobody/Collision and Repair	37	Mathematics	71
Automotive Technology	38	Medical Assisting	76
B		Microbiology	77
Biology	39	Music	77
Business Administration	40	N	
Business Communications	43	New Product Development	79
C		Nursing	79
Chemistry	44	P	
Child Development	45	Paralegal (see Law)	70
Chinese	46	Pharmacy Technology	81
Communications Studies (Formerly Speech)	46	Philosophy	81
Computer and Information Sciences	48	Photography	82
Cosmetology	50	Physical Education	82
Counseling	51	Physical Science	85
Culinary Arts	52	Physical Therapist Assistant	86
D		Physics	86
Dance	52	Plastics/Composites	87
Dental Assisting	54	Political Science	87
Dental Hygiene	54	Psychology	88
Drafting (see Engineering Design Technology)	57	R	
E		Radio-Television	89
Earth Science	55	Reading and Study Skills	89
Economics	55	Real Estate	90
Education	56	S	
Educational Technology	56	Sociology	90
Engineering	56	Spanish	90
Engineering Design Technology	57	Speech (Currently Communication Studies)	91
Engineering Technology	57	Speech-Language Pathology	93
English	57	T	
English as a Second Language	63	Theatre Arts	93
F		W	
Film	64	Welding	94
Finance	65	Women's and Gender Studies	95
French	65	Woodworking Manufacturing Technology	96
G		Z	
Geography	65	Zoology	97
Geology	66		
German	66		
H			
Health Education	66		
Health Occupations	67		
History	67		
Humanities	68		

Cerritos College Transfer Center Summer-Fall Time Line



June 1 - 30, 2019
 CSU application priority filing period for Winter quarter 2020 applicants, if open.

November 1 - 30, 2019
 UC application priority filing period for Fall 2020 semester/quarter applicants. Attend UC application workshops.
www.apply.universityofcalifornia.edu



July 1 - 31, 2019
 UC application priority filing period for Winter quarter 2020 applicants, if open. Begin brainstorming on UC personal insight questions.

October 1 - November 30, 2019
 CSU application priority filing period for Fall 2020 semester/quarter applicants. Attend CSU application workshops.
www.calstate.edu/apply



August 1 - 31, 2019
 CSU application priority filing period for Spring semester 2020 applicants, if open. UC application for Fall 2020 opens. Begin scholarship research and applications.

September 2019
 Continue scholarship research and applications. UC TAG filing period Fall 2020.
uctap.universityofcalifornia.edu



Cerritos College Transfer Center

Located in the Administration Building (AD), West Quad
 Monday through Thursday, 8 a.m. - 7 p.m.; Friday, 8 a.m. - 2 p.m. Office hours are subject to change.
 (562) 860-2451, ext. 2154 • www.cerritos.edu/transfer

