



**TWO CERTIFICATES OF ACHIEVEMENT ARE AVAILABLE**

- **ENGINEERING DESIGN TECHNOLOGY**
- **ENGINEERING DESIGN AND PRODUCTION TECHNOLOGY**

**AA DEGREE IS ALSO AVAILABLE**

**ENGINEERING DESIGN TECHNOLOGY CERTIFICATE OF ACHIEVEMENT**

**Core Courses**

- ENGT 116 Blueprint Reading (2 units)..... Completed
- ENGT 117 Geometrical Dimensioning and Tolerancing (2 units)..... Completed
- ENGT131 Design Fundamentals Including 3-D modeling (3 units)..... Completed
- ET 101 Principles of Engineering Technology (3 units) ..... Completed
- MTT56 CNC Shop Inspection (2 units)..... Completed

**And choose any of the courses listed below, for a total of at least 4 units:**

- ARCH 213 Introduction to 3-D Computer Aided Graphics (3.5 units)..... Completed
- ENGT 103 Introduction to Engineering Design Using Inventor (3 units)..... Completed
- ENGT 137 Industrial Design and 3-D Modelling in Fusion360 (4 units)..... Completed
- ENGT 138 Introduction to Engineering Design Using AutoCAD (4 units)..... Completed
- ENGT 139 Cloud Based 3-D Modeling with OnShape (4 units) ..... Completed
- ENGT 257 Advanced Modeling Using Inventor (3.5 units)..... Completed
- ENGT 259 SolidWorks Introduction (4 units)..... Completed
- ENGT 260 Advanced Modeling Using SolidWorks (4 units) ..... Completed

**Total Core Requirement: 16-20 units**

**ENGINEERING DESIGN AND PRODUCTION TECHNOLOGY**

- ENGT 116 Blueprint Reading (2 units)..... Completed
- ENGT 117 Geometrical Dimensioning and Tolerancing (2 units) ..... Completed
- ENGT 131 Design Fundamentals Including AutoCAD (3 units) ..... Completed
- ENGT 237 Statics and Strength of Materials (3 units)..... Completed
- MTT 62 Fixture Tooling (2 units)..... Completed
- MTT 68 Computer-Assisted Inspection Using Verisurf (2 units)..... Completed
- NPD 103 Tooling and Materials for New Product Development (3 units)..... Completed
- NPD 105 Mechatronics Integration in New Product Development (3 units) ..... Completed
- PMT 100 Plastics Technology (2.5 units)..... Completed
- ENGT 259 SolidWorks (4 units)..... Completed
- **and** ENGT 260 Advanced Modeling Using SolidWorks (4 units) ..... Completed
- **or** ENGT 257 Advanced Modeling Using Inventor (4 units) ..... Completed
- **and** ENGT 103 Introduction to Engineering Design Using Inventor (3 units) ..... Completed
- **or** ENGT 138 AutoCAD (4 units) ..... Completed
- **and** ENGT 153 Machine Design Applications Using Solid Modeling (3 units) ..... Completed

**Total Certificate Requirement: 29.5 – 30.5 Units**

**New Students and/or 1<sup>st</sup> Semester Students**

can take the recommended classes

- ENGT 103 (3 units) Introduction to Engineering Design Using Inventor
- ENGT 116 (2 units) Blueprint Reading
- ENGT 131 (3 units) Design Fundamentals Including Solid Modeling
- ENGT 138 (4 units) AutoCAD
- ENGT 259 (4 units) SolidWorks
- ET 101 (3 units) Principles of Engineering Technology
- NPD 103 (3 units) Tooling and Materials for New Product Development
- PMT 100 (2.5 units) Plastics Technology

**2<sup>nd</sup> Semester Students and/or Continuing Students**

may take any of the following classes in conjunction with the 1<sup>st</sup> Semester recommended classes and/or in later pursuit of certificate

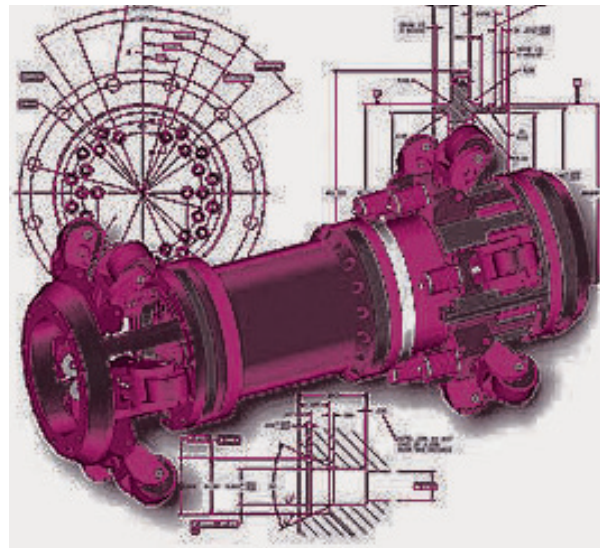
- ENGT 117 (2 units) Geometrical Dimensioning and Tolerancing
- ENGT 153 (3 units) Machine Design Applications Using Solid Modeling
- ENGT 237 (3 units) Statics and Strength of Materials
- ENGT 257 (4 units) Advanced Modeling Using Inventor
- ENGT 260 (4 units) Advanced Modeling Using SolidWorks
- MTT 56 (2 units) CNC Shop Inspection
- MTT 62 (2 units) Fixture Tooling
- MTT 68 (2 units) Computer-Assisted Inspection Using Verisurf
- NPD 105 (3 units) Mechatronics Integration in New Product Development

**Interested in enrolling at Cerritos College?**

Please refer to the step-by-step enrollment process:  
[www.cerritos.edu/futurestudents](http://www.cerritos.edu/futurestudents)

**Want to apply to get your certificate?**

1. Make sure you meet the requirements for the Certificate Determine which form to fill out and download the form at: [www.cerritos.edu/admissions-and-records](http://www.cerritos.edu/admissions-and-records)
  - Petition for Certificate: Petition to graduate with a Certificate of Achievement
2. Fill out the appropriate form and meet with a counselor
  - Make an appointment by calling (562) 860-2451, ext. 2231 or use Online Counseling at: [www.cerritos.edu/counseling/online-orientation.htm](http://www.cerritos.edu/counseling/online-orientation.htm).



**For detailed course descriptions, please refer to the current General Catalog: [www.cerritos.edu/catalog](http://www.cerritos.edu/catalog)**

11110 Alondra Blvd., Norwalk, CA 90650  
[www.cerritos.edu/engt](http://www.cerritos.edu/engt)