

**TWO CERTIFICATES OF ACHIEVEMENT ARE AVAILABLE**

- **ENGINEERING DESIGN TECHNOLOGY**
- **ENGINEERING DESIGN AND PRODUCTION TECHNOLOGY**

**FOUR VERIFICATIONS OF COMPLETION ARE AVAILABLE**

- **MACHINE DESIGN AND MANUFACTURING**
- **3-D PARAMETRIC MODELING DESIGN AND PRESENTATIONS**
- **SHEET METAL LAYOUT APPLICATIONS WITH 3-D PARAMETRIC SOLID MODELING**
- **ENGINEERING DESIGN AND PRODUCTION TECHNOLOGY**

**AA DEGREE IS ALSO AVAILABLE**



**ENGINEERING DESIGN TECHNOLOGY CERTIFICATE OF ACHIEVEMENT**

•	ENGT 116	Blueprint Reading (2 units).....	Completed	<input type="checkbox"/>
•	ENGT 117	Geometrical Dimensioning and Tolerancing (2 units).....	Completed	<input type="checkbox"/>
•	ENGT 131	Design Fundamentals Including AutoCAD (3 units).....	Completed	<input type="checkbox"/>
•	ENGT 237	Statics and Strength of Materials (3 units).....	Completed	<input type="checkbox"/>
•	MTT 62	Fixture Tooling (2 units).....	Completed	<input type="checkbox"/>
•	MTT 68	Computer-Assisted Inspection Using Verisurf (2 units).....	Completed	<input type="checkbox"/>
•	NPD 103	Tooling and Materials for New Product Development (3 units).....	Completed	<input type="checkbox"/>
•	NPD 105	Mechatronics Integration in New Product Development (3 units).....	Completed	<input type="checkbox"/>
•	PMT 100	Plastics Technology (2.5 units).....	Completed	<input type="checkbox"/>

**Total Certificate Requirement: 22.5 Units**

**ENGINEERING DESIGN AND PRODUCTION TECHNOLOGY**

•	ENGT 116	Blueprint Reading (2 units).....	Completed	<input type="checkbox"/>
•	ENGT 117	Geometrical Dimensioning and Tolerancing (2 units).....	Completed	<input type="checkbox"/>
•	ENGT 131	Design Fundamentals Including AutoCAD (3 units).....	Completed	<input type="checkbox"/>
•	ENGT 237	Statics and Strength of Materials (3 units).....	Completed	<input type="checkbox"/>
•	MTT 62	Fixture Tooling (2 units).....	Completed	<input type="checkbox"/>
•	MTT 68	Computer-Assisted Inspection Using Verisurf (2 units).....	Completed	<input type="checkbox"/>
•	NPD 103	Tooling and Materials for New Product Development (3 units).....	Completed	<input type="checkbox"/>
•	NPD 105	Mechatronics Integration in New Product Development (3 units).....	Completed	<input type="checkbox"/>
•	PMT 100	Plastics Technology (2.5 units).....	Completed	<input type="checkbox"/>
•	ENGT 259	SolidWorks (4 units).....	Completed	<input type="checkbox"/>
- and	ENGT 260	Advanced Modeling Using SolidWorks (4 units).....	Completed	<input type="checkbox"/>
- or	ENGT 257	Advanced Modeling Using Inventor (4 units).....	Completed	<input type="checkbox"/>
- and	ENGT 103	Introduction to Engineering Design Using Inventor (3 units).....	Completed	<input type="checkbox"/>
- or	ENGT 138	AutoCAD (4 units).....	Completed	<input type="checkbox"/>
- and	ENGT 153	Machine Design Applications Using Solid Modeling (3 units).....	Completed	<input type="checkbox"/>

**Total Certificate Requirement: 29.5 – 30.5 Units**

## New Students and/or 1<sup>st</sup> Semester Students

can take the recommended classes

- ENGT 103 (3 units) Introduction to Engineering Design Using Inventor
- ENGT 104 (4 units) Principles of Aerospace Design Technology
- ENGT 116 (2 units) Blueprint Reading
- ENGT 131 (3 units) Design Fundamentals Including Solid Modeling
- ENGT 138 (4 units) AutoCAD
- ENGT 259 (4 units) SolidWorks
- NPD 103 (3 units) Tooling and Materials for New Product Development
- PMT 100 (2.5 units) Plastics Technology

## 2<sup>nd</sup> Semester Students and/or Continuing Students

may take any of the following classes in conjunction with the 1<sup>st</sup> Semester recommended classes and/or in later pursuit of certificate

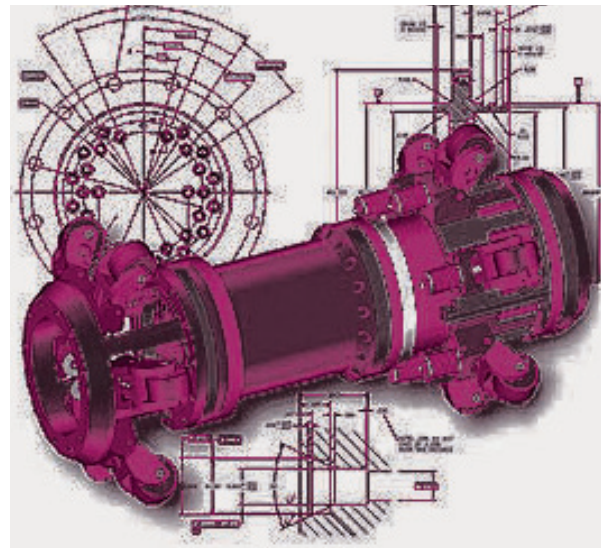
- ENGT 105 (2 units) Product Design, Development, and Prototype Fabrication
- ENGT 117 (2 units) Geometrical Dimensioning and Tolerancing
- ENGT 133 (2 units) Sheet Metal Layout and Applications Using Solid Modeling
- ENGT 153 (3 units) Machine Design Applications Using Solid Modeling
- ENGT 237 (3 units) Statics and Strength of Materials
- ENGT 257 (4 units) Advanced Modeling Using Inventor
- ENGT 258 (4 units) Design and Production Technology Using Solid Modeling
- ENGT 260 (4 units) Advanced Modeling Using SolidWorks
- MTT 62 (2 units) Fixture Tooling
- MTT 68 (2 units) Computer-Assisted Inspection Using Verisurf
- NPD 105 (3 units) Mechatronics Integration in New Product Development

## Interested in enrolling at Cerritos College?

Please refer to the step-by-step enrollment process:  
[www.cerritos.edu/futurestudents](http://www.cerritos.edu/futurestudents)

## Want to apply to get your certificate?

1. Make sure you meet the requirements for the certificate.
  - a. Determine which form to fill out and download the form at:  
[cms.cerritos.edu/admissions-and-records/online-forms/](http://cms.cerritos.edu/admissions-and-records/online-forms/)
    - i. Petition for Certificate: Petition to graduate with a Certificate of Achievement
    - ii. Petition for Degree: Petition to graduate with an Associate in Arts
2. Fill out the appropriate form and meet with a counselor.
  - a. Make an appointment by calling (562) 860-2451, ext. 2231 or use Online Counseling at:  
<http://cms.cerritos.edu/counseling/online-orientation.htm>



11110 Alondra Blvd., Norwalk, CA 90650  
[www.cerritos.edu/engt](http://www.cerritos.edu/engt)



<https://www.facebook.com/CerritosCollegeFabLabs>

For detailed course descriptions, please refer to the current General Catalog: [www.cerritos.edu/catalog](http://www.cerritos.edu/catalog)